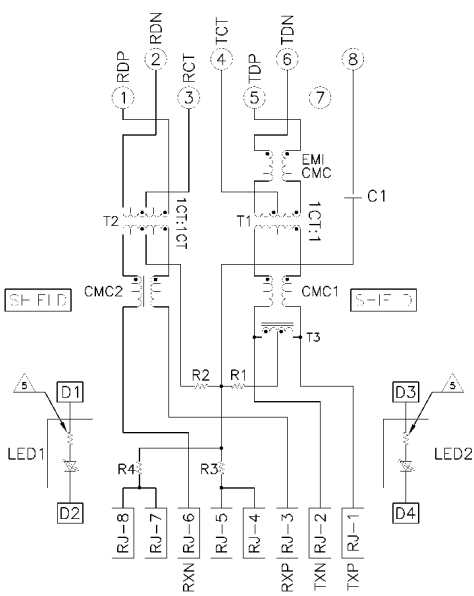
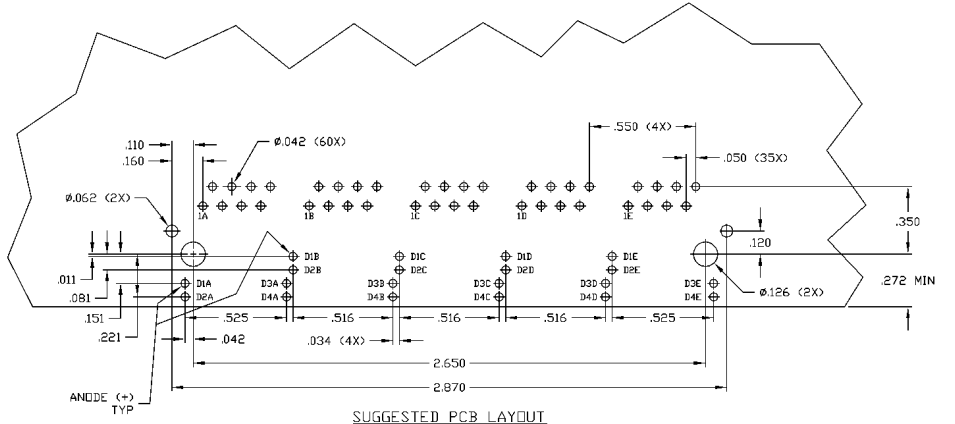
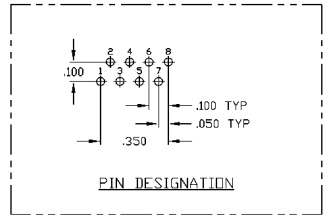


717 SERIES MAGNETIC CIRCUIT



C1 = 1000pF, 2kV CAPACITOR
 R1-R4 = 75 OHMS, 1/16 W RESISTORS



SUGGESTED PCB LAYOUT
 (Component Side)

THIS DRAWING IS A CONTROLLED DOCUMENT		REV: AA	REV: 22	REV: 1	REV: 2	REV: 3	REV: 4	REV: 5	REV: 6	REV: 7	REV: 8	REV: 9	REV: 10	REV: 11	REV: 12	REV: 13	REV: 14	REV: 15	REV: 16	REV: 17	REV: 18	REV: 19	REV: 20	REV: 21	REV: 22
DESCRIPTION		717 SERIES MAGNETIC CIRCUIT		Tyco Electronics Tyco Electronics Corporation																					
REV: AA		REV: 22		REV: 1																					
DATE		10/20/00		DATE																					
DRAWN BY		J. J. J.		DRAWN BY																					
CHECKED BY		J. J. J.		CHECKED BY																					
APPROVED BY		J. J. J.		APPROVED BY																					
PART NO.		A1 00779		PART NO.																					
CUSTOMER DRAWING		CUSTOMER DRAWING		CUSTOMER DRAWING																					