

2 CHANNEL BRIDGE DRIVER IC

■ GENERAL DESCRIPTION

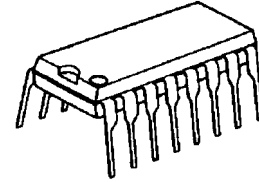
The **NJW4301** is a 2 channel bridge driver for CD, CD-ROM, MO and others. It operates at more than 4V, and then features high output voltage swing.

Its output circuit consists of MOS-FET. The MOS-FET type output realizes lower consumption than bipolar type output, so that radiation design becomes simple and total costs are reduced.

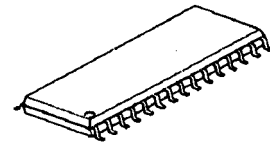
■ FEATURES

- Operating Voltage (V⁺=4V to 12V)
- Low Saturation Output (V_{sat}=±0.5V_{MAX.} at I_O=300mA)
- Supply Current (35mA MAX.)
- 2 channel BTL Output
- Mute Function
- Bi-MOS Technology
- Package Outline DIP16, SDMP30

■ PACKAGE OUTLINE

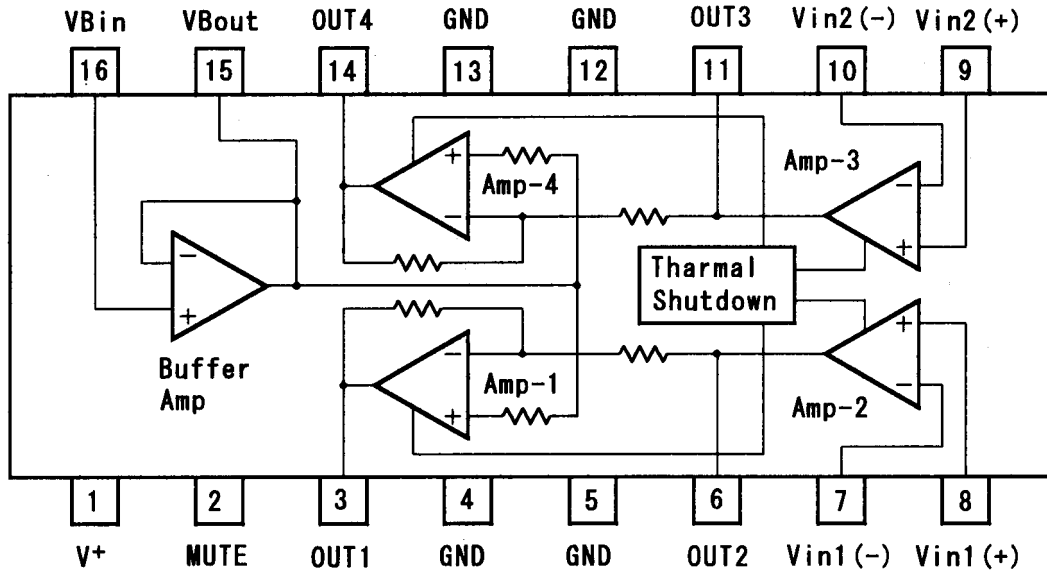


NJW4301D



NJW4301M

■ BLOCK DIAGRAM



(Package DIP-16)

NJW4301

■ ABSOLUTE MAXIMUM RATINGS ($T_a=25^\circ\text{C}$)

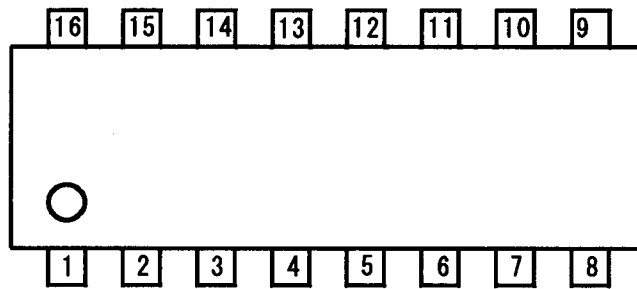
PARAMETER	SYMBOL	RATINGS	UNIT
Supply Voltage	V^+	15	V
Operating Current	I_o	1	A
Mute Terminal Current	I_M	1.0	mA
Power Dissipation	P_D	(DIP16) 1.9 (SDMP30) 1.8 (note)	W
Operating Temperature Range	T_{opr}	-40 to +85	$^\circ\text{C}$
Storage Temperature Range	T_{stg}	-40 to +150	$^\circ\text{C}$

(note) At on PC board.

■ ELECTRICAL CHARACTERISTICS ($V^+=5\text{V}$, $T_a=25^\circ\text{C}$)

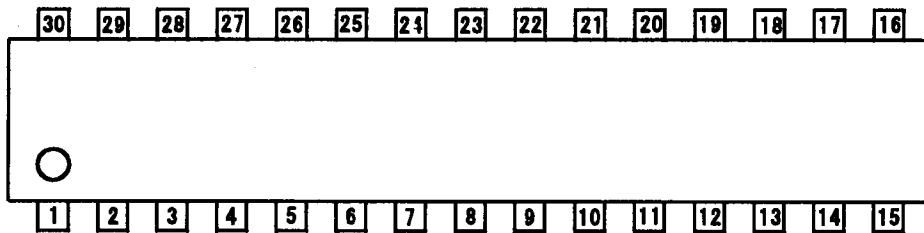
PARAMETER	SYMBOL	TEST CONDITION	MIN.	TYP.	MAX.	UNIT
【ALL】						
Operating Supply Voltage Range	V^+		4	5	12	V
Mute OFF Current Dissipation	I_{CC1}	$V_M=4.2\text{V}$, $V_{IN}=2.5\text{V}$	-	20	35	mA
Mute ON Current Dissipation	I_{CC2}	$V_M=0\text{V}$, $V_{IN}=2.5\text{V}$	-	2	3.5	mA
【POWER AMPLIFIER】						
Output Offset Voltage	V_{OF}	OUT1 - OUT2, GAIN=1 OUT4 - OUT3, GAIN=1	-50	-	50	mV
Input Common Mode Voltage Range	V_{ICM}	AMP2 AMP3	0	-	V^+	V
Input Bias Current	I_B	AMP2 AMP3	-	-	300	nA
Maximum Output Voltage 1	V_{O1}	OUT1 - OUT2, $I_L=300\text{mA}$ OUT4 - OUT3, $I_L=300\text{mA}$	4.0	4.2	-	V
Maximum Output Voltage 2	V_{O2}	OUT1 - OUT2, $I_L=500\text{mA}$ OUT4 - OUT3, $I_L=500\text{mA}$	3.0	3.5	-	V
Open Loop Voltage Gain	A_V	AMP2, $R_L=2\text{K}\Omega$, $V_{IN}=2.5\text{V}$ AMP3, $R_L=2\text{K}\Omega$, $V_{IN}=2.5\text{V}$	35	50	-	dB
【BUFFER AMPLIFIER】						
Input Output Potential Difference	V_{BIO}		-30	0	30	mV
Input Voltage Range	V_{BICM}		1.5	2.5	3.5	V
Output Voltage Range	ΔV_{BO}	$V_{IN}=2.5\text{V}$, $I_L=-5\text{mA}$ $V_{IN}=2.5\text{V}$, $I_L=+5\text{mA}$	-	-	-50	mA
【MUTING】						
Mute OFF Voltage	V_{OFF}		3.5	4.2	-	V
Mute ON Voltage	V_{ON}		-	0.8	1.0	V
Mute Sink Current	I_M	$V_M=5\text{V}$	70	100	130	μA

■ PIN CONFIGURATION



DIP-16

1 : V ⁺	9 : V _{in2} (+)
2 : MUTE	10 : V _{in2} (-)
3 : OUT1	11 : OUT3
4 : GND	12 : GND
5 : GND	13 : GND
6 : OUT2	14 : OUT4
7 : V _{in1} (-)	15 : V _{Bout}
8 : V _{in1} (+)	16 : V _{Bin}

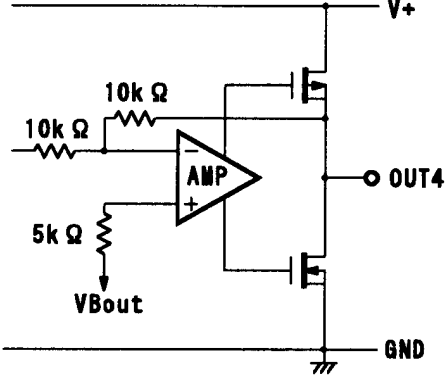


SDMP-30

1 : GND	16 : GND
2 : GND	17 : GND
3 : OUT4	18 : OUT2
4 : NC	19 : NC
5 : NC	20 : NC
6 : V _{Bout}	21 : V _{in1} (-)
7 : V _{Bin}	22 : V _{in1} (+)
8 : NC	23 : NC
9 : V ⁺	24 : V _{in2} (+)
10 : MUTE	25 : V _{in2} (-)
11 : NC	26 : NC
12 : NC	27 : NC
13 : OUT1	28 : OUT3
14 : GND	29 : GND
15 : GND	30 : GND

NJW4301

■ TERMINAL EXPLANATION

PIN NO.		PIN NAME	FUNCTION	INSIDE EQUIVALENT CIRCUIT
DIP-16	SDMP-30			
4 5 12 13	1 2 14 15 16 17 29 30	GND	Recommend expanding the island in order to heat radiation properties.	
14	3	OUT4	Output terminal of AMP4. OUT4 signal is opposite phase against OUT3.	
-	4 5 8 11 12 19 20 23 26 27	NC	Non-connection terminal. Recommend connecting to GND.	

■ TERMINAL EXPLANATION

PIN NO.		PIN NAME	FUNCTION	INSIDE EQUIVALENT CIRCUIT
DIP-16	SDMP-30			
15	6	VBout	An buffer amplifier output.	
16	7	VBin	An buffer amplifier input.	
1	9	V _{CC}	Supply Voltage.	
2	10	MUTE	An mute input. Pulldown by 50kΩ (TYP.) resistor.	

NJW4301

■ TERMINAL EXPLANATION

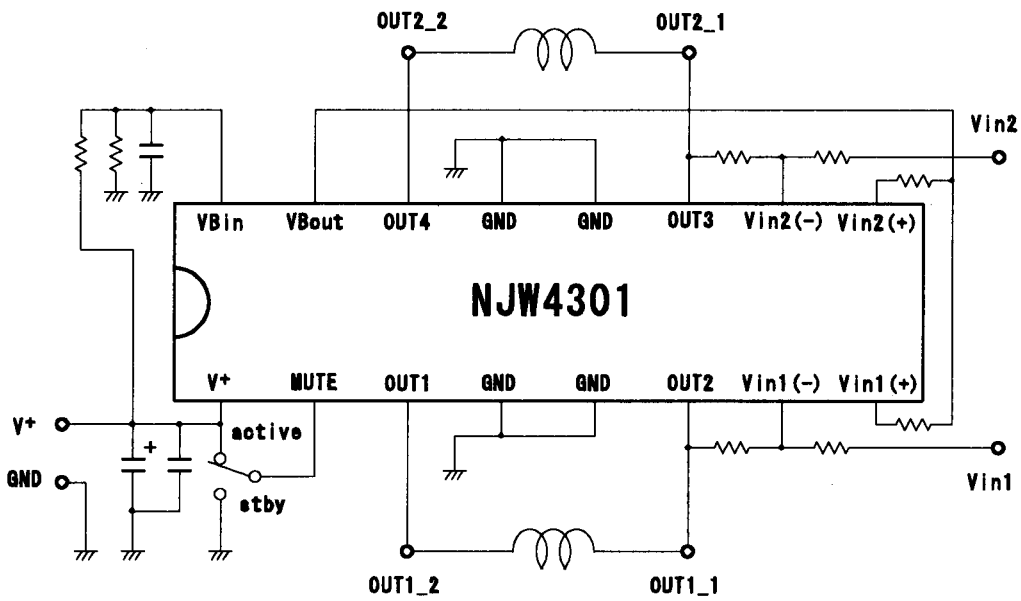
PIN NO.		PIN NAME	FUNCTION	INSIDE EQUIVALENT CIRCUIT
DIP-16	SDMP-30			
3	13	OUT1	Output terminal of AMP.1. OUT1 signal is opposite phase against OUT2.	
6	18	OUT2	Output terminal of AMP.2.	
7	21	Vin1(-)	Inverting input terminal of AMP.2.	
8	22	Vin1(+)	Non-inverting input terminal of AMP.2.	

■ TERMINAL EXPLANATION

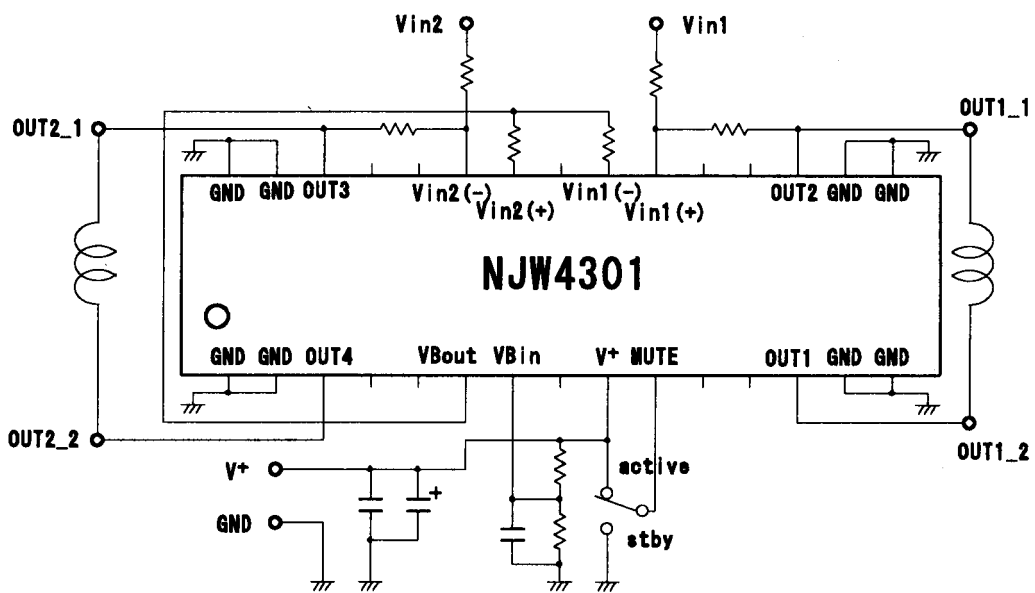
PIN NO.		PIN NAME	FUNCTION	INSIDE EQUIVALENT CIRCUIT
DIP-16	SDMP-30			
9	24	Vin2(+)	Inverting input terminal of AMP.3.	
10	25	Vin2(-)	Non-inverting input terminal of AMP.3.	
11	28	OUT3	Output terminal of AMP.3.	

NJW4301

APPLICATION CIRCUITS



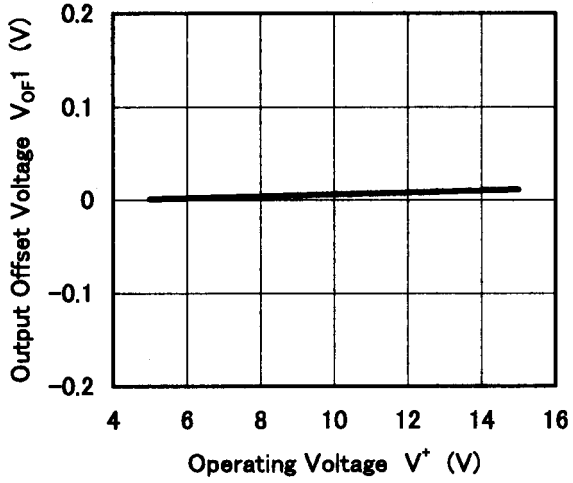
NJW4301 (DIP-16) Application Circuit



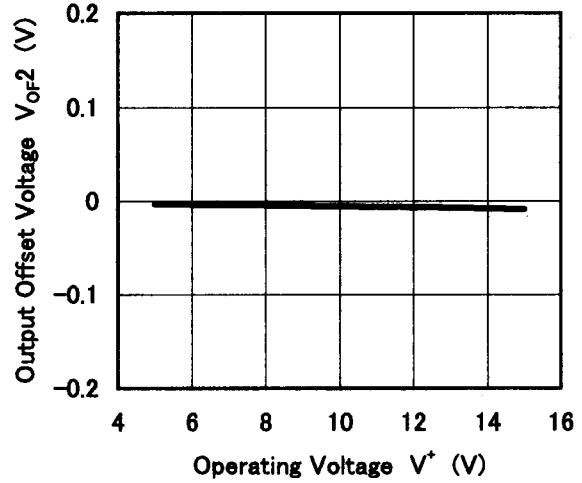
NJW4301 (SDMP-30) Application Circuit

■ TYPICAL CHARACTERISTICS

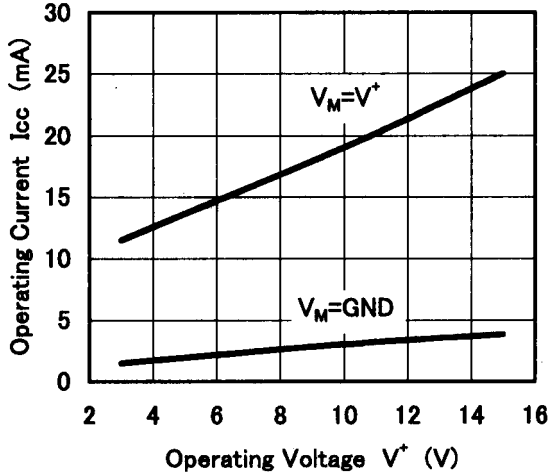
Output Offset Voltage vs. Operating Voltage
(OUT3-OUT4, $T_a=25^\circ\text{C}$)



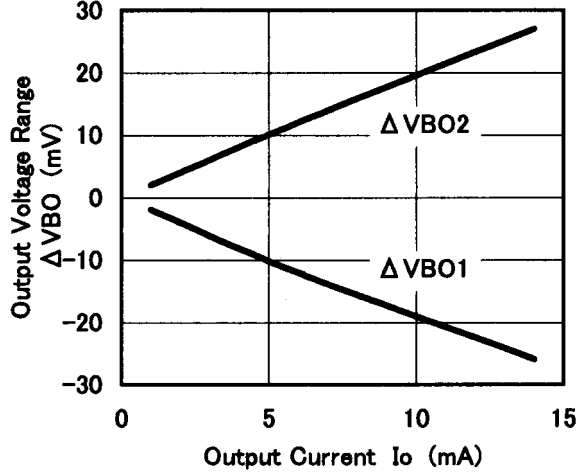
Output Offset Voltage vs. Operating Voltage
(OUT1-OUT2, $T_a=25^\circ\text{C}$)



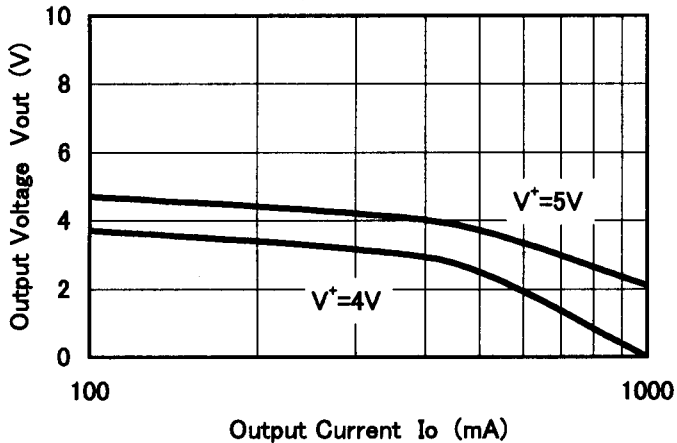
Operating Current vs. Operating Voltage
($T_a=25^\circ\text{C}$)



Output Voltage Range vs. Output Current
($V^+=5\text{V}, T_a=25^\circ\text{C}$)



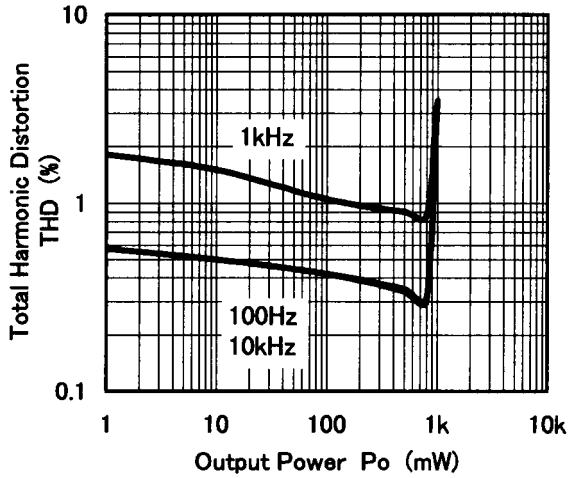
Output Voltage vs. Output Current
($T_a=25^\circ\text{C}$, Pulse Measurement)



■ TYPICAL CHARACTERISTICS

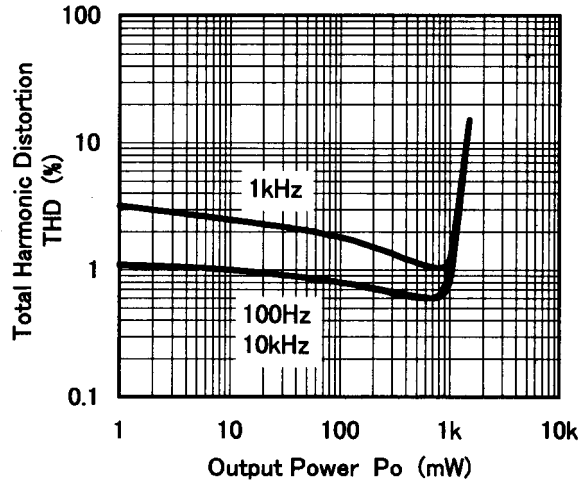
Total Harmonic Distortion vs. Output Power

($V^+=5V, R_L=8\Omega, T_a=25^\circ C$)



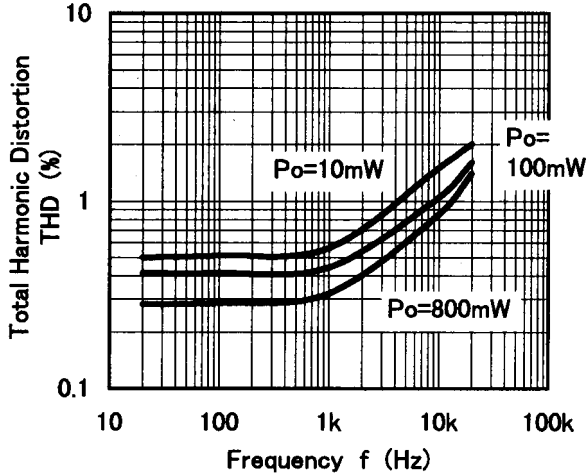
Total Harmonic Distortion vs. Output Power

($V^+=5V, R_L=4\Omega, T_a=25^\circ C$)



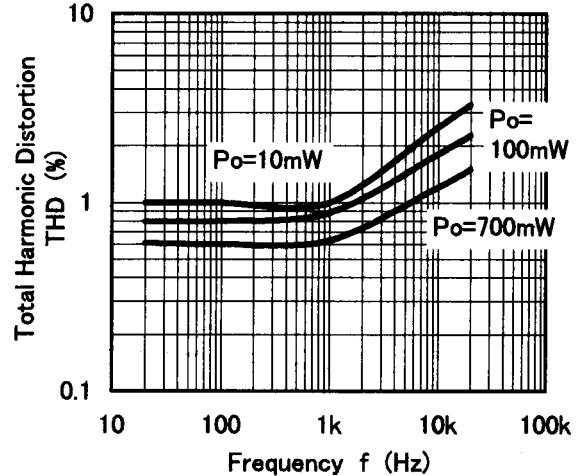
Total Harmonic Distortion vs. Frequency

($V^+=5V, R_L=8\Omega, T_a=25^\circ C$)



Total Harmonic Distortion vs. Frequency

($V^+=5V, R_L=4\Omega, T_a=25^\circ C$)



[CAUTION]

The specifications on this databook are only given for information, without any guarantee as regards either mistakes or omissions. The application circuits in this databook are described only to show representative usages of the product and not intended for the guarantee or permission of any right including the industrial rights.