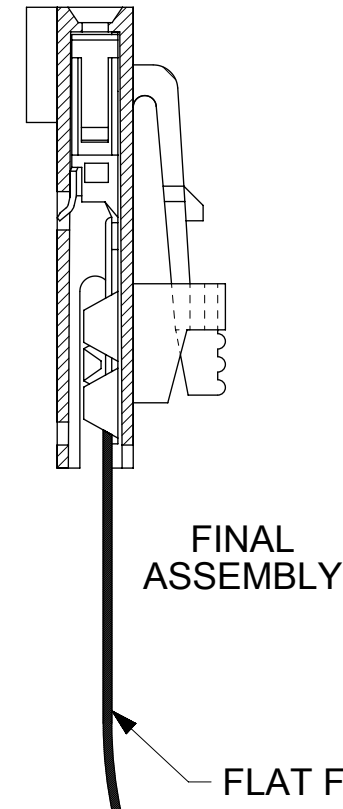
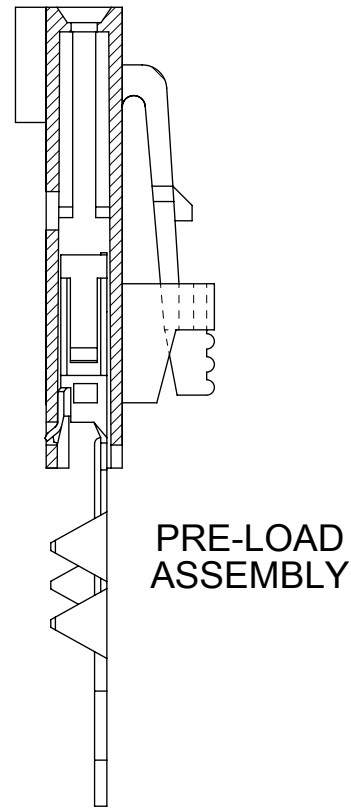
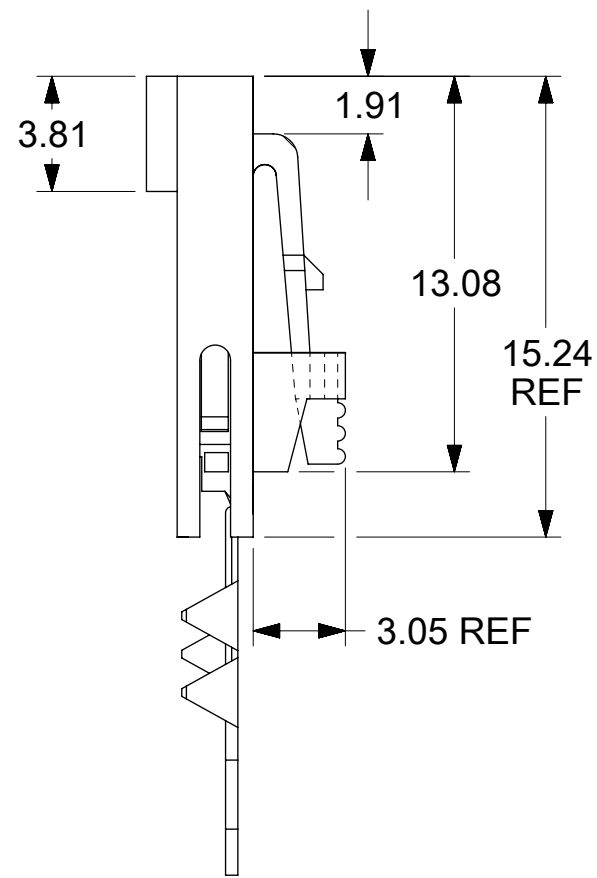
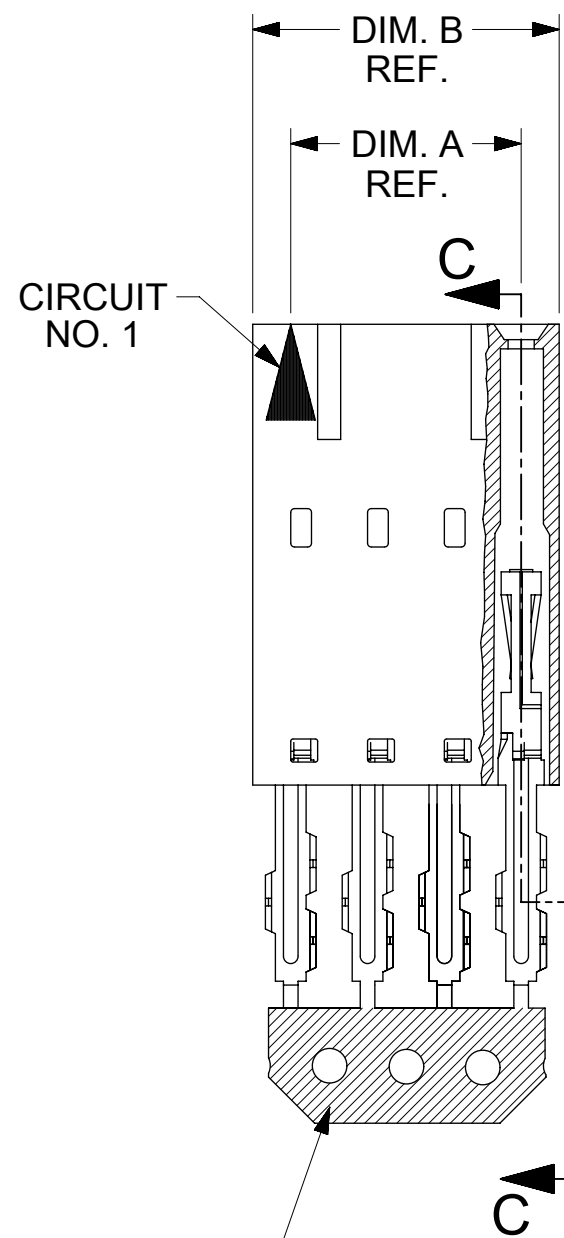
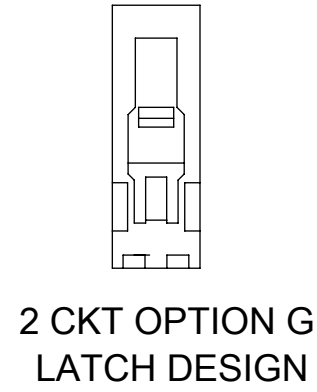
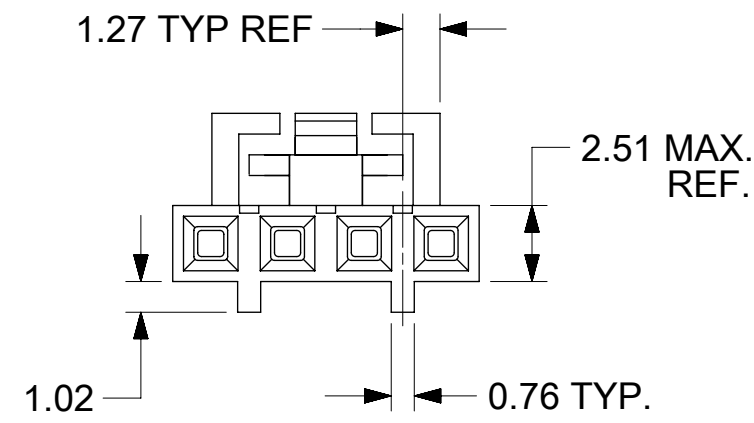


"G" - OPTION



SECTION C-C

FLAT FLEX CABLE (F.F.C.)
(SEE NOTE 2.)

FINISH CODE
RED = 30 GOLD
OPTIONAL WITHOUT CODING AVAILABLE SEE CHART

CKT	A	B	30 GOLD WITH RED STRIPE		30 GOLD WITHOUT COLOR CODE
			MATERIAL NO	ENG. NO.	MATERIAL NO
2	2.54	5.05	015-47-4027	70430-0491	704300516
3	5.08	7.59	015-47-4037	70430-0492	704300517
4	7.62	10.13	015-47-4047	70430-0493	704300518
5	10.16	12.67	015-47-4057	70430-0494	704300519
6	12.70	15.21	015-47-4067	70430-0495	704300520
7	15.24	17.75	015-47-4077	70430-0496	704300521
8	17.78	20.29	015-47-4087	70430-0497	704300522
9	20.32	22.83	015-47-4097	70430-0498	704300523
10	22.86	25.37	015-47-4107	70430-0499	704300524
11	25.40	27.91	015-47-4117	70430-0500	704300525
12	27.94	30.45	015-47-4127	70430-0501	704300526
13	30.48	32.99	015-47-4137	70430-0502	704300527
14	33.02	35.53	015-47-4147	70430-0503	704300528
15	35.56	38.07	015-47-4157	70430-0504	704300529
16	38.10	40.61	015-47-4167	70430-0505	704300530
17	40.64	43.15	015-47-4177	70430-0506	704300531
18	43.18	45.69	015-47-4187	70430-0507	704300532
19	45.72	48.23	015-47-4197	70430-0508	704300533
20	48.26	50.77	015-47-4207	70430-0509	704300534
21	50.80	53.31	015-47-4217	70430-0510	704300535
22	53.34	55.85	015-47-4227	70430-0511	704300536
23	55.88	58.39	015-47-4237	70430-0512	704300537
24	58.42	60.93	015-47-4247	70430-0513	704300538
25	60.96	63.47	015-47-4257	70430-0514	704300539

- HOUSING MATERIAL: GLASS FILLED POLYESTER, UL94V-0, COLOR: BLACK.
TERMINAL MATERIAL: PHOSPHOR BRONZE.
PLATING GOLD: 0.76 MICROMETERS MINIMUM GOLD PLATE IN SELECT AREA
1.90 MICROMETERS MINIMUM TIN PLATE IN SELECT AREA
1.27 MICROMETERS MINIMUM NICKEL PLATE OVERALL.
- PRE LOADED ASSEMBLY TO BE USED WITH 0.30 MAX. THICK FLAT CABLE WITH 1.57 [.062] WIDE COPPER CONDUCTORS ON 2.54 CENTERS OR, 0.13 - 0.28 THICK MYLAR WITH 1.02 - 1.65 WIDE SILVER INK CONDUCTORS ON 2.54 CENTERS.
- PRODUCT SPECIFICATION: PS-70430.
- STANDARD PACKING PER PK70873-0001 SHALL BE USED.
- SEE CHART FOR CIRCUIT SIZES, "A" AND "B" DIMENSIONS.
- TWO (2) CIRCUIT ASSEMBLIES SUPPLIED AS GROUPED PAIRS.
- PART MATES WITH 0.64 SQ. PINS 8.13 TO 5.08 LONG ON 2.54 CENTERS.
- PARTS CONFORM TO CLASS B COSMETIC SPECIFICATION PS-45499-002.

THIS DRAWING CONTAINS INFORMATION THAT IS PROPRIETARY TO MOLEX ELECTRONIC TECHNOLOGIES, LLC AND SHOULD NOT BE USED WITHOUT WRITTEN PERMISSION

DIMENSION UNITS	SCALE	CURRENT REV DESC: ADD OPTION 0516/0539		molex			
mm	NTS						
GENERAL TOLERANCES (UNLESS SPECIFIED)		EC NO: 613730		ASSEMBLY, CONNECTOR FFC FEMALE SINGLE ROW 2.54 GRID			
ANGULAR TOL	± 0.5°	DRWN: ABABU01	2018/12/06				
4 PLACES	±	CHK'D: FSMITH	2019/04/01	PRODUCT CUSTOMER DRAWING			
3 PLACES	±	APPR: FSMITH	2019/04/01				
2 PLACES	± 0.25	INITIAL REVISION:		DOCUMENT NUMBER			
1 PLACE	± 0.38	DRWN: RFC_PLMIMP	2018/08/06				SDA-70430-0491-0514
0 PLACES	±	APPR: SMILLER	2004/04/15	DOC TYPE	DOC PART	REVISION	
DRAFT WHERE APPLICABLE MUST REMAIN WITHIN DIMENSIONS		THIRD ANGLE PROJECTION	DRAWING	SERIES	MATERIAL NUMBER	CUSTOMER	SHEET NUMBER
			C-SIZE	70430	SEE TABLE	GENERAL MARKET	1 OF 1