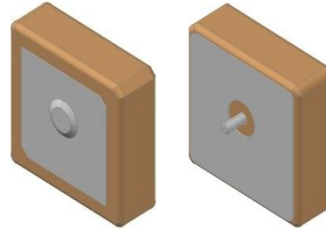


Preliminary Specification

Patch Antenna JLT1575S10P4B



Feature

High gain , Compact

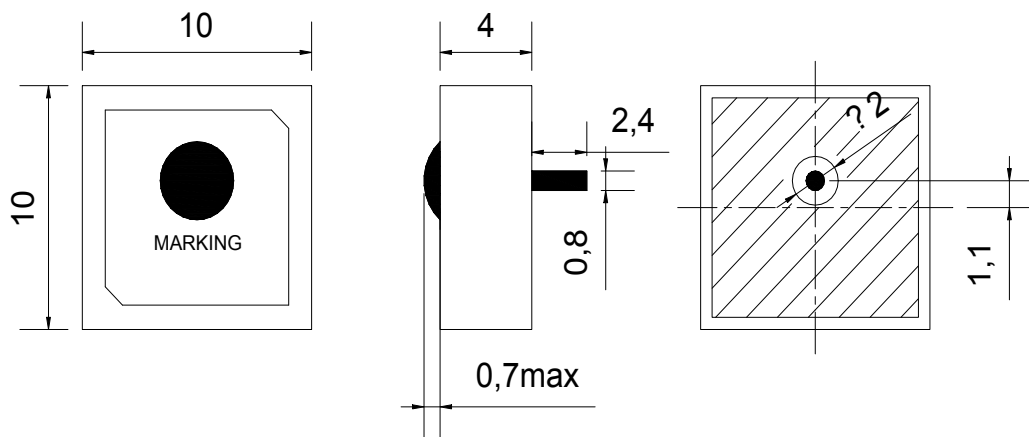
Pin type

Customization available

Electrical Specification

Center Frequency	1575.42 ± 3.0 MHz
Return Loss @ F0	≥15 dB
Bandwidth @ 10dB Return loss	≥4
Polarization	RHCP
Gain @ Zenith	-12.0 dBi typ.
Ground plane	10x10
Impedance	50 Ω
Frequency Temperature Coefficient	±20 ppm/°C
Operation Temperature Range	-40 ~ +85°C

Mechanical Dawring



Tolerance: ±0.30
Unit: mm