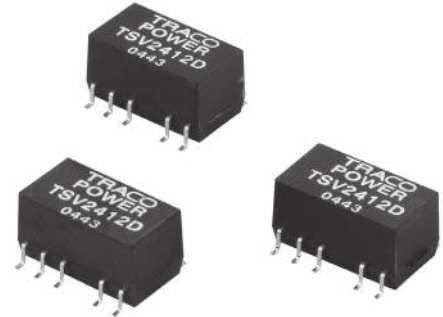


Features

- ◆ SMD package (SOIC-22)
- ◆ Isolated single and dual output models
- ◆ I/O isolation 3'000 VDC
- ◆ High efficiency up to 81 %
- ◆ Extended temperature range
-40°C to +85°C
- ◆ High accuracy of pin co-planarity
- ◆ Available in tape and reel package
- ◆ Lead free design, RoHS compliant
- ◆ 3-year product warranty



The TSV series are miniature, 1W DC/DC-converters with high isolation in a SMD package. The devices can be soldered without any problems in a high temperature lead free solder process. With the small footprint, these converters are the ideal solution for board level power distribution, mainly for applications in the industrial- and telecom field.

Models

Ordercode	Input voltage	Output voltage	Output current max.	Efficiency typ.
TSV 0505S	5 VDC ±10 % (Nominal 5 VDC)	5 VDC	200 mA	71 %
TSV 0512S		12 VDC	80 mA	78 %
TSV 0515S		15 VDC	65 mA	78 %
TSV 0505D		±5 VDC	±100 mA	72 %
TSV 0512D		±12 VDC	±40 mA	78 %
TSV 0515D		±15 VDC	±30 mA	79 %
TSV 1205S		12 VDC ±10 % (Nominal 12 VDC)	5 VDC	200 mA
TSV 1212S	12 VDC		80 mA	79 %
TSV 1215S	15 VDC		65 mA	80 %
TSV 1205D	±5 VDC		±100 mA	74 %
TSV 1212D	±12 VDC		±40 mA	80 %
TSV 1215D	±15 VDC		±30 mA	81 %
TSV 2405S	24 VDC ±10 % (Nominal 24 VDC)		5 VDC	200 mA
TSV 2412S		12 VDC	80 mA	78 %
TSV 2415S		15 VDC	65 mA	79 %
TSV 2405D		±5 VDC	±100 mA	72 %
TSV 2412D		±12 VDC	±40 mA	79 %
TSV 2415D		±15 VDC	±30 mA	80 %

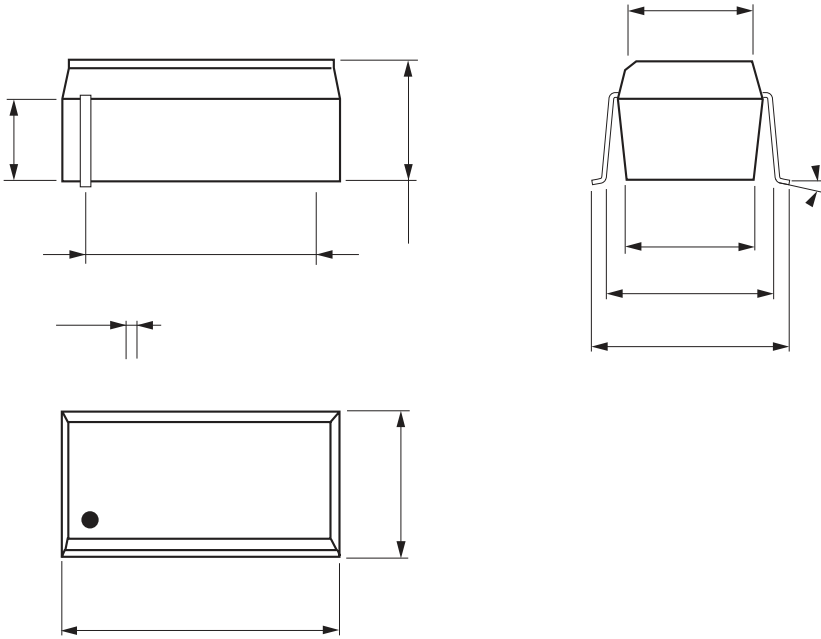
Input Specifications

Input current no load / full load	5 Vin models: 30 mA / 260 mA typ. 12 Vin models: 12 mA / 110 mA typ. 24 Vin models: 7 mA / 55 mA typ.
Surge voltage (1 sec. max.)	5 Vin models: 9 V max. 12 Vin models: 18 V max. 24 Vin models: 30 V max.
Reflected input ripple current*	can be reduced by ext. 1–3.3 μF polyester film capacitor
Input filter	internal capacitor

Output Specifications

Voltage set accuracy	±4 % max.
Voltage balance	

All specifications valid at nominal input voltage, full load and +25°C after warm-up time unless otherwise stated.



Specifications can be changed without notice! Make sure you are using the latest documentation, downloadable at www.tracopower.com