



# High-voltage contactor

Gas-filled contactor for high-voltage DC switching

<b>Series/Type:</b>	<b>HVC43</b>
<b>Ordering code:</b>	<b>B88269X*</b>
Date:	2022-03-16
Version:	05

### General


The HVC43 series has been specially designed to meet the requirements of high-voltage DC switching applications. The optimized hermetically sealed design exhibits excellent reliability performance against harsh environments. The small size and low weight of the HVC43 series is optimized to serve automotive application as part of battery traction systems.



### Features

- Single coil with connector
- No coil termination
- Main terminals without polarity (bi-directional)
- RoHS compatible

### Characteristics

Contact arrangement	1A	
Inner contact material	Cu alloy	
Internal contact gap (full disconnection)	2.0 (2 × 1.0)	mm
Recommended connection cable cross section <sup>1</sup>		
- for I <sub>th</sub> = 150 A <sub>DC</sub>	≥ 50	mm <sup>2</sup>
- for I <sub>th</sub> = 200 A <sub>DC</sub>	≥ 60	mm <sup>2</sup>
- for I <sub>th</sub> = 250 A <sub>DC</sub>	≥ 60	mm <sup>2</sup>
Vibration in closed state, xyz-axis <sup>2</sup>		
- shock, 6 ms ½ sine, peak <sup>3</sup>	588	m/s <sup>2</sup>
- vibration, sine 100 ... 2000 Hz, peak <sup>4</sup>	98	m/s <sup>2</sup>
- wideband random vibration, 10 ... 1000 Hz <sup>5</sup>	49	m/s <sup>2</sup> <sub>RMS</sub>
Operation and storage <sup>6</sup>		
- temperature	-40 ... +85	°C
- humidity	5 ... 85	%
- air pressure	50 ... 106	kPa
Climatic category (IEC 60068-1)	40/085/21	
Weight <sup>7</sup>	~ 300	g
Certifications	CE / UKCA UL 60947-4-1 (E491412)	

See "Notes" on page 9

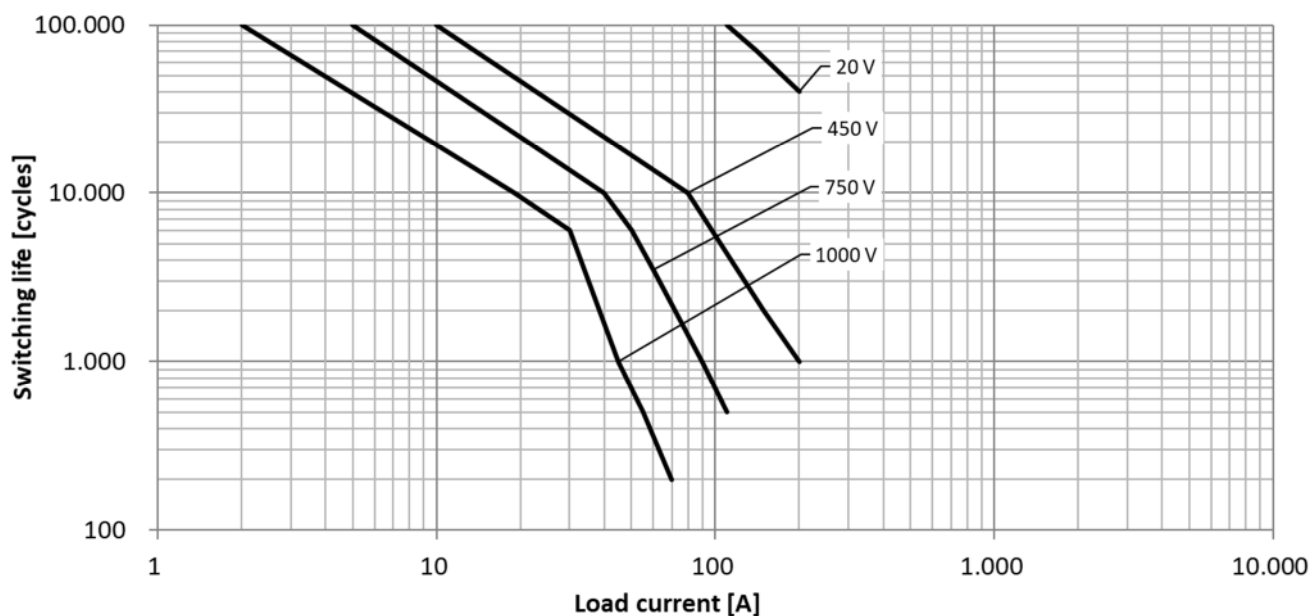
**Specifications <sup>8</sup>**

Type HVC43-...		150A	200A	250A	
<b>Contact</b>					
Maximum operating voltage		1000			V <sub>DC</sub>
Continuous current	I <sub>th</sub>	150	200	250	A <sub>DC</sub>
Temporary overcurrent (10 min)	I <sub>cw1</sub>	260	290	320	A <sub>DC</sub>
Temporary overcurrent (1 min)	I <sub>cw2</sub>	440	480	540	A <sub>DC</sub>
Rated operational voltage <sup>9, 10</sup>	U <sub>e</sub>	1000			V <sub>DC</sub>
Rated operational current <sup>9, 10</sup>	I <sub>e</sub>	60			A <sub>DC</sub>
Contact resistance at 100 A <sub>DC</sub>					
- typical		0.125			mΩ
- max.		0.25			mΩ
Insulation resistance at 1000 V <sub>DC</sub>					
- contact to contact / contact to coil		≥ 1			GΩ
Dielectric strength <sup>11</sup>					
- contact to contact / contact to coil		≥ 4400			V <sub>AC</sub>
Operating time <sup>12</sup>					
- make		≤ 30			ms
- break		≤ 15			ms
<b>Electrical endurance <sup>10, 13, 14</sup></b>					
<b>Mechanical <sup>15</sup></b>					
- max. 1 V, 1 A <sub>DC</sub> (make & break)		350 000			operations
<b>Capacitive</b>					
- at 20 V <sub>DC</sub> , 140 A <sub>DC</sub> (make)		70 000			operations
<b>Resistive</b>					
- at 450 V <sub>DC</sub> , 200 A <sub>DC</sub> (make & break)		1000			operations
- at 450 V <sub>DC</sub> , 250 A <sub>DC</sub> (break) <sup>16</sup>		550			operations
<b>Maximum cut-off <sup>17</sup></b>					
- at 450 V <sub>DC</sub> , 2000 A <sub>DC</sub> (break) <sup>18</sup>		1			operation
- at 1000 V <sub>DC</sub> , 450 A <sub>DC</sub> (break) <sup>19</sup>		1			operation
<b>Coil type <sup>13</sup></b>		12 V	24 V		
Rated control voltage (nominal)	U <sub>c</sub>	12	24		V <sub>DC</sub>
Operating voltage range	U <sub>1</sub> ... U <sub>2</sub>	9 ... 16	18 ... 32		V <sub>DC</sub>
Pick-up voltage (max.)	U <sub>1</sub>	9	18		V <sub>DC</sub>
Drop-out voltage (min.)		1	2		V <sub>DC</sub>
Minimum holding current		0.16	0.08		A <sub>DC</sub>
Power at nominal voltage <sup>20</sup>		5.8	5.8		W
Nominal resistance		24	96		Ω

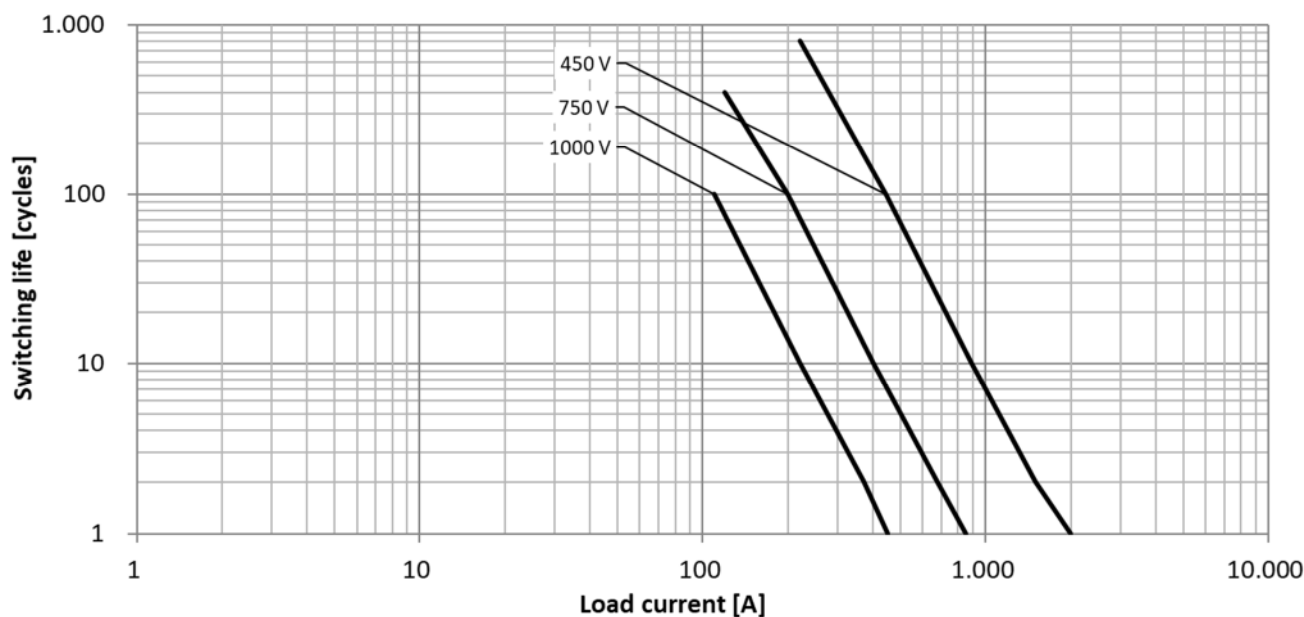
See "Notes" on page 9

Characteristics <sup>10, 13, 14, 21</sup>

**Estimated make & break life curves  
for resistive loads**



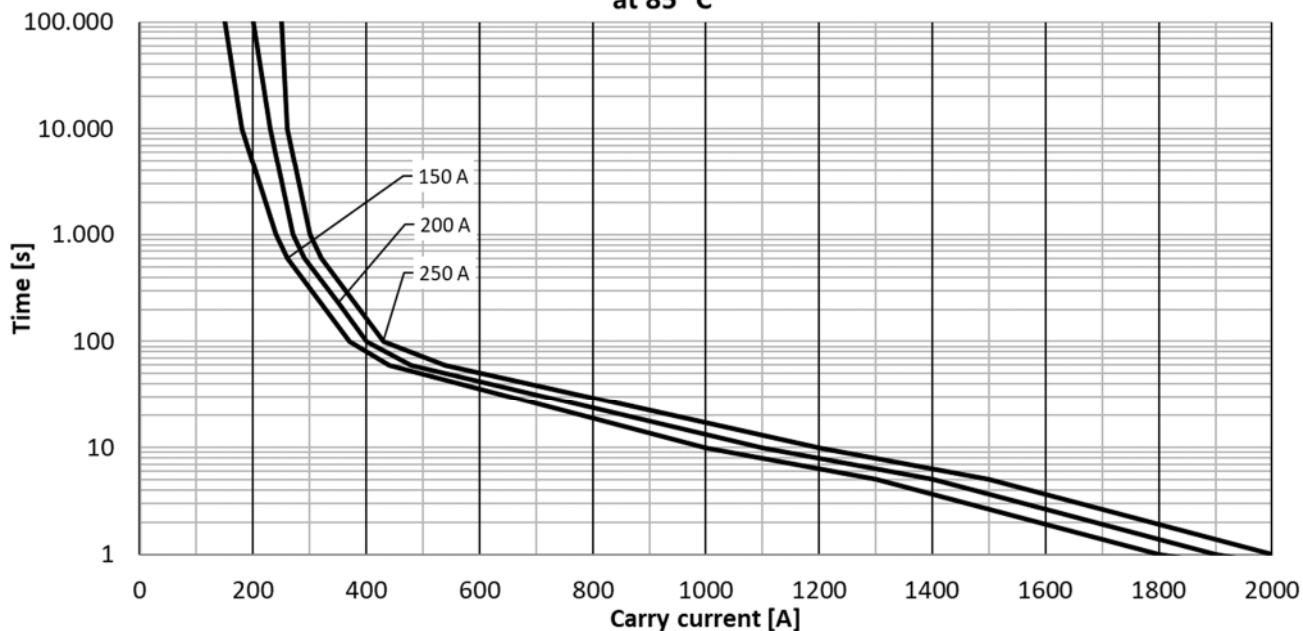
**Estimated break-only life curves  
for resistive loads**



See "Notes" on page 9

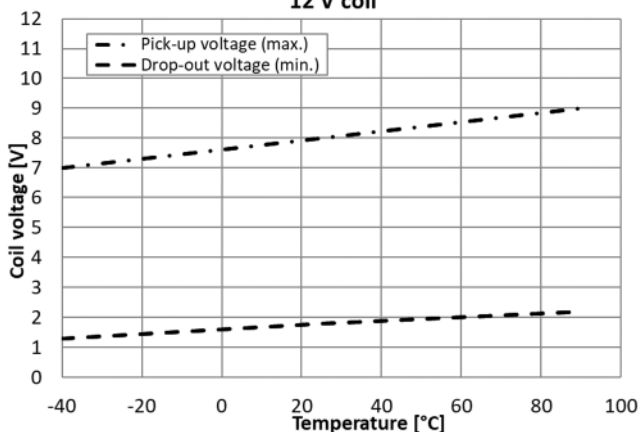
### Current handling capability

at 85 °C



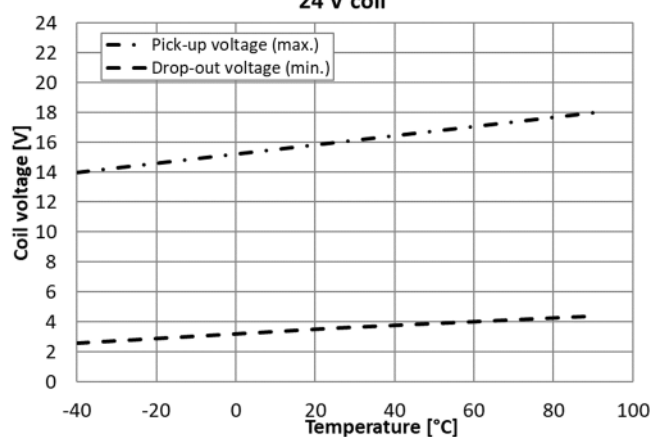
### Typical operating voltage characteristics

12 V coil



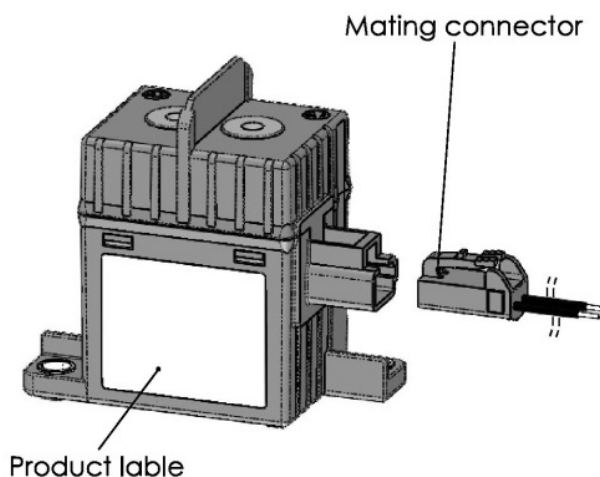
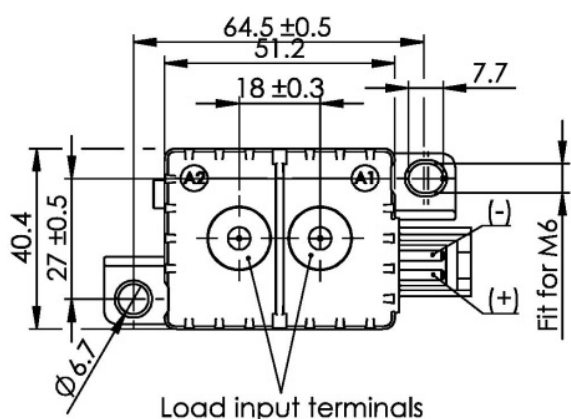
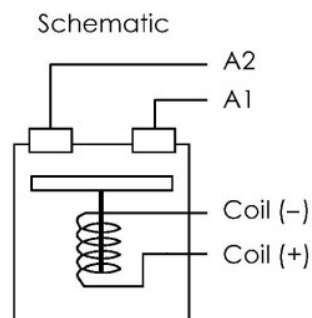
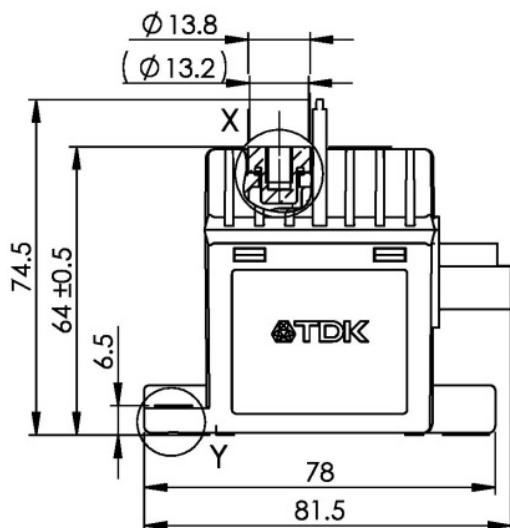
### Typical operating voltage characteristics

24 V coil

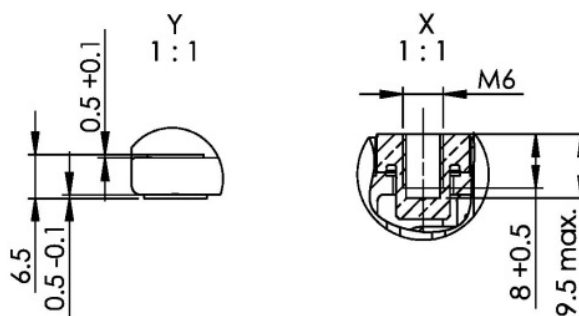
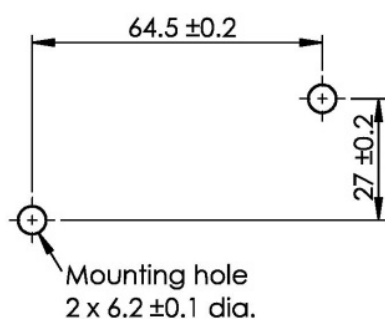


**Dimensional drawing**

in mm



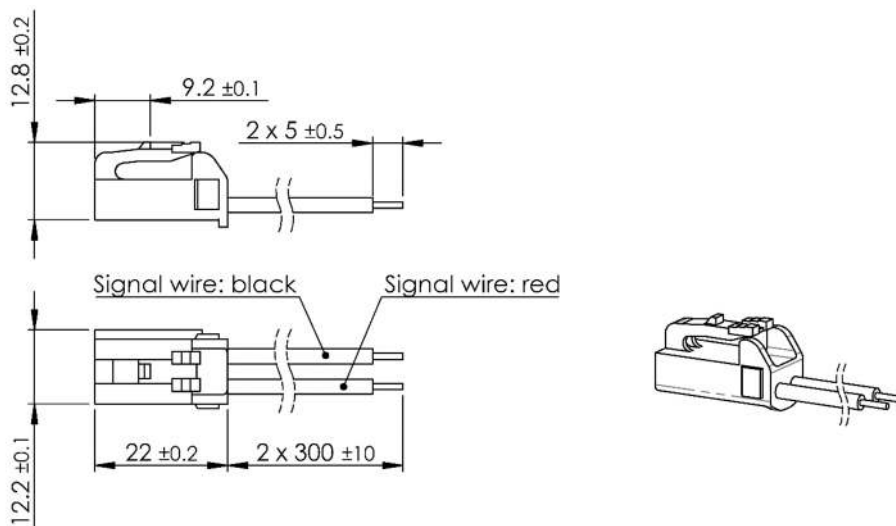
Mounting dimensions:



In case of no tolerance shown in dimensional drawing, general tolerances apply:  
 dimension  $\leq 10$  mm:  $\pm 0.3$  mm; dimension 10 to 50 mm:  $\pm 0.6$  mm; dimension  $> 50$  mm:  $\pm 1$  mm

**Accessory**

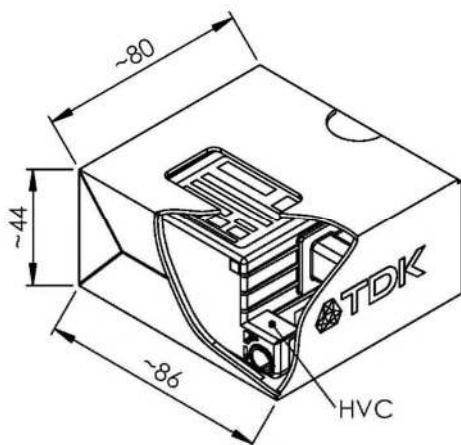
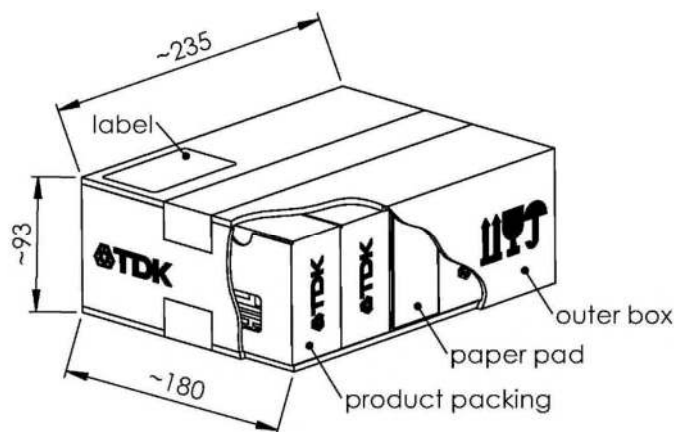
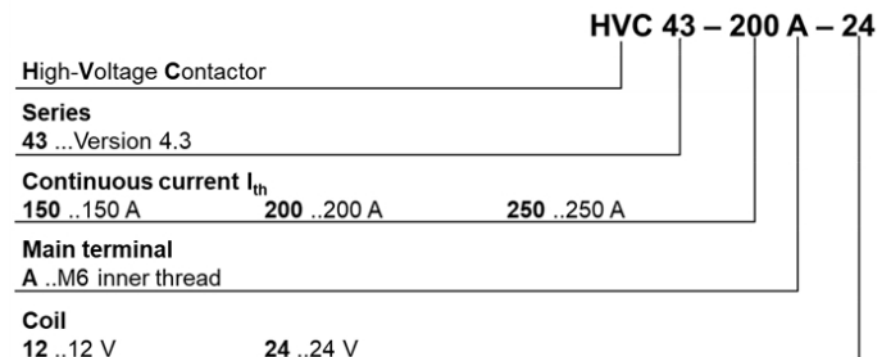
Mating connector plug (corresponding to Yazaki 7283-1020)

 To order if required with order code **B88269X9990C101** (10 pcs. in a box).

**Installation information**

Connection name	Type	Marking	Finishing	Remarks
A1	Main terminal M6	A1	copper contact surface	tightening torque 6...8 Nm
A2	Main terminal M6	A2		
Optional: Mating connector plug	Plug with wire (AWG 20)	red (+)	stripped and tinned	connector plug
	Plug with wire (AWG 20)	black (-)		
Case mounting	Relay mounting M6	none	stainless steel insert	tightening torque 4...6 Nm

**Important:**

Coil terminations should be suppressed with a surge protection device. Preferably a varistor (e.g. S10K30, B72210S0300K101 or equivalent) should be installed in parallel, see "Cautions and warnings".

**Packing unit**
*B88269X...C011 = 1 pc. in cardboard box*

**Delivery unit**
*10 pcs. in cardboard box*

**Nomenclature of type name**
Example (other digits may indicate customized version or special option)

**Ordering codes**

Continuous current $A_{DC}$	Coil voltage $V_{DC}$	Type name	Ordering code
150	12	HVC43-150A-12	B88269X3230C011
	24	HVC43-150A-24	B88269X3330C011
200	12	HVC43-200A-12	B88269X3220C011
	24	HVC43-200A-24	B88269X3340C011
250	12	HVC43-250A-12	B88269X3210C011
	24	HVC43-250A-24	B88269X3350C011



**Notes:**

- <sup>1</sup> The recommended cross section refers to pure copper. In other cases it must be matched to actual current, conductor material properties and operation temperature (see: Cautions and warnings).
- <sup>2</sup> Detection time 10  $\mu$ s: micro-openings  $\leq$  10  $\mu$ s may occur between main contacts
- <sup>3</sup> Referring to IEC 60068-2-27
- <sup>4</sup> Referring to IEC 60068-2-6
- <sup>5</sup> Referring to IEC 60068-2-64
- <sup>6</sup> Freezing or condensing must be avoided.
- <sup>7</sup> Valid for base-model without accessory, other configurations will lead to deviations.
- <sup>8</sup> The specified values apply to unused contactors acc. to IEC 61810-1.
- <sup>9</sup> Referring to IEC 60947-4-1, 6000 operations make & break
- <sup>10</sup> Referring to IEC 60947-4-1, 50% of operations in positive and 50% in negative direction (see: Cautions and warnings)
- <sup>11</sup> Detection limit 10 mA
- <sup>12</sup> Measured at rated control voltage  $U_c$  including contact bouncing time.
- <sup>13</sup> Specified referring to JIS C 5442 (temperature 15 °C to 35 °C, humidity 25% to 85% RH).
- <sup>14</sup> End of life is reached when insulation resistance is  $<$  50 M $\Omega$  at 1000 V.
- <sup>15</sup> Duty cycle 50%, cycle duration 1 s, value represents B10 life time acc. to Weibull analysis.
- <sup>16</sup> Duty cycle 1%, cycle duration 600 s.
- <sup>17</sup> No fire and no explosion will occur after this break
- <sup>18</sup> Tested with resistive loads with  $\tau \leq$  1 ms
- <sup>19</sup> Tested for maximum break at 1000 V, 450 A with  $\tau \leq$  0.3 ms.
- <sup>20</sup> Tolerance  $\pm$ 10% at thermal equilibrium
- <sup>21</sup> For „make & break life curves“ duty cycle is 10% and cycle duration is 6 s. For “break-only life curves” duty cycle is 1% and cycle duration is 600 s.

**Cautions and warnings**

- To guarantee a satisfying performance of this contactor in the application we strongly recommend to implement redundancy, take measures to prevent the spread of fire, take the possibilities of malfunction into account, and perform regular maintenance.
- It is also required to always use a suitable backup fuse for the contactor.
- It is not allowed to use the contactor outside of the parameter range specified in this datasheet. This also includes temperature and humidity. Overloading the contactor may destroy the component.
- The lifetime is dependent on several factors: e.g. load type, driving circuit and ambient conditions. We recommend checking the performance of the part under actual conditions.
- For capacitive loads, the inrush current through the contactor should not exceed the specified limit of the estimated make & break life curves, otherwise tack welding and permanent failure will occur.
- Break of inductive loads with  $\tau >$  1 ms will shorten the lifetime and failure may occur.
- In the event of a break under inductive load, the voltage at the connection terminals of the contactor must not exceed the nominal operating voltage by more than 10 %.
- For continuous high current operation, make sure that the temperatures of the connection terminals do not exceed 130 °C by selecting an appropriate connection cable cross section or active cooling.
- The main connections of the contactor also act as a heat sink. Please ensure that the connection surface area is fully covered with a matched cable lug or busbar and that the connection hole in the busbar is according to DIN ISO 20273 (middle clearance).

- The leads to the contactor must be securely tightened to the terminals (check torque specification in data sheet) otherwise current stress may generate sparks and heating. Use only suitable screws for all mechanical connections to the contactor and verify their functionality in the application.
- After long-term operation the contactor coil resistance is increased due to the temperature rise. If the contactor is switched on immediately afterwards, the coil characteristics may be deteriorated.
- The coil contacts need to be protected from overvoltage when switching off. Therefore, a protection device needs to be installed in parallel.
- For successful pick-up, the voltage cannot be ramped up slowly. The voltage needs to be applied instantly to at least the maximum pick-up voltage.
- The contactor is not intended to be used with pulse width modulation (PWM) controllers. Please contact TDK for details.
- Simultaneously applied maximum operation parameters for e.g. coil voltage, over currents, temperature, vibration etc. may lead to reduced lifetime. We recommend applying rated settings to achieve optimum life performance.
- For parts without plus or minus marking at the main HV contacts (e.g. no polarity of main contacts), the service life curves are estimated based on the requirements of IEC60947-4-1; Chapter 8.2.4 where 50% of the required operations are performed in positive direction and 50% in negative direction.
- For additional safety, the contactor must be mounted in a way that the vertical axis of the part (Z-axis) is not in line with the main shock axis inside the application. Still, it must be mounted either upright standing or horizontal lying on either side. Overhead mounting must be avoided and only the original mounting holes are allowed to be used to mount the part.
- Contactors radiate magnetic and electromagnetic fields. Please ensure that other components mounted in close proximity are not affected.
- In case two contactors are mounted in close proximity, a clearance distance of 10 mm has to be kept.
- The operating life of the contactor can be affected by strong magnetic fields. Please ensure that there are no magnetic field sources in close proximity and avoid nearby installed heat sources.
- The contactor must not be operated without any load. This may increase the contact resistance.
- Contactors may become hot during extended periods of current overload (burn hazard).
- Contactors must be handled with care and must not be dropped.
- If a current occurred that exceeded the maximum breaking current by more than 50% or triggered a series fuse, the contactor is considered damaged and must be replaced.
- The manufacturer cannot be held liable for failures caused by condensation or icing. The customer has to apply suitable measures to avoid these circumstances.
- This contactor is not waterproof.
- It must be ensured that during usage, storage, or transportation direct sunlight is avoided. The ambient temperature during usage must not exceed the value specified in this data sheet.
- It is forbidden to use this contactor in atmospheres loaded with organic solvents (alcohol, petroleum, etc.) or strong alkaline substances (ammoniac, acids in general, etc.).
- It must be ensured that during installation and operation no kind of foreign matter adheres to the main contact. Especially oils and silicones must be avoided.
- It is forbidden to attach any kind of additional construction to or on the contactor.

- This contactor is tested and classified according to UL as an open-type device. This means the contactor is intended to be installed in an ultimate enclosure provided by a third party. Furthermore, the contactor coil circuit is intended to be powered with a Class 2 source.

### Display of ordering codes for TDK Electronics products

The ordering code for one and the same product can be represented differently in data sheets, data books, other publications, on the company website, or in order-related documents such as shipping notes, order confirmations and product labels. **The varying representations of the ordering codes are due to different processes employed and do not affect the specifications of the respective products.** Detailed information can be found on the Internet under [www.tdk-electronics.tdk.com/orderingcodes](http://www.tdk-electronics.tdk.com/orderingcodes).

## Important notes

The following applies to all products named in this publication:

1. Some parts of this publication contain **statements about the suitability of our products for certain areas of application**. These statements are based on our knowledge of typical requirements that are often placed on our products in the areas of application concerned. We nevertheless expressly point out **that such statements cannot be regarded as binding statements about the suitability of our products for a particular customer application**. As a rule we are either unfamiliar with individual customer applications or less familiar with them than the customers themselves. For these reasons, it is always ultimately incumbent on the customer to check and decide whether a product with the properties described in the product specification is suitable for use in a particular customer application.
2. We also point out that **in individual cases, a malfunction of electronic components or failure before the end of their usual service life cannot be completely ruled out in the current state of the art, even if they are operated as specified**. In customer applications requiring a very high level of operational safety and especially in customer applications in which the malfunction or failure of an electronic component could endanger human life or health (e.g. in accident prevention or life-saving systems), it must therefore be ensured by means of suitable design of the customer application or other action taken by the customer (e.g. installation of protective circuitry or redundancy) that no injury or damage is sustained by third parties in the event of malfunction or failure of an electronic component.
3. **The warnings, cautions and product-specific notes must be observed.**
4. In order to satisfy certain technical requirements, **some of the products described in this publication may contain substances subject to restrictions in certain jurisdictions (e.g. because they are classed as hazardous)**. Useful information on this will be found in our Material Data Sheets on the Internet ([www.tdk-electronics.tdk.com/material](http://www.tdk-electronics.tdk.com/material)). Should you have any more detailed questions, please contact our sales offices.
5. We constantly strive to improve our products. Consequently, **the products described in this publication may change from time to time**. The same is true of the corresponding product specifications. Please check therefore to what extent product descriptions and specifications contained in this publication are still applicable before or when you place an order.

We also **reserve the right to discontinue production and delivery of products**. Consequently, we cannot guarantee that all products named in this publication will always be available. The aforementioned does not apply in the case of individual agreements deviating from the foregoing for customer-specific products.

6. Unless otherwise agreed in individual contracts, **all orders are subject to our General Terms and Conditions of Supply**.
7. **Our manufacturing sites serving the automotive business apply the IATF 16949 standard**. The IATF certifications confirm our compliance with requirements regarding the quality management system in the automotive industry. Referring to customer requirements and customer specific requirements ("CSR") TDK always has and will continue to have the policy of respecting individual agreements. Even if IATF 16949 may appear to support the acceptance of unilateral requirements, we hereby like to emphasize that **only requirements mutually agreed upon can and will be implemented in our Quality Management System**. For clarification purposes we like to point out that obligations from IATF 16949 shall only become legally binding if individually agreed upon.

## Important notes

8. The trade names EPCOS, CarXield, CeraCharge, CeraDiode, CeraLink, CeraPad, CeraPlas, CSMP, CTVS, DeltaCap, DigiSiMic, ExoCore, FilterCap, FormFit, LeaXield, MiniBlue, MiniCell, MKD, MKK, ModCap, MotorCap, PCC, PhaseCap, PhaseCube, PhaseMod, PhiCap, PowerHap, PQSine, PQvar, SIFERRIT, SIFI, SIKOREL, SilverCap, SIMDAD, SiMic, SIMID, SineFormer, SIOV, ThermoFuse, WindCap, XieldCap are **trademarks registered or pending** in Europe and in other countries. Further information will be found on the Internet at [www.tdk-electronics.tdk.com/trademarks](http://www.tdk-electronics.tdk.com/trademarks).

Release 2020-06