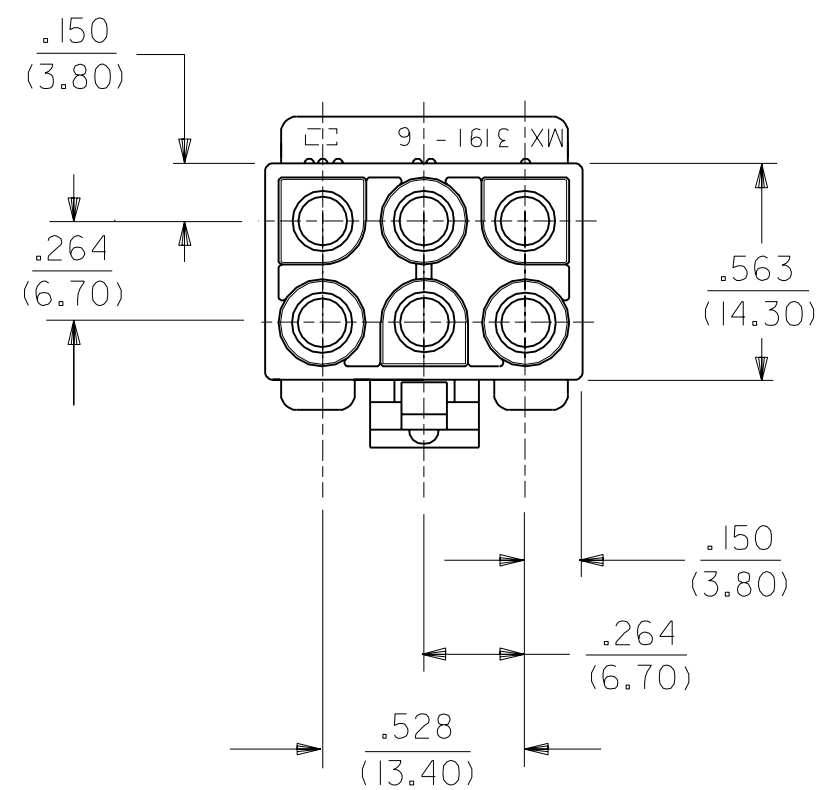
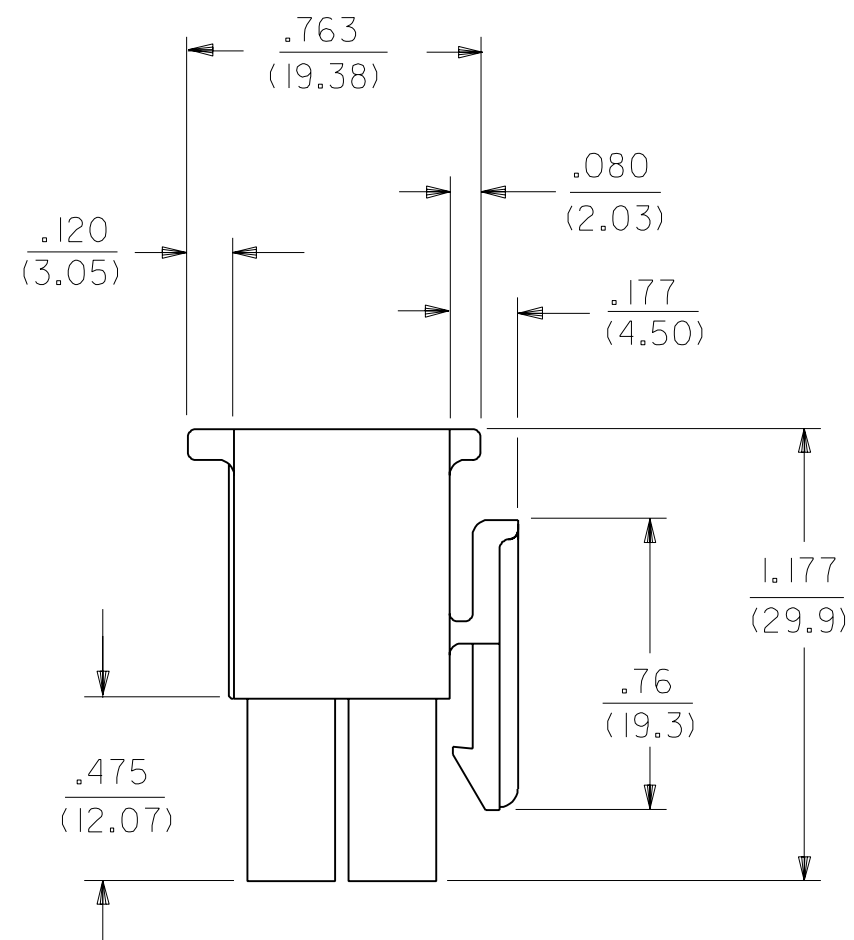
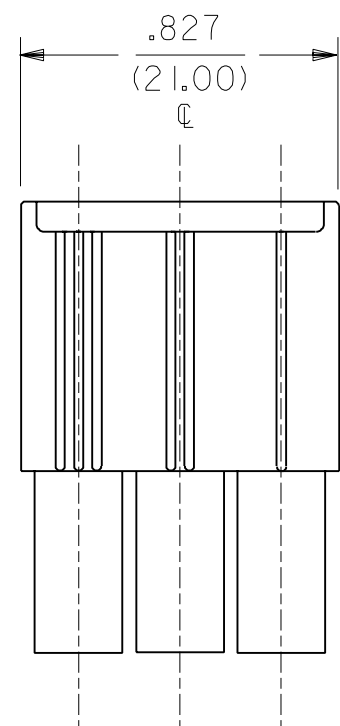
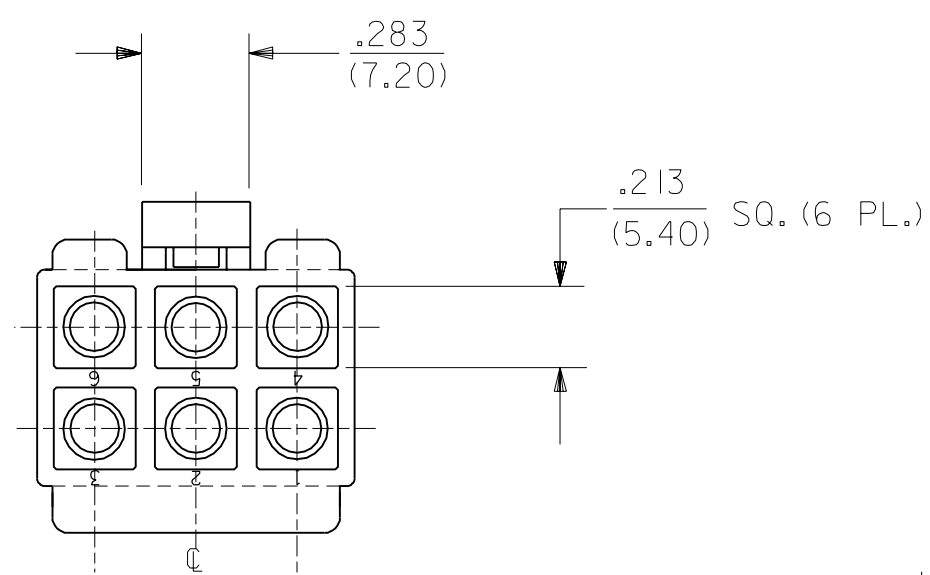


13 12 11 10 9 8 7 6 3191 4 3 2 1

J
I
H
G
F
E
D
C
B
A



RECEPTACLE

DIMENSIONS SHOWN (METRIC) INCH

UNLESS OTHERWISE SPECIFIED TOLERANCES: ANGULAR ± 10°

	INCH	METRIC
3 PLACE	± .010	---
2 PLACE	± .014	± 0.25
1 PLACE	---	± 0.36

DRAFT WHERE APPLICABLE MUST REMAIN WITHIN DIMENSIONS

▽ = ▼ = REVISE ONLY ON CAD SYSTEM

TITLE
 .093/(2.36) HOUSING
 PLUG AND RECEPTACLE
 6 CIRCUIT, .264/(6.70)CTRS

MOLEX INCORPORATED
 LISLE, ILL. 60532 U.S.A.

SHEET NO. 2 DATE 1/22/88

SEE SHEET 3 SD-3191-6*

LTR.	REVISIONS	LTR.	REVISIONS
		J	SEE SHT 1

DRWG. BY JJS CHK'D. BY RW
 APP'D. BY RAS SCALE 2:1

THIS DRAWING CONTAINS INFORMATION THAT IS PROPRIETARY TO MOLEX INC. AND SHOULD NOT BE USED WITHOUT WRITTEN PERMISSION.

13 12 11 10 9 8 7 6 5 4 3 2 1

