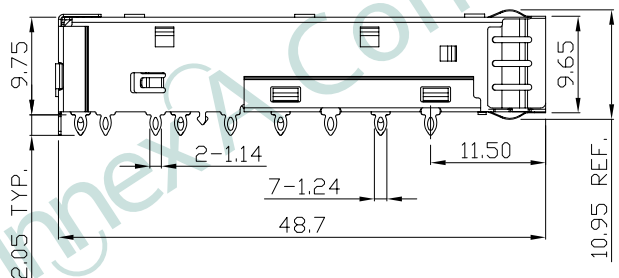
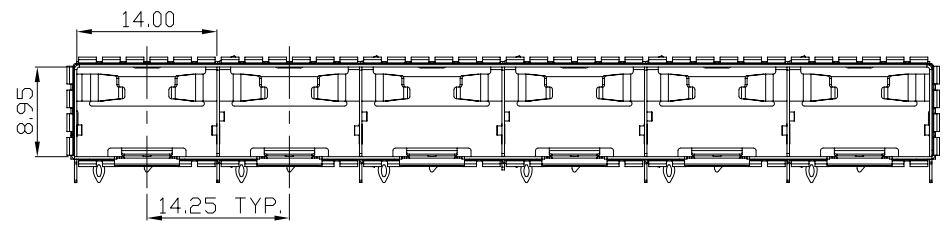
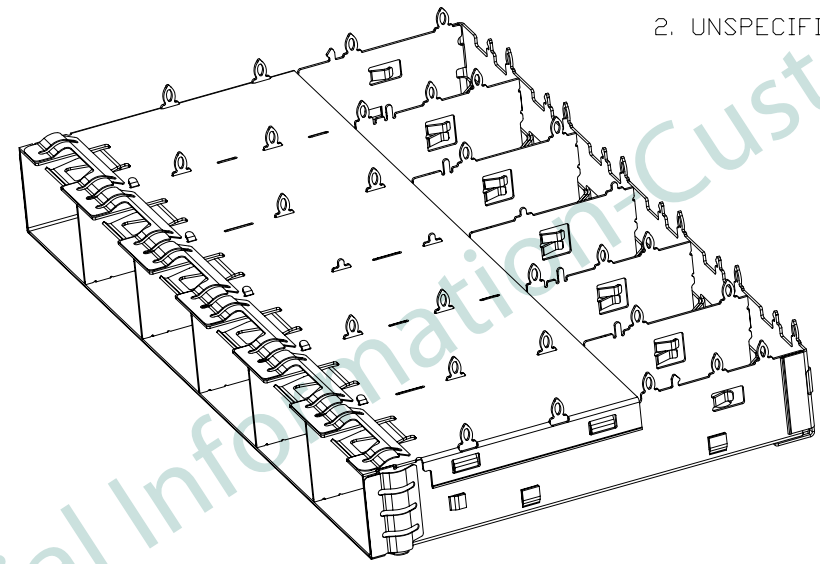
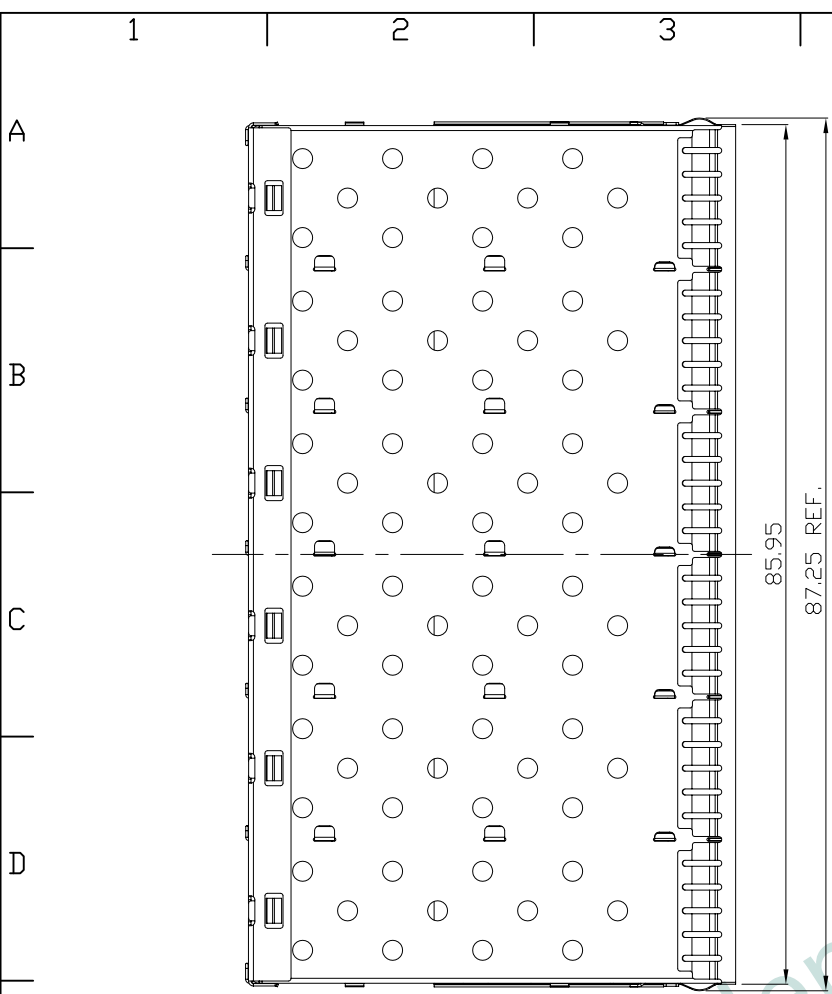
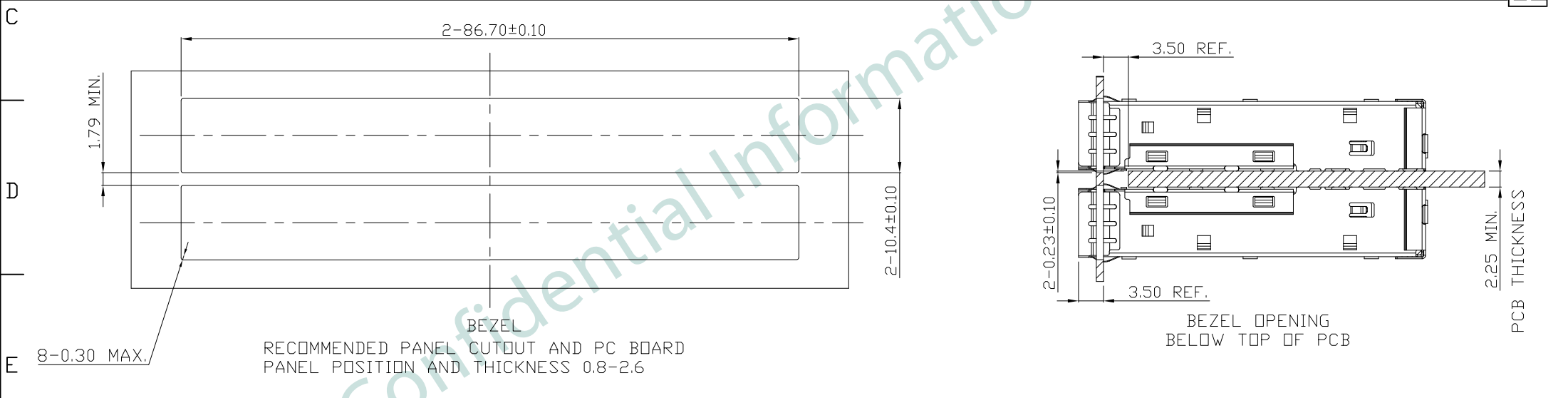
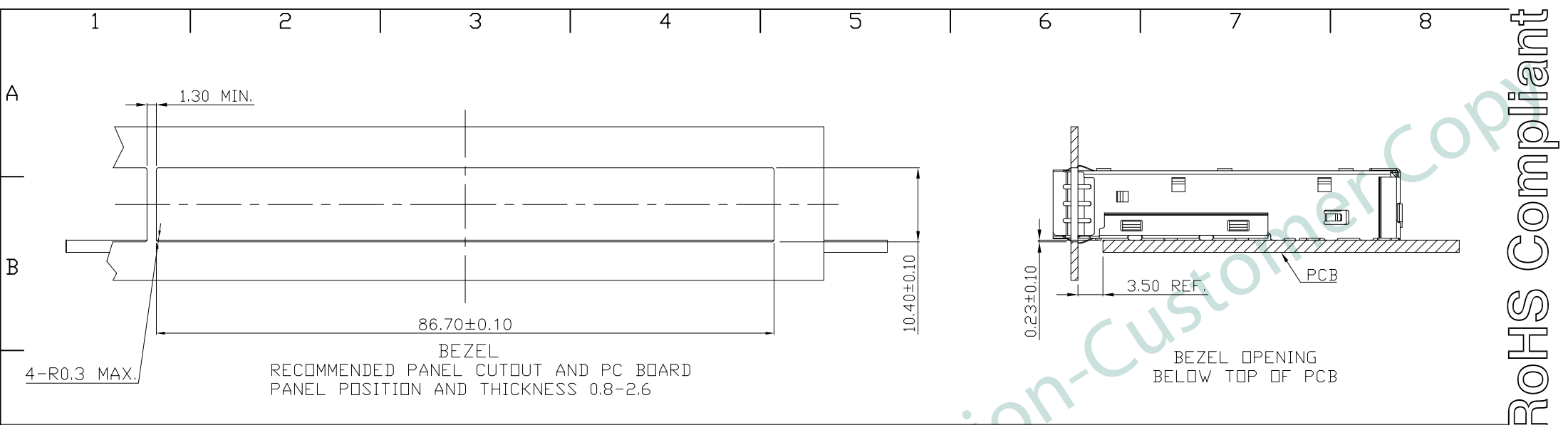


REV.	DATE	DESCRIPTION
01	Mar. 15, '19	1st RELEASE

- NOTES:
1. CAGE: T=0.25mm COPPER ALLOY
  2. UNSPECIFIED TOLERANCE: .XXX ±0.15  
.XX ±0.25



PART NO		KSFP-A-PPFB-0601-XXX		
TITLE		SFP+ 1X6 PORT CAGE, PRESS FIT		
REV : 01				
UNIT	DRAWN	CHKD	DATE	SHEET
mm[inch]	CINDY	VINCENT	Mar. 15, '19	1 of 4



KSFP-A-PPFB-0601-XXX

PRODUCT A: CAGE

CATEGORY P: SFP+

TERMINAL TYPE PF: PRESS FIT

EMI TYPE B: EMI GASKET TAB

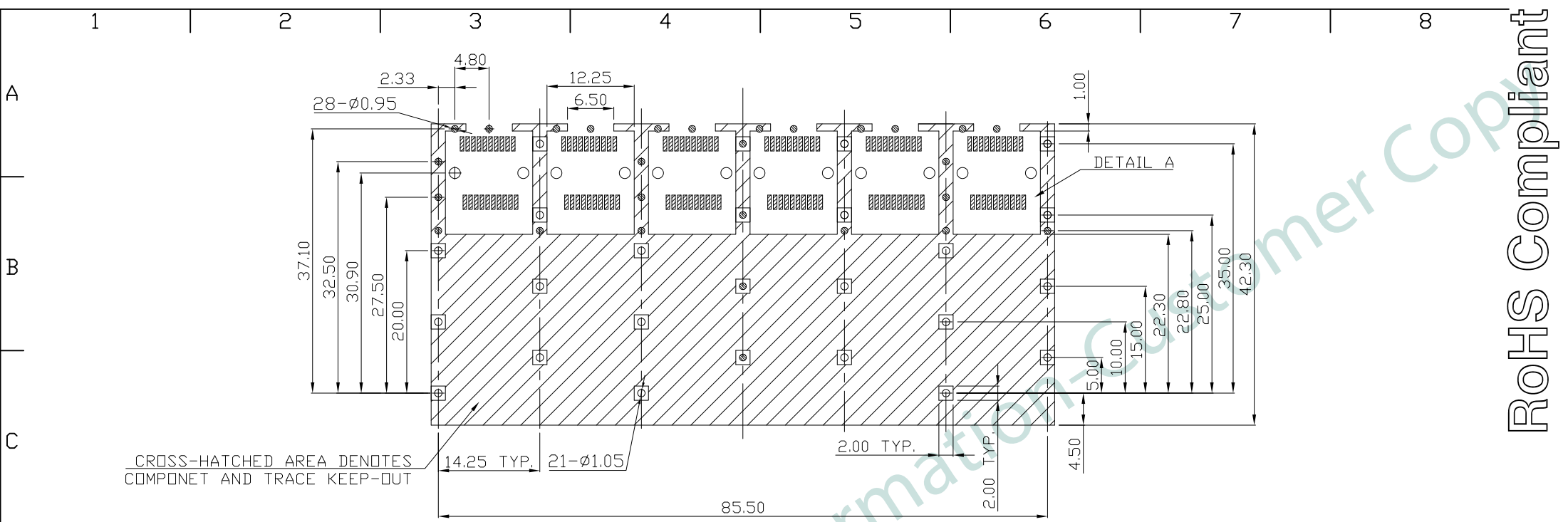
CUSTOMER CODE

SERIAL NUMBER

OPTION O: W/O LIGHT PIPE

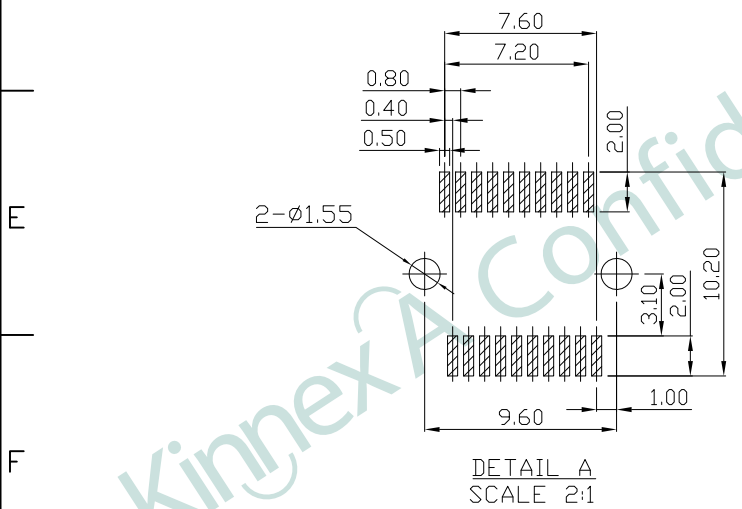
NUMBER OF PORT

PART NO		KSFP-A-PPFB-0601-XXX		
TITLE	SFP+ 1X6 PORT CAGE, PRESS FIT			
REV : 01				
UNIT	DRAWN	CHKD	DATE	SHEET
mm[inch]	CINDY	VINCENT	Mar. 15, '19	2 of 4

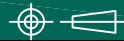


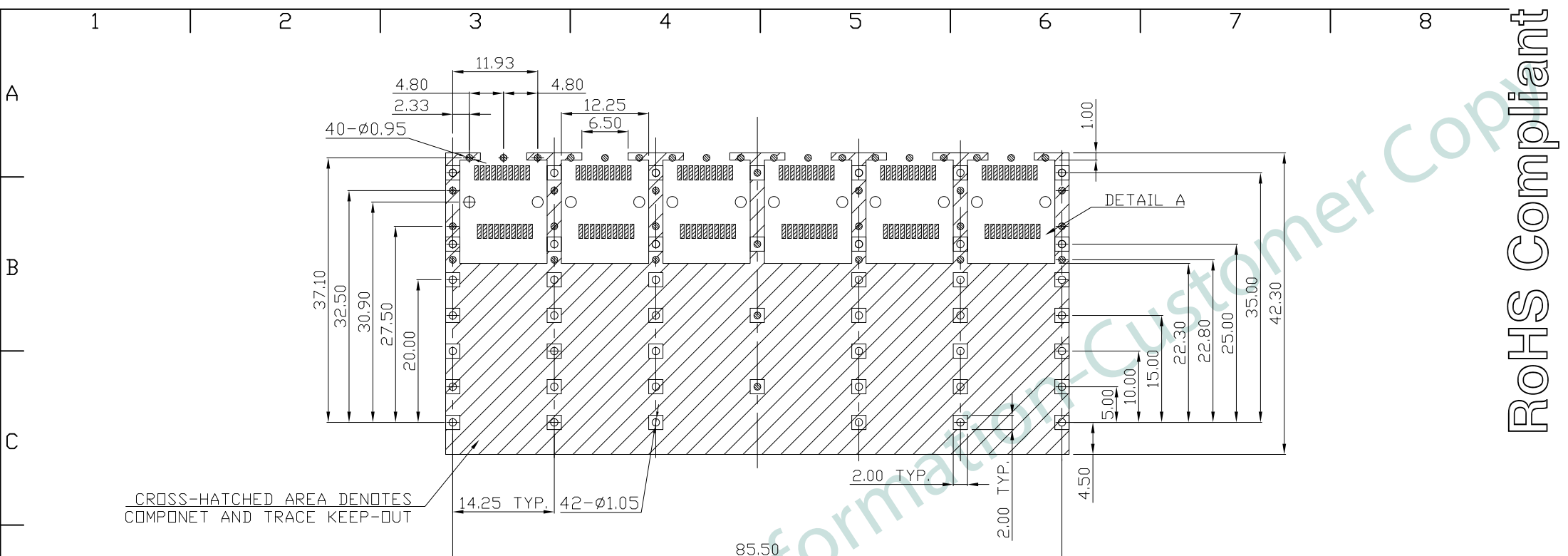
CROSS-HATCHED AREA DENOTES COMPONENT AND TRACE KEEP-OUT

RECOMMENDED PCB LAYOUT (COMPONENT SIDE)  
 RECOMMENDED MINIMUM PCB THICKNESS: 1.50mm  
 (ALL TOLERANCES ARE ±0.05) □ ● ● =THRU HOLE  
 RECOMMENDED PCB CONFIGURATION WITH KEEP-OUT AREAS  
 SINGLE SIDED APPLICATIONS



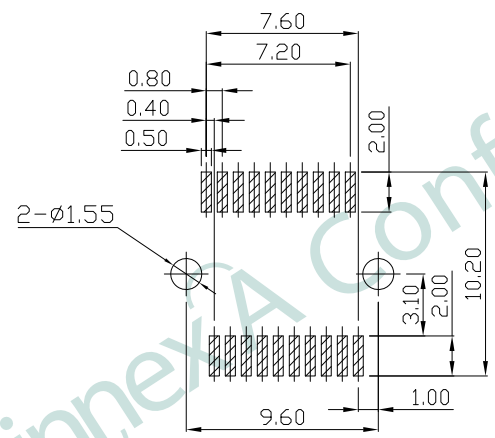
DETAIL A  
SCALE 2:1

 PART NO		KSFP-A-PPFB-0601-XXX		
TITLE	SFP+ 1X6 PORT CAGE, PRESS FIT			
REV : 01				
UNIT	DRAWN	CHKD	DATE	SHEET
mm[inch]	CINDY	VINCENT	Mar. 15, '19	3 of 4



CROSS-HATCHED AREA DENOTES COMPONENT AND TRACE KEEP-OUT

RECOMMENDED PCB LAYOUT (COMPONENT SIDE)  
 RECOMMENDED MINIMUM PCB THICKNESS:1.50mm  
 (ALL TOLERANCES ARE ±0.05) □ ■ ● =THRU HOLE  
 RECOMMENDED PCB CONFIGURATION WITH KEEP-OUT AREAS  
 AREAS BELLY TO BELLY APPLICATIONS



DETAIL A  
SCALE 2:1

PART NO		KSFP-A-PPFB-0601-XXX		
TITLE	SFP+ 1X6 PORT CAGE, PRESS FIT			
REV : 01				
UNIT	DRAWN	CHKD	DATE	SHEET
mm[inch]	CINDY	VINCENT	Mar. 15, '19	4 of 4