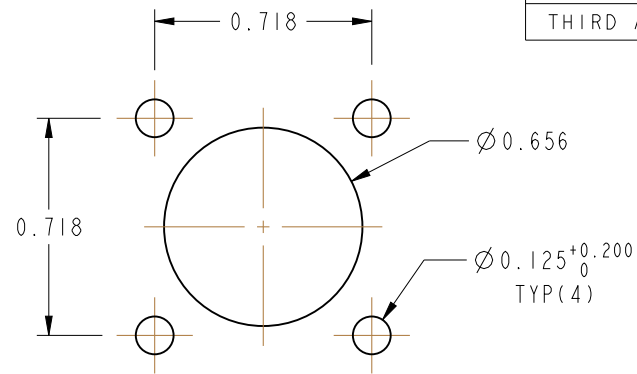


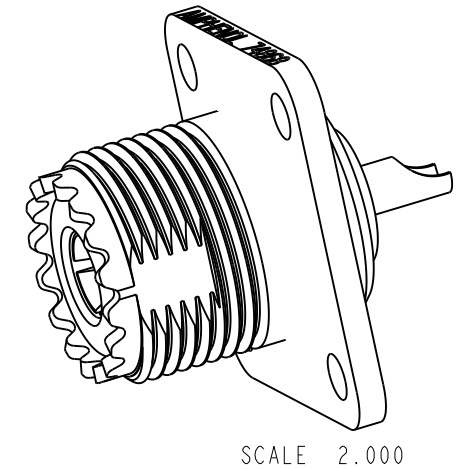
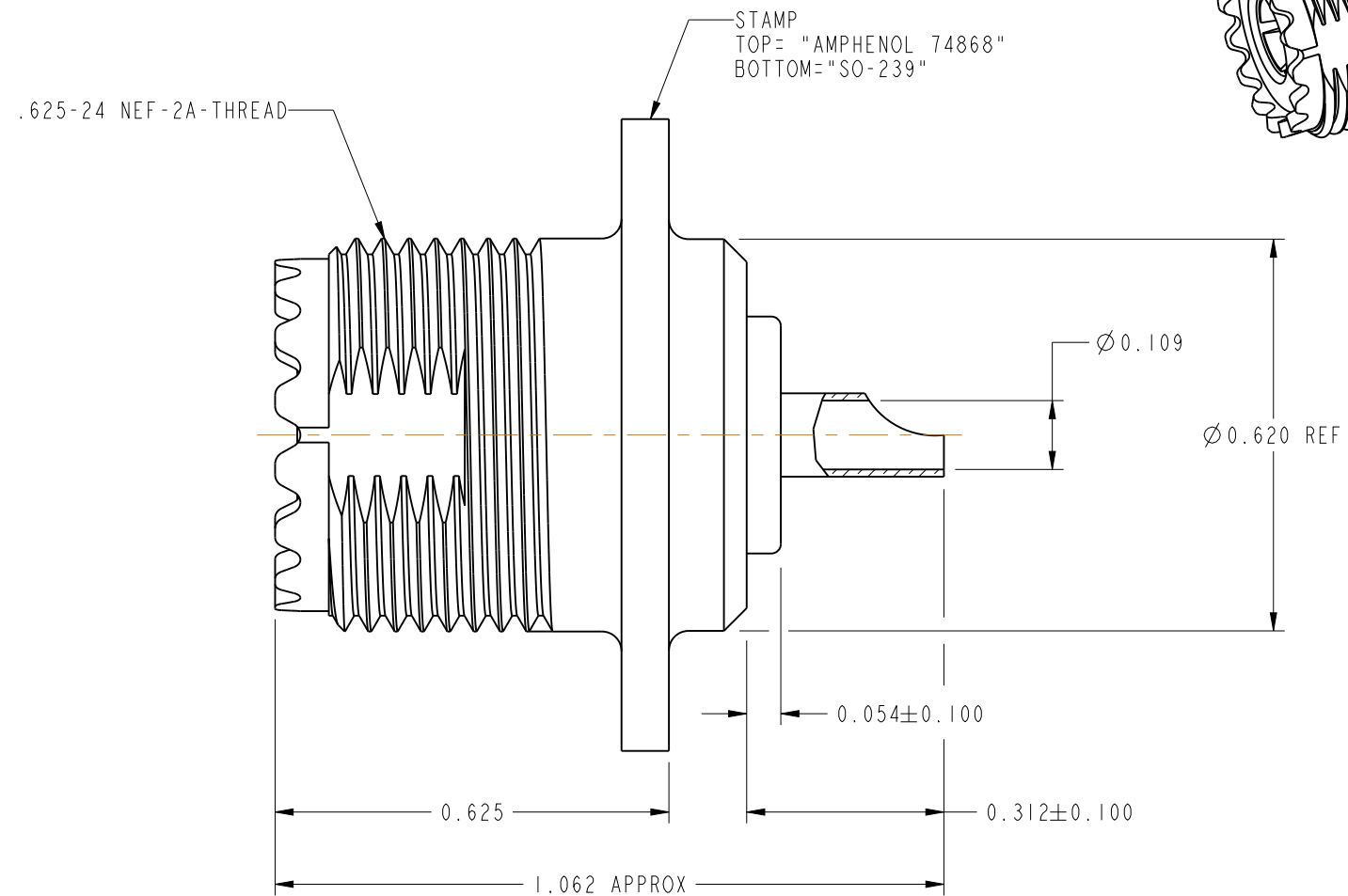
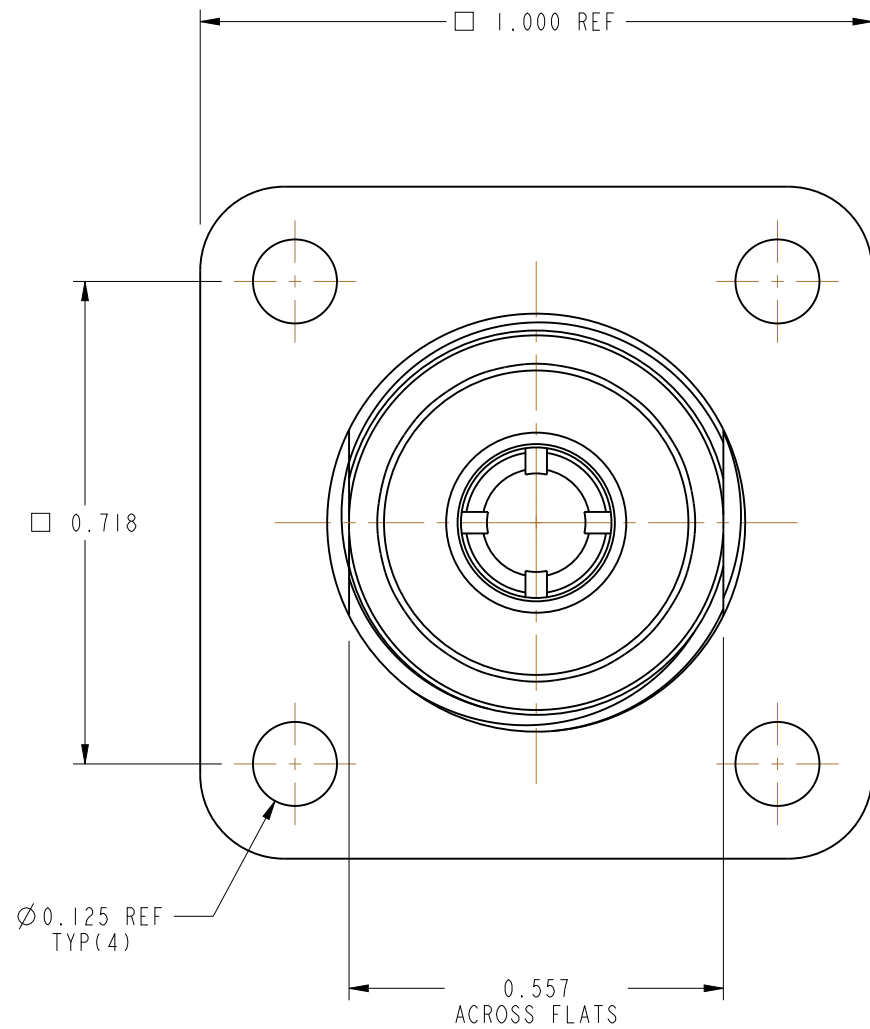
NOTES:

1. MATERIALS AND FINISHES:  
 BODY - ZINC DIE CAST, NICKEL PLATING  
 CONTACT - BRASS, SILVER PLATING  
 INSULATOR - PBT POLYESTER
2. PACKAGING:  
 A. QUANTITY: SINGLE PACK  
 B. MARKING: BAG TO BE MARKED  
 "AMPHENOL RF, 83-1R, AND DATE CODE"

83-1R		REVISIONS			
DRAWING NO.	REV	DESCRIPTION	DATE	ECO	APPR
THIRD ANGLE PROJ.	⊕	RELEASE TO MFG.	--	--	
	AH	REDRAWN TO PRO-E, ADD COD	7/14/11	48601	AAP
	AJ	ADD STAMPING TO ASSY DWG	11/15/11	48803	CPM
	AK	SEE SHEET 1 FOR DETAILS	3/1/13	49333	CPM
	AL	CORRECTED STAMP & TITLE BLOCK	1/19/15	50339	CPM
	AM	CORRECTED STAMP	3/27/15	50445	CPM



**RECOMMENDED MOUNTING HOLE DIMENSIONS**



**CUSTOMER OUTLINE DRAWING**  
 ALL OTHER SHEETS ARE FOR INTERNAL USE ONLY

UNLESS OTHERWISE SPECIFIED, DIMENSIONS ARE IN INCHES AND TOLERANCES ARE: 2 PLACE DECIMAL ±.015 (0,381 mm) 3 PLACE DECIMAL ±.005 (0,127 mm) ANGLES ± 1°	MATERIAL SEE NOTES	DRAWN A ARUN PRABU	DATE 11-Jun-09	TITLE SPECIAL NICKEL PLATED UHF RECEPTACLE SO-239	Amphenol RF Danbury, CT, USA Tainan, Taiwan Shenzhen, China www.amphenolrf.com
	REFERENCE	ENGINEER D. ROYCE	DATE 10-Jun-81		
NOTICE - These drawings, specifications, or other data (1) are, and remain the property of Amphenol Corp. (2) must be returned upon request; and (3) are confidential and not to be disclosed to any person other than those to whom they are given by Amphenol Corp. The furnishing of these drawings, specifications, or other data by Amphenol Corp., or to any other person to anyone for any purpose is not to be regarded by implication or otherwise in any manner licensing, granting rights or permitting such holder or any other person to manufacture, use or sell any product, process or design, patented or otherwise, that may in any way be related to or disclosed by said drawings, specifications, or other data.		APPROVED K. CAPOZZI	DATE 6/30/11		SCALE: 3.5:1 SHEET 2 OF 2
		CAD FILE Root Folder/UHF/83-1R	CODE ID 74868	DWG SIZE B	DRAWING NO. 83-1R