

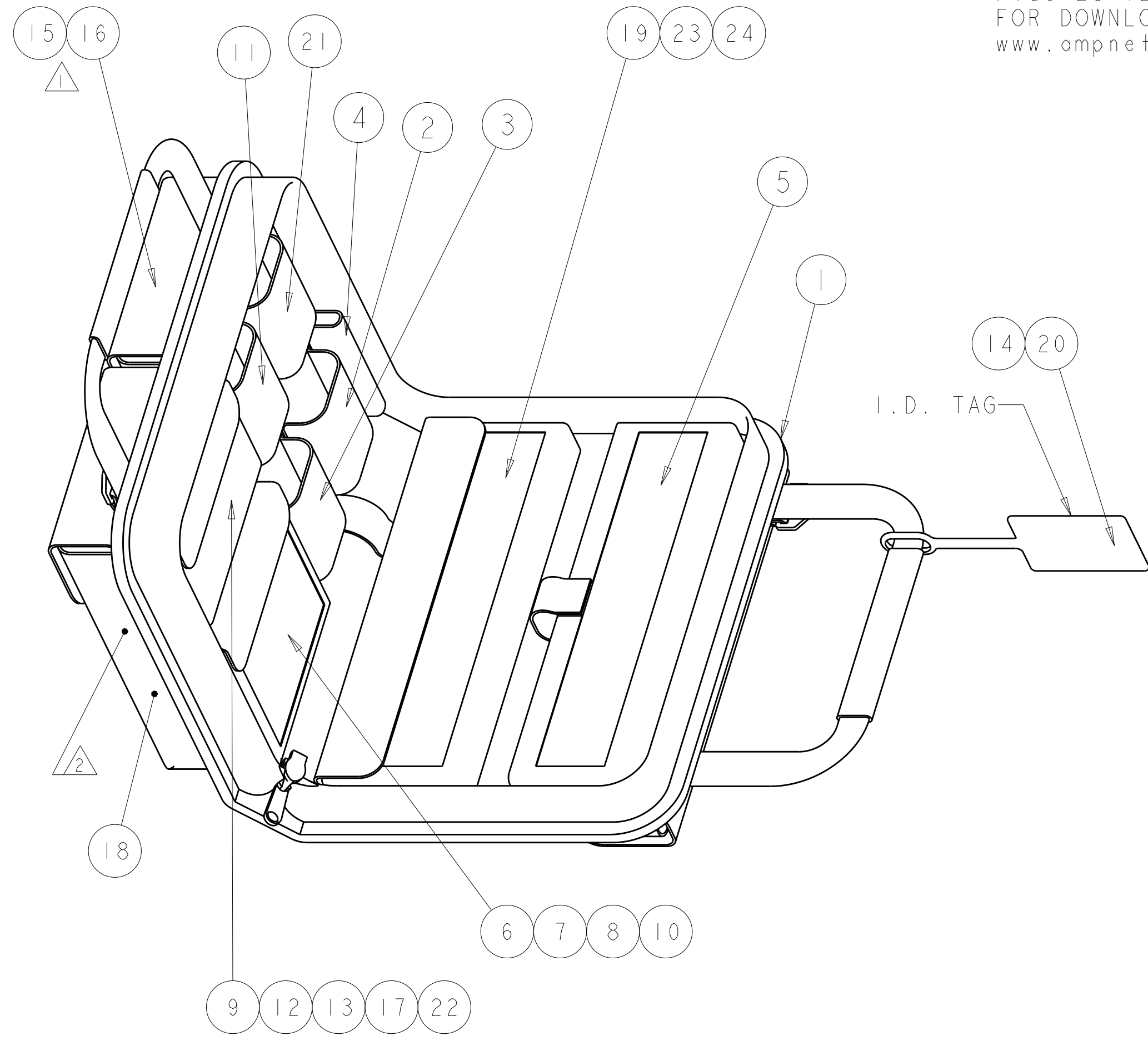
THIS DRAWING IS UNPUBLISHED. RELEASED FOR PUBLICATION 20
 © COPYRIGHT 20 BY - ALL RIGHTS RESERVED.

REVISIONS				
P	LTR	DESCRIPTION	DATE	APVD
	AB	ECO-13-012991	14AUG2013	JM TE

1 MANUFACTURERS' INSTRUCTION SHEETS

2 OPTIONAL SHOULDER STRAP

3. INSTRUCTION SHEETS 408-4020, 408-8925, 408-10103
 408-4555, 408-4457, AND 408-4471 EXPLAIN THE LightCrimp
 Plus LC TERMINATION TECHNIQUE AND ARE AVAILABLE
 FOR DOWNLOAD AT www.tycoelectronics.com/documents OR
www.ampnetconnect.com/foguide



OBSOLETE
OBSOLETE
SUPERCEDED BY:
1278118-4

QTY	UNIT	DESCRIPTION	PART NUMBER	ITEM			
1	-	MICROSCOPE ADAPTER, 1.25mm	1754765-1	24			
1	-	MICROSCOPE ADAPTER, MT-RJ	1754768-1	23			
1	1	CABLE CLAMP	1278625-1	22			
1	1	SLITTER TOOL, 2mm & 3mm	1553661-1	21			
1	-	LABEL, TERMINATION KIT	1374331-2	20			
1	-	200x MICROSCOPE KIT	1754767-1	19			
1	1	FIBER CLEAVER, SLIDE CUTTER	1871696-1	18			
1	1	BALL END HEX KEY (5)	1457999-1	17			
1	1	FIBER OPTICS CLEANING & INSPECTION GUIDE	2064710-1	16			
1	1	CD - ROM, TERMINATION TRAINING	1374503-1	15			
-	1	LABEL, TERMINATION KIT	1374331-1	14			
1	1	STRIP TEMPLATE, MT-RJ	1278598-1	13			
2	2	ACTUATION KEY, MT-RJ	1278576-1	12			
1	1	MICRO-STRIP TOOL MT-RJ (.008IN)	492109-2	11			
1	1	OPTIMATE CABLE STRIPPER	501198-1	10			
14	14	ALCOHOL WIPES	501857-2	9			
1	1	CABLE HOLDER, LightCrimp Plus/LC/SC	2064540-1	8			
1	1	CABLE HOLDER, LightCrimp Plus/ST	492703-1	7			
1	1	DIESET, LightCrimp Plus/ST	492622-1	6			
1	1	HANDTOOL, LightCrimp Plus/LC/SC/SPLICE	2064603-1	5			
2	2	OPEN END WRENCH, 1/4IN	1278422-1	4			
1	1	ARAMID YARN SHEARS	1278637-1	3			
1	1	FIBER STRIP TOOL, COMBINATION	1754708-1	2			
1	1	PREMIUM SOFTCASE	1278540-1	1			
-5	-4	-3	-2	-1	DESCRIPTION	PART NUMBER	ITEM

THIS DRAWING IS A CONTROLLED DOCUMENT.

DWN: T. ALEXANDER 15NOV2000
 CHK: M. HAMONKO 15NOV2000
 APVD: S. BUCHTER 15NOV2000

STE TE Connectivity

NAME: TERMINATION KIT, COMBINATION, LightCrimp Plus, AMP SC/LC/ST AND MT-RJ JACK

SIZE: A2 CAGE CODE: - DRAWING NO: C-1278118 RESTRICTED TO: -

MATERIAL: - DIMENSIONS: INCHES TOLERANCES UNLESS OTHERWISE SPECIFIED: 0 PLC ±- 1 PLC ±0.1 2 PLC ±0.02 3 PLC ±0.005 4 PLC ±0.0005 ANGLES ±- FINISH -

WEIGHT: - APPLICATION SPEC: - PRODUCT SPEC: -

CUSTOMER DRAWING SCALE: 1:2 SHEET: 1 OF 1 REV: AB