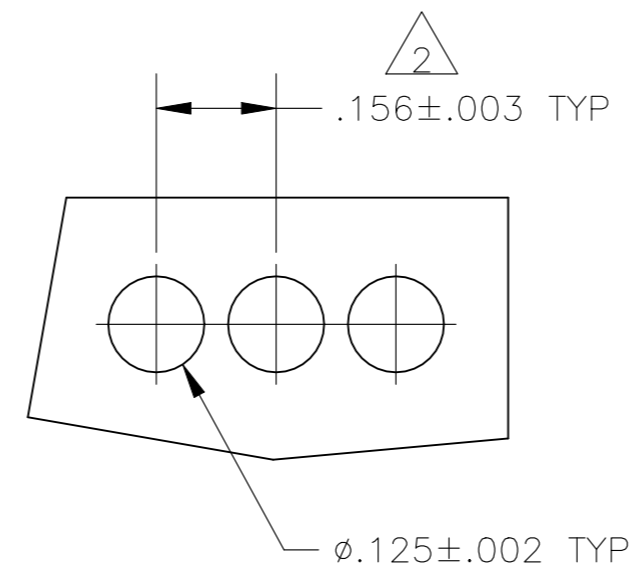
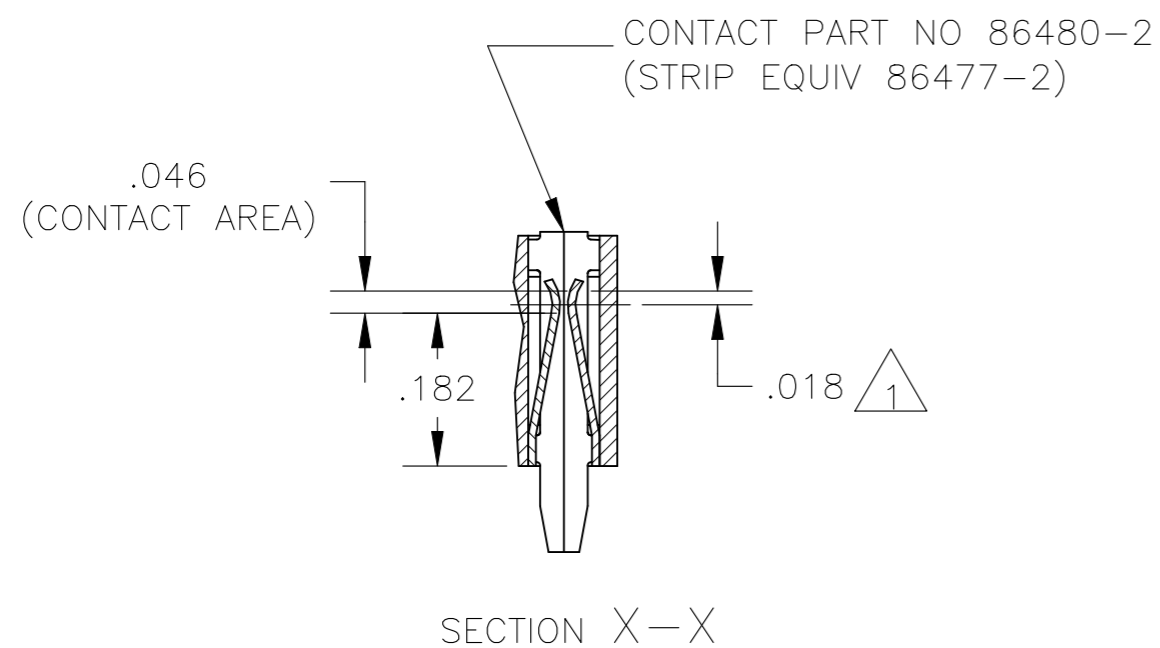
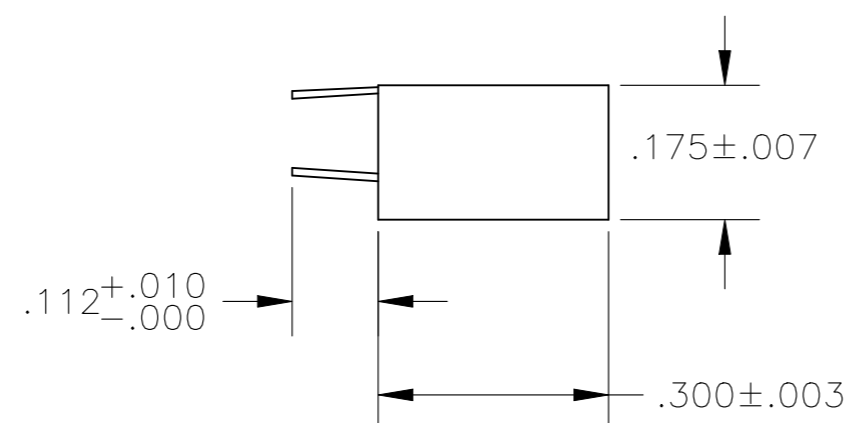
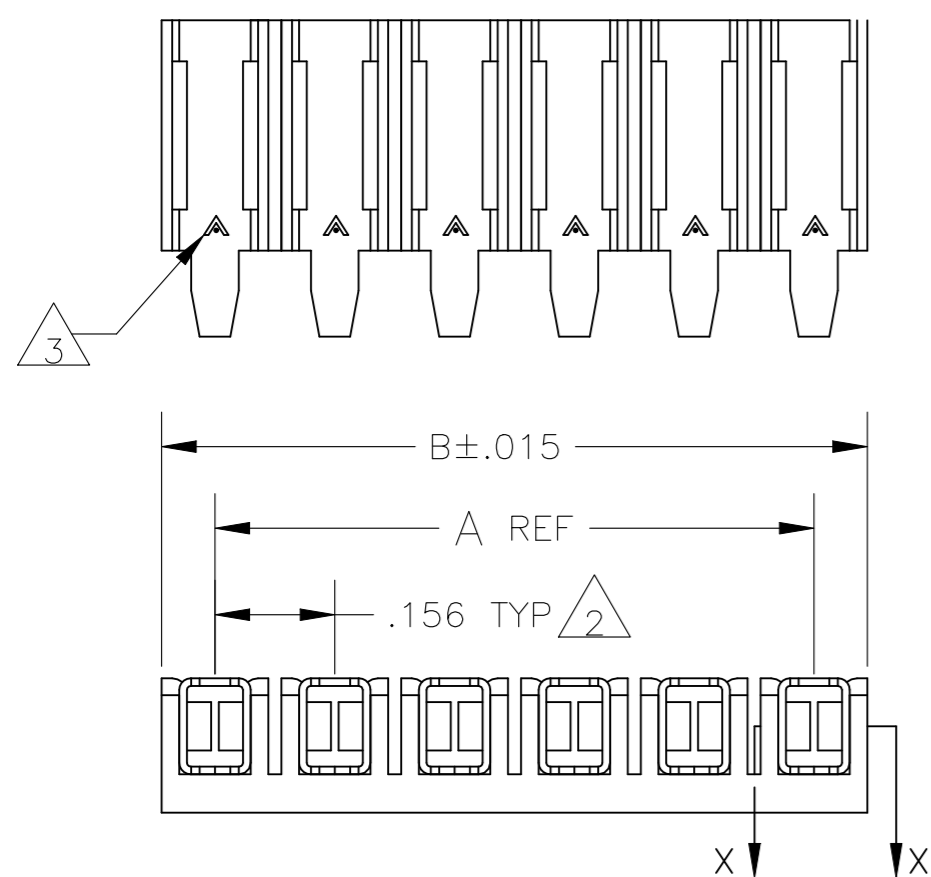


REVISIONS				
P	LTR	DESCRIPTION	DATE	DWN APVD
K		RESIN SUPPLIER CHANGE FOR THE HOUSING	02MAY2022	SCB PS



RECOMMENDED BOARD MOUNTING
(RECOMMENDED BOARD THICKNESS: .055-.070)

- 1 POINT OF MEASUREMENT FOR PLATING THICKNESS (INSIDE OF BEAMS).
- 2 TOLERANCE NON-CUMULATIVE.
- 3 THE MATING END OF THE CONTACT IS IDENTIFIED BY THE LETTER "A" STAMPED ON THE RECEPTACLE BOX.
- 4 OBSOLETE PARTS: OBSOLETE CIS STREAMLINING PER D.RENAUD/D.SINISI



	3.120	2.964	20	2-87984-0
	2.964	2.808	19	1-87984-9
	2.808	2.652	18	1-87984-8
	2.652	2.496	17	1-87984-7
	2.496	2.340	16	1-87984-6
	2.340	2.184	15	1-87984-5
	2.184	2.028	14	1-87984-4
	2.028	1.872	13	1-87984-3
	1.872	1.716	12	1-87984-2
	1.716	1.560	11	1-87984-1
	1.560	1.404	10	1-87984-0
	1.404	1.248	9	87984-9
	1.248	1.092	8	87984-8
	1.092	.936	7	87984-7
	.936	.780	6	87984-6
	.780	.624	5	87984-5
	.624	.468	4	87984-4
	.468	.312	3	87984-3
	.312	.156	2	87984-2
	B	A	NO OF POSN	ASSEMBLY PART NUMBER

THIS DRAWING IS A CONTROLLED DOCUMENT.		DWN L D RINGLEY 17MAR86	TE TE Connectivity	
DIMENSIONS: INCHES		CHK P C DEJONG 18MAR86		
TOLERANCES UNLESS OTHERWISE SPECIFIED:		APVD P C DEJONG 18MAR86	NAME	
0 PLC ± -		PRODUCT SPEC 108-25,016	ASSY, MOD I, BOARD MOUNT RECP, .156CL, STD PRESSURE, TYPE A, FOR ROUND HOLE MOUNTING	
1 PLC ± -		APPLICATION SPEC 114-25,004	SIZE A2	CAGE CODE 00779
2 PLC ± -		WEIGHT -	DRAWING NO C=87984	RESTRICTED TO -
3 PLC ± .005		CUSTOMER DRAWING		
4 PLC ± -		SCALE 4:1	SHEET 1 OF 1	REV K
ANGLES ± -				
MATERIAL HOUSING-FLAME RETARDANT THERMOPLASTIC, COLOR-BLACK CONTACTS: PHOS BRONZE		FINISH .000030 GOLD IN THE CONTACT AREA, GOLD FLASH ON THE REMAINDER, ALL OVER .000050 NICKEL		