

SCALE 4:1

COLDING Z
COLOR:WATER BLUE

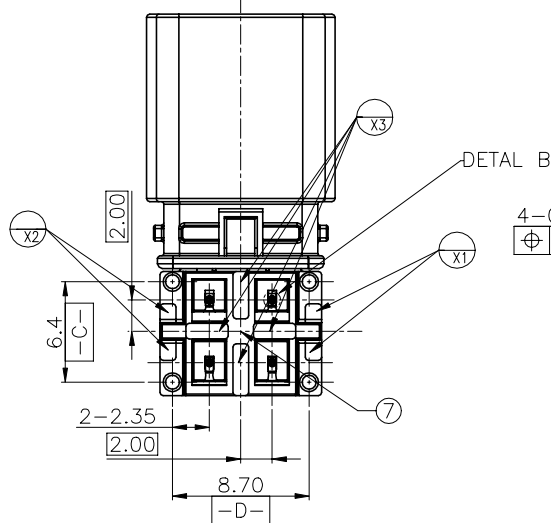
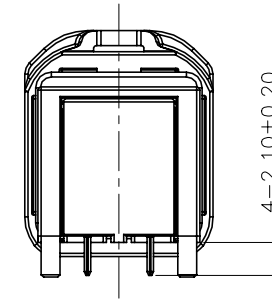
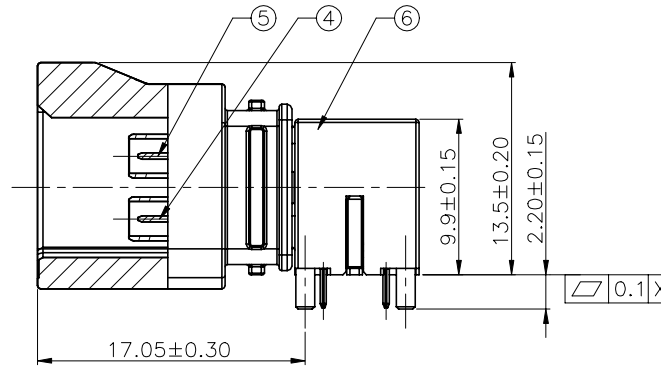
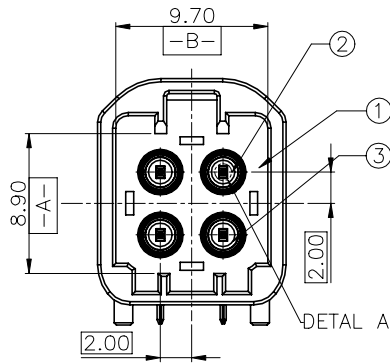
NOTES:

1. MATERIAL IS ZN5,PLATING: NICKLE 1-3um; Tin 3-5um
2. FREE RADIUS NOT TO EXCEED R0.1mm
3. THE CAVITY,LOGO MAX HEIGHT 0.10mm ABOVE SURFACE.
THE TEXT HEIGHT IS ABOUT 2mm.
4. OTHERWISE SPECIFIED PLS REFER TO STANDARD DOCUMENT NO.DC-016
5. PART NUMBER

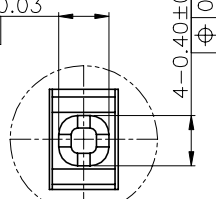
92804-004 X X -Cax

CKTS _____ CODING:
x:REFERENCE ON PAGE.2 TABLE

PACKING _____ PLATING
0:TAPE & REEL 1: AU

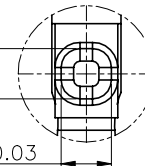


4-0.40±0.03
Φ 0.3 B



DETAIL A
SCALE 16:1

4-0.40±0.03
Φ 0.3 C

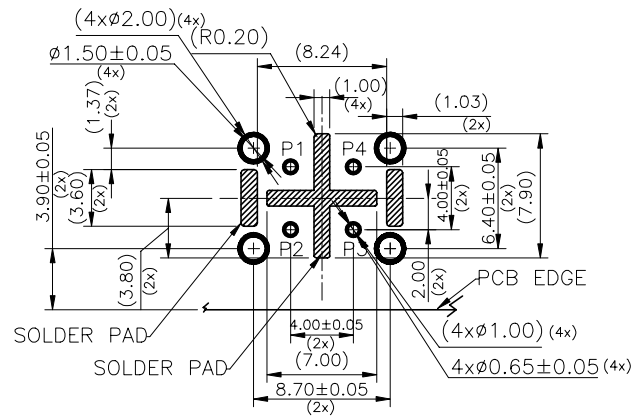


DETAIL B
SCALE 16:1

No.	DESCRIPTION	Q'TY	MATERINALS	FISISHED
1	HOSUING	1	PLASTIC	WATER BLUE
2	INSULATOR 1	2	PLASTIC	NATURAL
3	INSULATOR 2	2	PLASTIC	NATURAL
4	CENTER CONTACT 1	2	COPPER ALLOY	GOLD PLATED
5	CENTER CONTACT 2	2	COPPER ALLOY	GOLD PLATED
6	BODY	1	ZINC ALLOY	TIN PLATED
7	COVER	1	ZINC ALLOY	TIN PLATED

QUALITY SYMBOLS MAJOR Ⓢ QUARTERLY CRITICAL Ⓢ GENERAL TOLERANCES (UNLESS SPECIFIED) X. ±0.5 .X ±0.25 .XX ±0.15 .XXX ±0.1 ANGLES ±2°	DRAWN BY Lin Liang Ju 20/07/22	DATE 20/07/22		TITLE Mini FAKRA Male Conn.T/H R/A
	CHECKED BY Lee Kuang En 20/07/22	DATE 20/07/22		
	APPROVED BY Chen Chi Chang 20/07/22	DATE 20/07/22	UNITS mm	SIZE A4
	SCALE 2 : 1	SHEET NO. 2 OF 1	DWG NO. 92804-004XX-CAX	PART NO. SEE NOTES

Coding								
Coding	A KEY	B KEY	C KEY	D KEY	E KEY	F KEY	Z KEY	1 KEY
Plug								
Color	Black	White	Blue	Bordeaux	Green	Brown	Waterblue	Waterblue
RAL	Sim. 9005	Sim. 9010	Sim. 5012	Sim. 4004	Sim. 6017	Sim. 8011	Sim. 5021	Sim. 5021



RECOMMENDED PCB LAYOUT
TOLERANCE ± 0.05
SOLDER AREA: : PAD AREA
STAND OFF AREA:

QUALITY SYMBOLS	DRAWN BY	DATE				
MAJOR QUARTERLY	Lin Liang Ju	20'07/22				
CRITICAL	CHECKED BY	DATE	TITLE			
GENERAL TOLERANCES	Lee Kuang En	20'07/22			Mini FAKRA Male Conn.T/H R/A	
(UNLESS SPECIFIED)	APPROVED BY	DATE	UNITS	SHEET NO.		
X. ± 0.5	Chen Chi Chang	20'07/22	mm	2 OF 2	A4	92804-004XX-CAX
.X ± 0.25			SCALE		REV	PART NO.
.XX ± 0.15			2 : 1		A	SEE NOTES
.XXX ± 0.1						
ANGLES $\pm 2^\circ$						