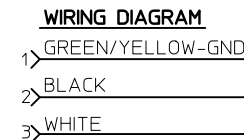
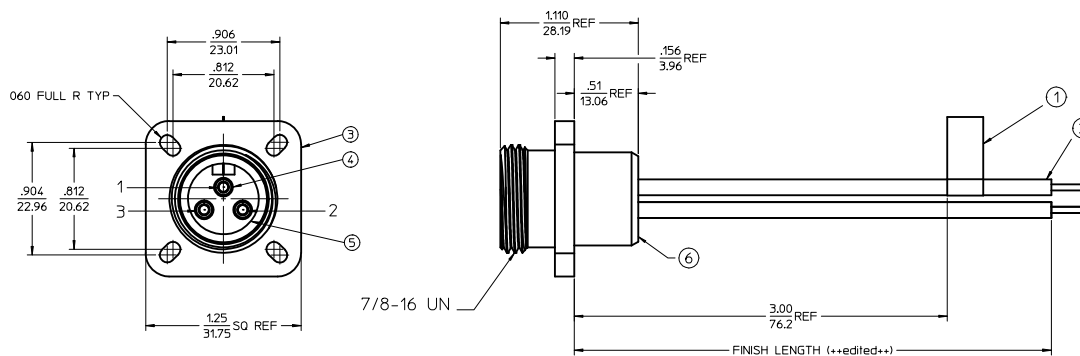
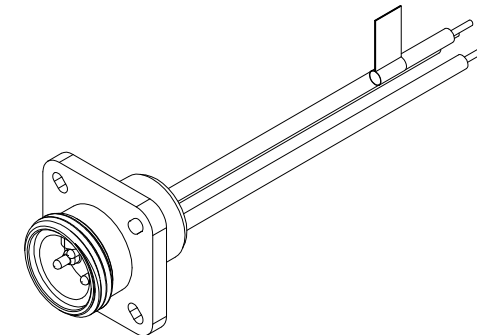


MATERIAL NUMBER	OLD PART NUMBER	FINISH LENGTH
130013-0280	1R3G06A20A120	1.0'+.75-0 [.3M+19.1-0]

VOLTAGE RATING	600 VAC/VDC
AMPERAGE RATING	13A
PROJECTION	IP67
OPERATING TEMPERATURE	-20° C TO 105° C
UL CERTIFICATIONS	UL RECOGNIZED, FILE NO. E152210
CSA CERTIFICATIONS	CSA CERTIFIED, FILE NO. LR6837



ITEM.	QTY.	COMPONENT	MATERIAL	FINISH
1	1	FLAG LABEL	PLASTIC FILM	BLACK/YELLOW
2	3	CONDUCTOR-16 AWG. 26X#30 COPPER STRANDING 600V	PVC	SEE WIRING DIAGRAM
3	1	RECEPTACLE SHELL	ALUMINUM	ANODIZED
4	3	CONTACT PIN	COPPER ALLOY	GOLD PLATED
5	1	3 POLE INSERT	PVC	YELLOW
6	1	POTTING	EPOXY	BLACK

CREATE DOC EC NO: WNA2010-0423 DRAWN BY: B. RUPERT CHKD BY: WOODMAN APPR: J. MURPHY	QUALITY SYMBOLS ▽=0 ▽=0	GENERAL TOLERANCES (UNLESS SPECIFIED)		DIMENSION STYLE IN/MM	SCALE 2:1	DESIGN UNITS INCH	THIRD ANGLE PROJECTION			
		4 PLACES ±.005	3 PLACES ±.005	2 PLACES ±0.013	1 PLACE ±.005	ANGULAR ±1/2°	DRAFT WHERE APPLICABLE MUST REMAIN WITHIN DIMENSIONS	DRAWN BY: B. RUPERT DATE: 01/07/2010 CHECKED BY: B. WOODMAN DATE: 01/07/2010 APPROVED BY: J. MURPHY DATE: 2010/01/14	TITLE MALE FLANGE RECEP. MINI-CHANGE 3P 16AWG PVC	MATERIAL NO. SEE CHART