



EVAL6562-80W

L6562-80W high performance transition mode PFC evaluation board

Data Brief

General description

The L6562 is a current-mode PFC controller operating in Transition Mode (TM). Pin-to-pin compatible with the predecessor L6561, it offers improved performance. The L6562 - 80W Evaluation Board is specific for 80W PFC pre-regulator and designed to operate in wide-range mains.



Figure 1. EVAL6562 - 80W schematic

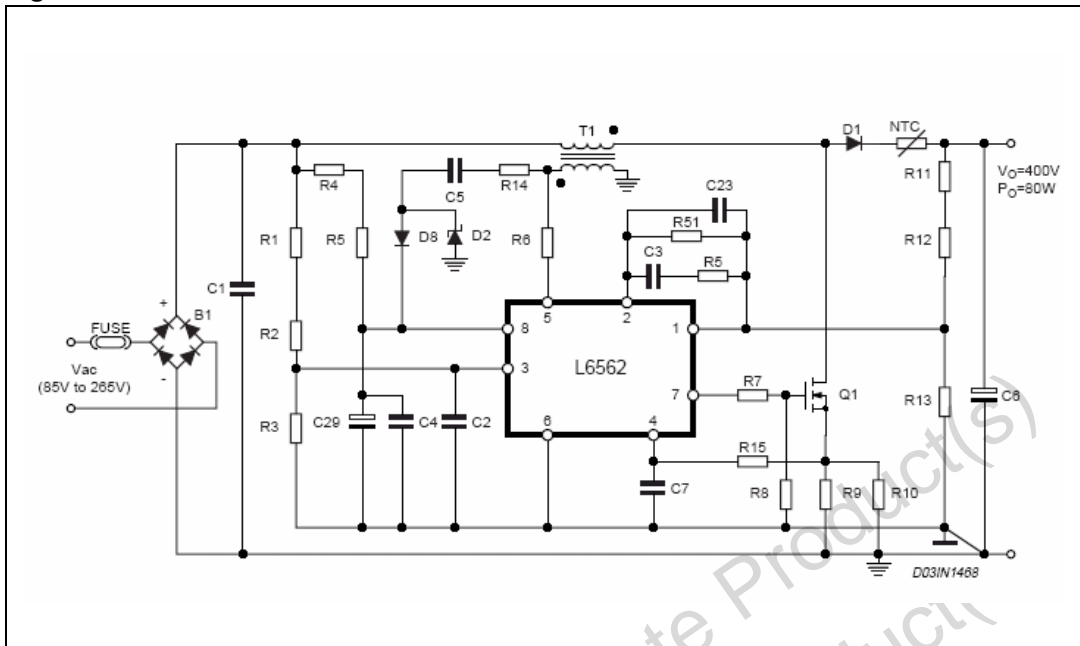


Figure 2. EVAL6562 - 80W : PCB and component layout (top view, real size: 57 x 108mm)

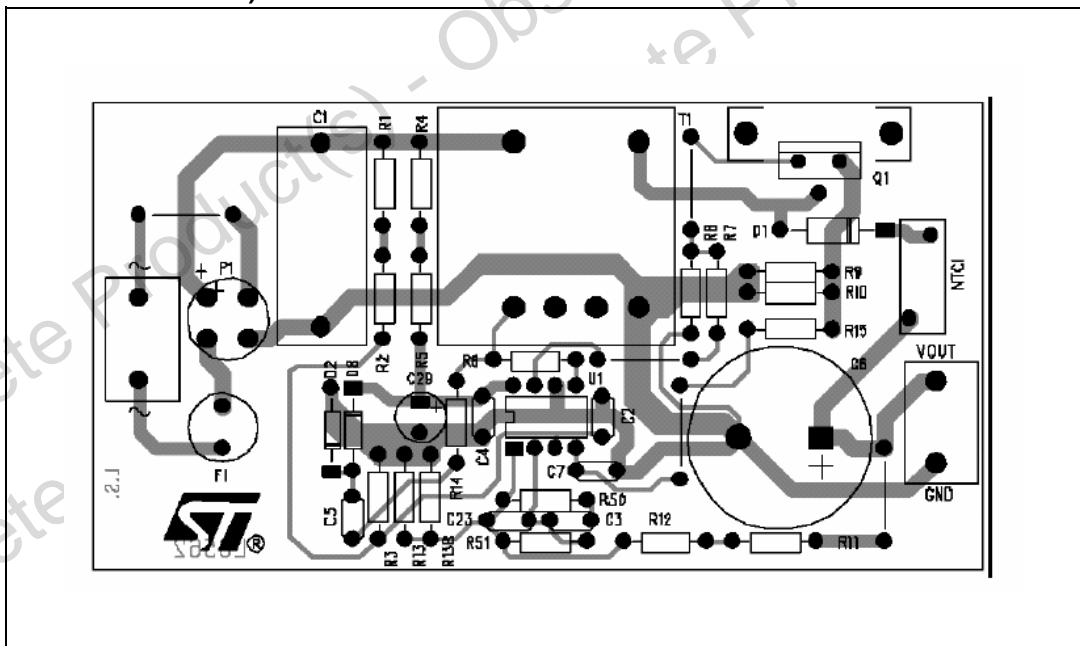
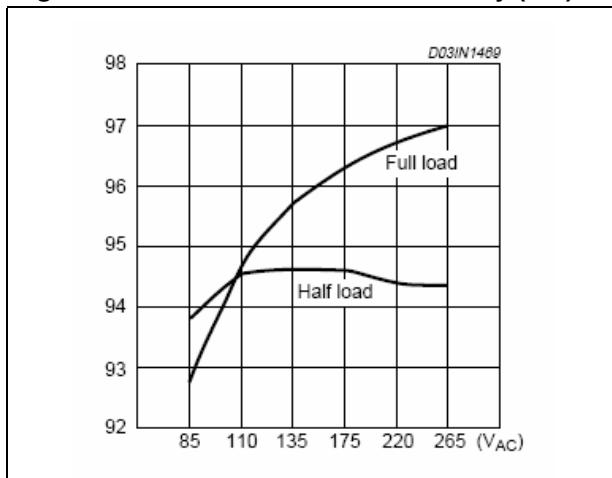
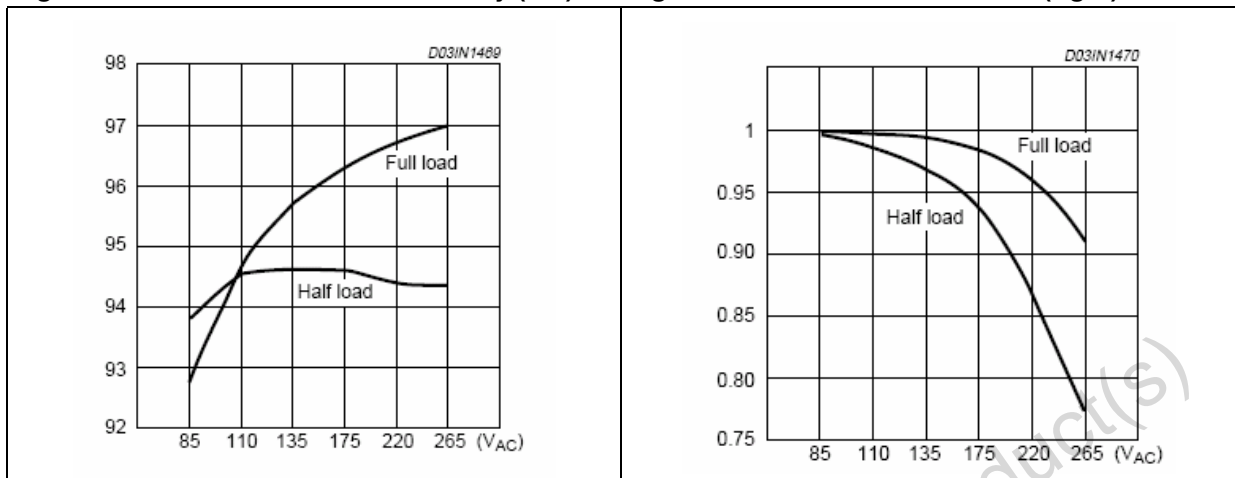


Table 1. Part list

Parameters	Values
R1	750K Ω 1%
R2	750K Ω 1%
R3	10K Ω 1%
R4, R5	180K Ω 5%
R6	68K Ω 5%
R7	33 Ω
R8	47K Ω
R9, R10	0.82 Ω , 0.6W
R11, R12	750K Ω 1%
R13	9.53K Ω 1%
R14	100 Ω , 5%
R15	shorted
R50	12K Ω
R51	N.A
NTC	2.5
C1	0.47 μ F 400V
C2	10nF
C3	0.68 μ F
C4	100nF
C5	12nF
C6	47 μ F, 450V
C7	N.A
C23	33nF
C29	22 μ F, 25V
D1	STTH1L06
D2	1N5248B
D8	1N4148
Q1 (TO220)	STP8NM50
BRIDGE	DF06M
FUSE	4A/250V

- T1: Boost inductor spec (ITACOIL E2543/E)
 - E25x13x7 core, 3C85 ferrite
 - 1.5mm gap for 0.7mH primary inductance
 - Primary: 105 turns (20x0.1mm)
 - Secondary: 11 turns (0.1mm)

Figure 3. EVAL6562 - 80W: efficiency (left)

Figure 4. EVAL6562 - 80W: PF (right) vs. V_{in} 

1 Revision history

Table 2. Revision history

Date	Revision	Changes
03-Nov-2006	1	First issue

Obsolete Product(s) - Obsolete Product(s)
Obsolete Product(s) - Obsolete Product(s)

Please Read Carefully:

Information in this document is provided solely in connection with ST products. STMicroelectronics NV and its subsidiaries ("ST") reserve the right to make changes, corrections, modifications or improvements, to this document, and the products and services described herein at any time, without notice.

All ST products are sold pursuant to ST's terms and conditions of sale.

Purchasers are solely responsible for the choice, selection and use of the ST products and services described herein, and ST assumes no liability whatsoever relating to the choice, selection or use of the ST products and services described herein.

No license, express or implied, by estoppel or otherwise, to any intellectual property rights is granted under this document. If any part of this document refers to any third party products or services it shall not be deemed a license grant by ST for the use of such third party products or services, or any intellectual property contained therein or considered as a warranty covering the use in any manner whatsoever of such third party products or services or any intellectual property contained therein.

UNLESS OTHERWISE SET FORTH IN ST'S TERMS AND CONDITIONS OF SALE ST DISCLAIMS ANY EXPRESS OR IMPLIED WARRANTY WITH RESPECT TO THE USE AND/OR SALE OF ST PRODUCTS INCLUDING WITHOUT LIMITATION IMPLIED WARRANTIES OF MERCHANTABILITY, FITNESS FOR A PARTICULAR PURPOSE (AND THEIR EQUIVALENTS UNDER THE LAWS OF ANY JURISDICTION), OR INFRINGEMENT OF ANY PATENT, COPYRIGHT OR OTHER INTELLECTUAL PROPERTY RIGHT.

UNLESS EXPRESSLY APPROVED IN WRITING BY AN AUTHORIZED ST REPRESENTATIVE, ST PRODUCTS ARE NOT RECOMMENDED, AUTHORIZED OR WARRANTED FOR USE IN MILITARY, AIR CRAFT, SPACE, LIFE SAVING, OR LIFE SUSTAINING APPLICATIONS, NOR IN PRODUCTS OR SYSTEMS WHERE FAILURE OR MALFUNCTION MAY RESULT IN PERSONAL INJURY, DEATH, OR SEVERE PROPERTY OR ENVIRONMENTAL DAMAGE. ST PRODUCTS WHICH ARE NOT SPECIFIED AS "AUTOMOTIVE GRADE" MAY ONLY BE USED IN AUTOMOTIVE APPLICATIONS AT USER'S OWN RISK.

Resale of ST products with provisions different from the statements and/or technical features set forth in this document shall immediately void any warranty granted by ST for the ST product or service described herein and shall not create or extend in any manner whatsoever, any liability of ST.

ST and the ST logo are trademarks or registered trademarks of ST in various countries.

Information in this document supersedes and replaces all information previously supplied.

The ST logo is a registered trademark of STMicroelectronics. All other names are the property of their respective owners.

© 2006 STMicroelectronics - All rights reserved

STMicroelectronics group of companies

Australia - Belgium - Brazil - Canada - China - Czech Republic - Finland - France - Germany - Hong Kong - India - Israel - Italy - Japan - Malaysia - Malta - Morocco - Singapore - Spain - Sweden - Switzerland - United Kingdom - United States of America

www.st.com