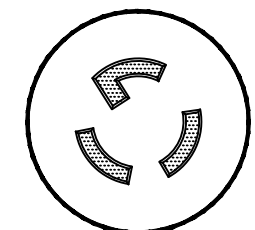
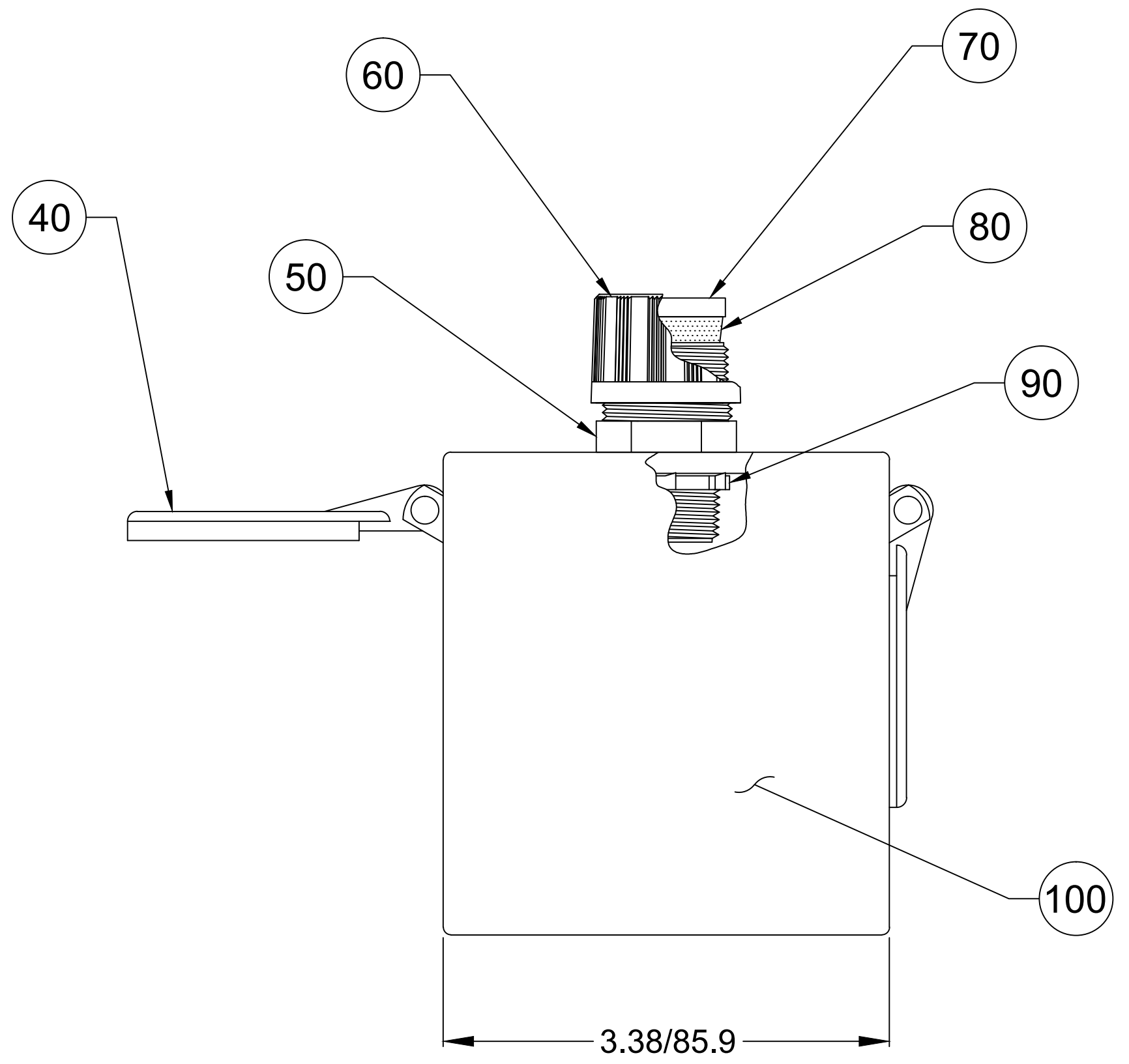
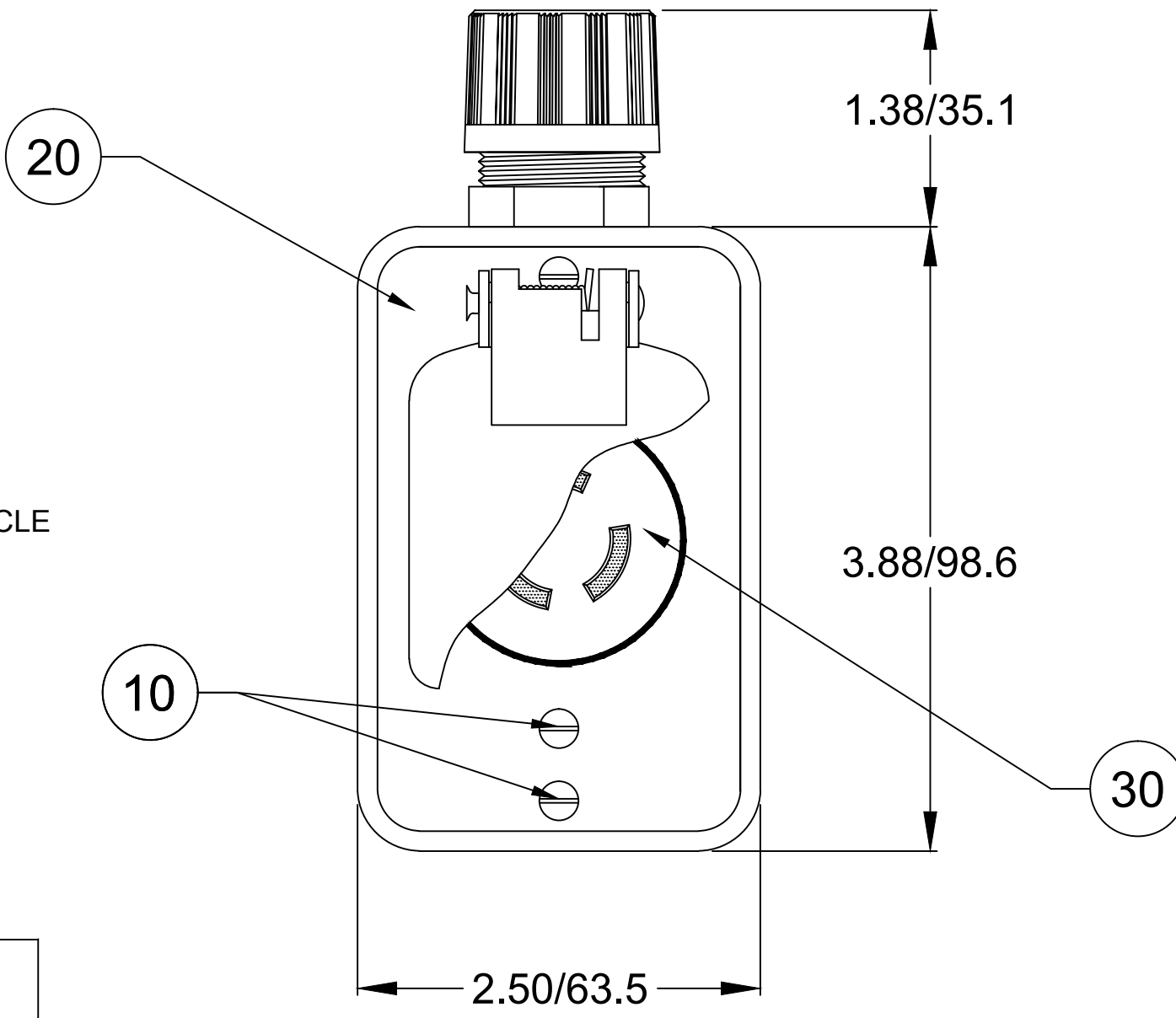


ITEM NO.	COMPONENT & SUB-COMPONENTS *	MATERIAL	FINISH
10	SCREW	STAINLESS STEEL	-----
20	COVER PLATE	NYLON	YELLOW
30	SINGLE RECEPTACLE NEMA L5-15R 15A/120V	-----	BLACK
40	FLIP COVER ASSEMBLY	-----	-----
	* FLIP COVER	POLYCARBONATE	YELLOW
	* FLIP COVER GASKET	NEOPRENE	YELLOW
	* TORSION SPRING	STAINLESS STEEL	PASSIVATED
	* RIVET	BRASS	BRIGHT NICKEL PLATING
	* FLIP COVER BRACKET	COLD ROLL STEEL	BRIGHT NICKEL PLATING
50	CORD GRIP	NYLON	YELLOW
60	COMPRESSION NUT	NYLON	YELLOW
70	FRICTION RING	HIGH-DENSITY POLYETHELENE	NATURAL
80	GROMMET	NITRILE PVC	SEE NOTE 1
90	LOCKNUT	STEEL	ZINC FINISH
100	OUTLET BOX	RUBBER	YELLOW



NEMA L5-15R RECEPTACLE



MATERIAL NUMBER	PART NUMBER
1301370144	3006-2

- NOTES:**
- KIT INCLUDES WITH 4 GROMMETS FOR VARIOUS CORD RANGES.
    - GRAY GROMMET - CORD RANGE 0.312" - 0.375"
    - GREEN GROMMET - CORD RANGE 0.375" - 0.437"
    - BLACK GROMMET- CORD RANGE 0.500" - 0.562"
    - GRAY GROMMET - CORD RANGE 0.562" - 0.625"

RELEASE EC NO: ICG2013-1397 DRWN: HRUIZ01 2013/03/13 CH'KD: HKNEELAN APPR: JFMURPHY 2013/03/26	QUALITY SYMBOL	GENERAL TOLERANCES (UNLESS SPECIFIED)	DIMENSION STYLE INCH/MM	SCALE NTS	DESIGN UNITS INCH	THIRD ANGLE PROJECTION
	$\nabla=0$ $\nabla C=0$	mm INCH 4 PLACES ±--- ±--- 3 PLACES ±--- ±.005 2 PLACES ±.13 ±.010 1 PLACE ±.25 ±.020	DRAWN BY DATE HRUIZ01 2013/03/13 CHECKED BY DATE HKNEELAN 2013/03/29 APPROVED BY DATE JFMURPHY 2013/03/26	TITLE	SUPER-SAFEWAY OUTLET BOX W/ TWO SINGLE RECEPTACLES W/ FLIP LIDS	
	ANGULAR ±1/2° DRAFT WHERE APPLICABLE MUST REMAIN WITHIN DIMENSIONS	MATERIAL NO. 1301370144	MOLEX INCORPORATED DOCUMENT NO. SD-130137-035	SHEET NO. 1 OF 1		
	SIZE C THIS DRAWING CONTAINS INFORMATION THAT IS PROPRIETARY TO MOLEX INCORPORATED AND SHOULD NOT BE USED WITHOUT WRITTEN PERMISSION					