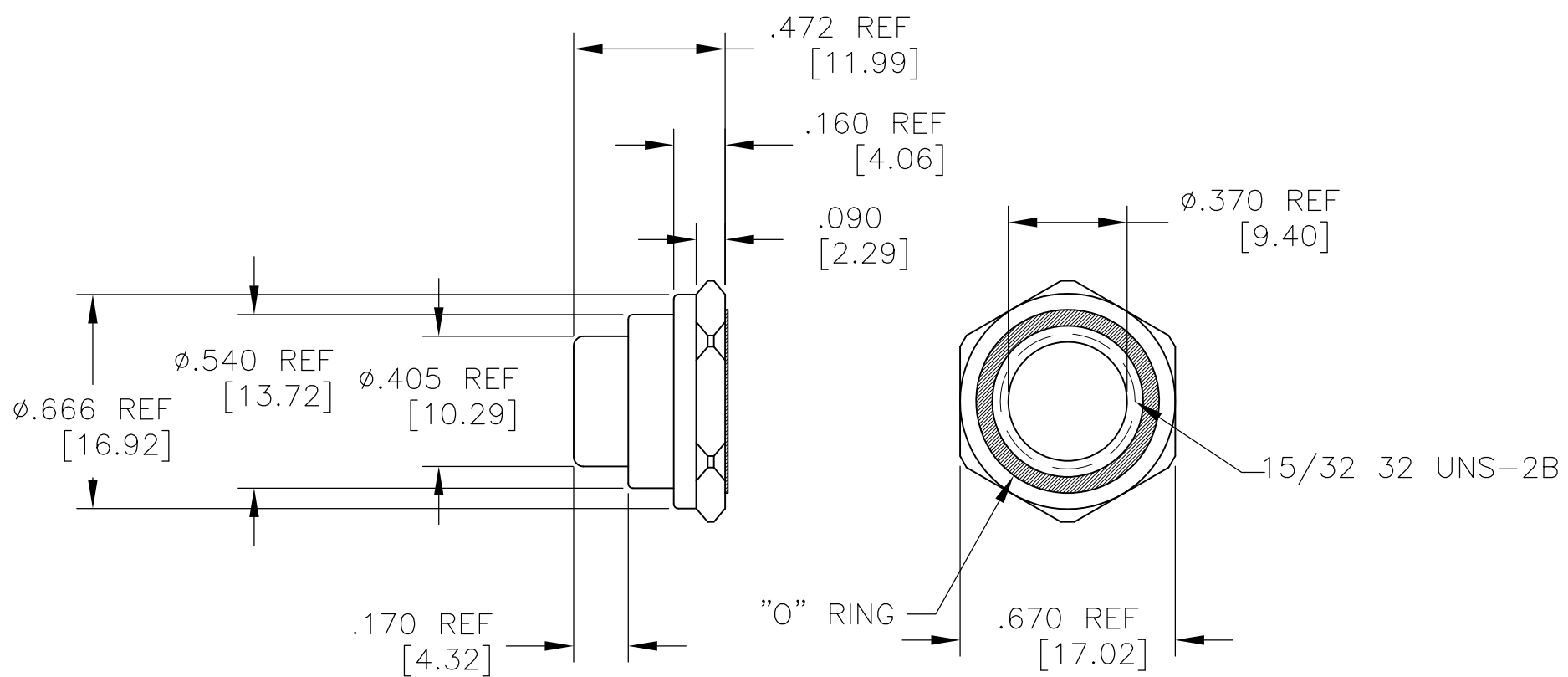


THIS DRAWING IS UNPUBLISHED. RELEASED FOR PUBLICATION  
 © COPYRIGHT - BY TYCO ELECTRONICS CORPORATION. ALL RIGHTS RESERVED.

LOC	DIST	REVISIONS					
AD	00	P	LTR	DESCRIPTION	DATE	DWN	APVD
			B	REVISED PER ECO-07-029259	28MAR08	HMR	MW

- 1 SUPPLIED WITH "O" RING SEAL FOR SEALING TO PANEL
- 2 BLACK ANODIZED MOUNT VERSION
- 3 NICKEL PLATED MOUNT VERSION
- 4 NEOPRENE BOOT



SUPERSEDE WITH 1825603-1	2	BP590004	1825608-2
OBSOLETE	3	BP589004	1825608-1
	FINISH	ALCO P/N	PART NUMBER

THIS DRAWING IS A CONTROLLED DOCUMENT.		DWN M.BINNER 14AUG2006	Tyco Electronics Corporation Harrisburg, PA 17105-3608	
DIMENSIONS: INCHES	TOLERANCES UNLESS OTHERWISE SPECIFIED:	CHK M.WILBOURN 15AUG06	NAME 15/32-32 PUSHBUTTON BOOT SEAL	
	0 PLC ± - 1 PLC ± - 2 PLC ± - 3 PLC ± .005 4 PLC ± - ANGLES ± -	APVD M.WILBOURN 15AUG06	PRODUCT SPEC -	RESTRICTED TO -
MATERIAL -	FINISH -	APPLICATION SPEC -	WEIGHT -	SIZE A3
		CAGE CODE 00779		DRAWING NO 1825608
		CUSTOMER DRAWING		SCALE 2:1
		SHEET 1 OF 1		REV B