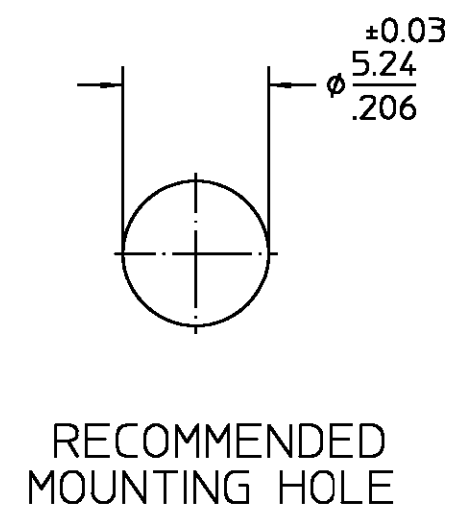
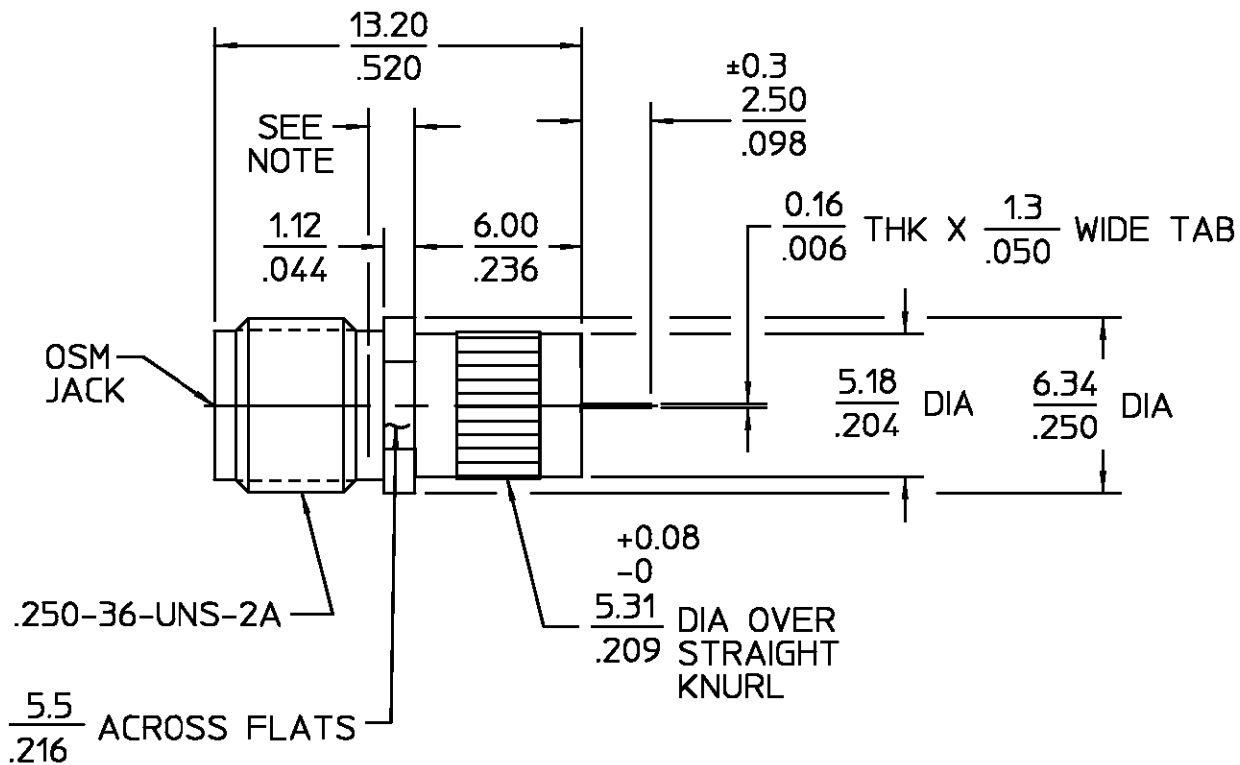


REVISIONS			
REV	DESCRIPTION	DATE	APPROVED
02 ₂	REVISED	1/28/97	ICom 1/28/97



ELECTRICAL	MECHANICAL	ENVIRONMENTAL
Nominal Impedance (Ohms) <u>50</u>	Interface Dimensions MIL-STD-348A, Fig. <u>310.2</u>	Temperature Rating <u>-65 C° TO +125 C°</u>
Frequency Range (GHz) <u>DC to 18 GHz</u>	Recommended Mating Torque <u>3-5 in/lbs(0.34Nm-0.57Nm)</u>	Vibration MIL-STD-202, Method 204, Condition D
Volt Rating (VRMS MAX) @ Sea Level <u>335</u>	Mating Characteristics: Insertion (MAX Lbs) <u>3.0 (1.36kg)</u>	Shock MIL-STD-202, Method 213, Condition I
VSWR <u>1.05 + .005 fGHz</u>	Withdrawal (MIN Oz) <u>1.0 (28.35g)</u>	Thermal Shock MIL-STD-202, Method 107, Condition B
Insertion Loss (dB MAX) <u>.03 √f(GHz)</u>	Force to Engage and Disengage (In-Lbs MAX) <u>2(0.23Nm)</u>	Moisture Resistance MIL-STD-202, Method 106, Except Vibration
RF Leakage (dB MIN) <u>-[90-f(GHz)]</u>	Center Contact Captivation Axial (Lbs) <u>6.0 (2.7Kg) MIN FROM INTERFACE</u>	Shall Be Omitted
Corona, 70,000 Ft (VRMS MIN) <u>250</u>	Radial (In-Oz) <u>4.0 (0.028Nm)</u>	Corrosion - MIL-STD-202, Method 101, Condition B, 5% salt spray
Dielectric Withstanding Voltage (VRMS MIN) @ Sea Level <u>1000</u>	Weight (Grams) <u>TBD</u>	
Contact Resistance (Milliohms MAX) Center Contact <u>3.0</u>		
Outer Contact <u>2.0</u>		
Cable to Housing <u>N/A</u>		
RF High Potential @ Sea Level (VRMS MIN @ 5 MHz) <u>670</u>		
I.R.(Megohms MIN) <u>10,000</u>		

COMPONENT	MATERIAL	FINISH
HOUSING DIELECTRIC CENTER CONTACT	BRASS TFE FLUOROCARBON PER ASTM-D-1457 BERYLLIUM COPPER PER ASTM B 196, ALLOY C17300, CONDITION H	WHITE BRONZE N/A GOLD PLATE PER MIL-G-45204
UNLESS OTHERWISE SPECIFIED DIMENSIONS ARE IN MILLIMETERS TOLERANCE ON DEC ANGLES ±0.13 ± °		
DRAWN BY <i>ICom</i> DATE 12/11/95 CHECKED BY APPD BY <i>ICom</i> 12/11/95		
THESE DRAWINGS AND SPECIFICATIONS ARE THE PROPERTY OF M/A-COM INTERCONNECT DIVISION AND SHALL NOT BE REPRODUCED OR COPIED OR USED IN WHOLE OR IN PART AS THE BASIS FOR THE MANUFACTURE OR SALE OF ITEMS WITHOUT WRITTEN PERMISSION.		
USE ASS'Y PROCEDURE	TITLE OSM PANEL MOUNT JACK RECEPTACLE STRAIGHT TERMINAL AMP Incorporated 140 Fourth Avenue Waltham, MA 02451-7599	
NO. AP. <u>N/A</u>	SIZE B CODE IDENT NO. 26805 SCALE 4:1	2058-5573-36 REV 02 ₂ SHEET 1 OF 1