

TABLE 1 BILL OF MATERIAL

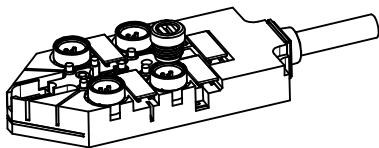
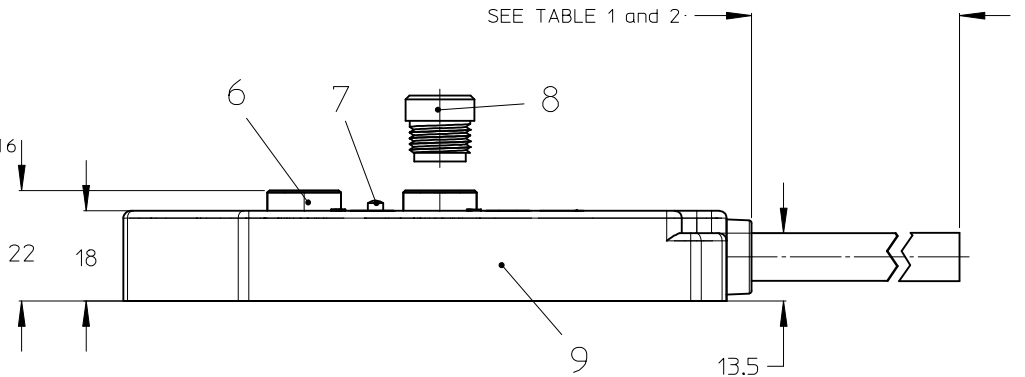
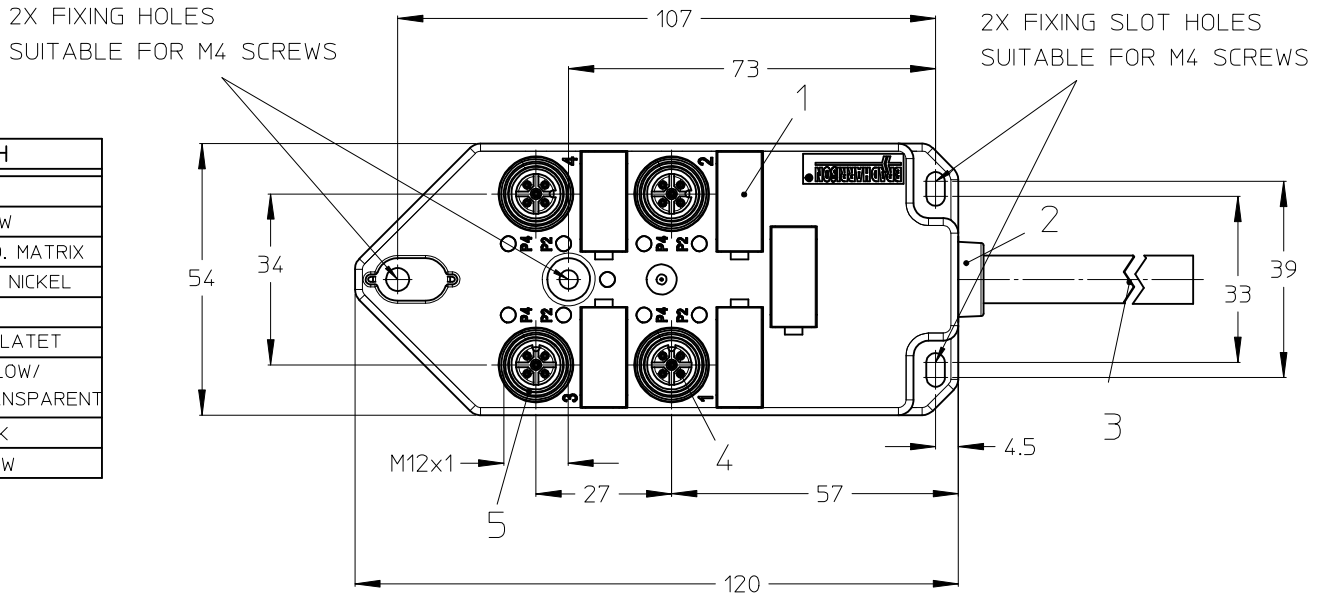
ITEM	QTY	DESCRIPTION	MATERIAL	FINISH
1	5	LABEL	ABS	WHITE
2	1	CABLE PLATE	PBT	YELLOW
3	1	CABLE	SEE ENG. NO. MATRIX	SEE ENG. NO. MATRIX
4	20	CONTACT	BRASS	GOLD OVER NICKEL
5	4	O-RING	FPM	RED
6	4	SHELL	BRASS	NICKEL PLATET
7	9	LED	NON LED = PBT/ WITH LED = PA	NON LED=YELLOW/ WITH LED=TRANSPARENT
8	2	PROTECTING CAP	PP	BLACK
9	1	HOUSING	PBT	YELLOW

GENERAL CHARACTERISTICS

NOMINAL VOLTAGE: 10-30 V DC
 POLUTION DEGREE: 3
 RATED CURRENT: 4 A PER PORT / 12 A MAX: TOTAL
 CONTACT RESISTANCE: ≤ 5 mOHM
 ISULATION RESISTANCE: > 10⁹ OHM
 IP DEGREE OF PROTECTION: IP 67
 IP 68 REFER TO TEST SUMMARY TS-120005-016

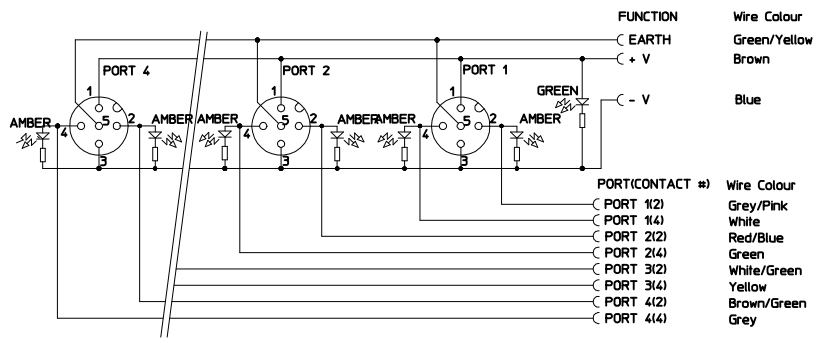
TEMPERATURE RANGE: -25°C to + 85°C
 (BOX ONLY)

FLAMMABYLITY:
 Insert: V0
 HOUSING: V0
 POTTING MATERIAL: V0

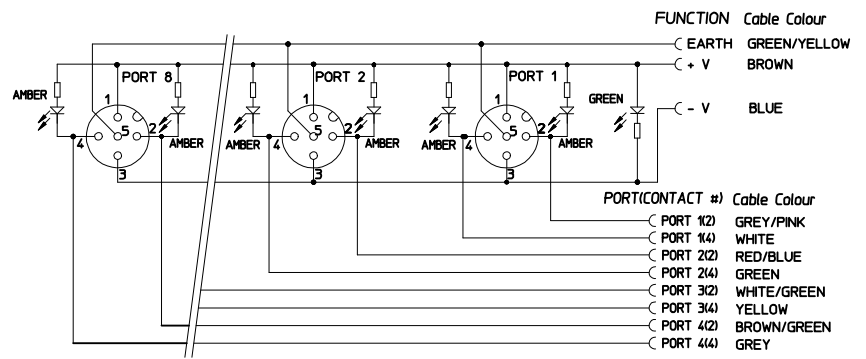


ENTER DESCRIPTION EC NO: IFG2014-0267 DRW:ULETTENMEIER 2013/09/24 CHK:RSILLER 2013/09/25 APPR:CBURGER 2013/10/07	QUALITY SYMBOLS ▽=0 ▽=0	GENERAL TOLERANCES (UNLESS SPECIFIED) mm INCH 4 PLACES ± --- ± --- 3 PLACES ± --- ± --- 2 PLACES ± 0.05 ± --- 1 PLACE ± 0.10 ± --- 0 PLACE ± --- ± --- ANGULAR ± .5 ° DRAFT WHERE APPLICABLE MUST REMAIN WITHIN DIMENSIONS	DIMENSION STYLE MM ONLY DRAWN BY: ULETTENMEIER 2013/07/02 CHECKED BY: RSILLER 2013/07/10 APPROVED BY: CBURGER 2013/07/17	SCALE 1:1	DESIGN UNITS METRIC	THIRD ANGLE PROJECTION
	MATERIAL NO. SEE TABLE 2	DOCUMENT NO. SD-120114-093	TITLE MPIS M12 PNP NPN NOS 5P 4PT AC FE STR XM	SHEET NO. 1 OF 3		
	THIS DRAWING CONTAINS INFORMATION THAT IS PROPRIETARY TO MOLEX INCORPORATED AND SHOULD NOT BE USED WITHOUT WRITTEN PERMISSION					

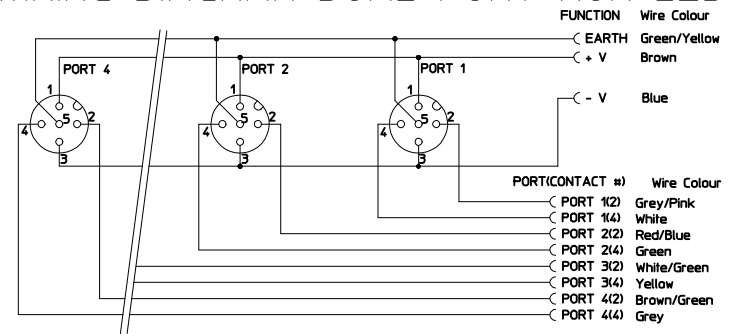
WIRING DIAGRAM DUAL PORT PNP



WIRING DIAGRAM DUAL PORT NPN



WIRING DIAGRAM DUAL PORT NON LED



ENTER DESCRIPTION EC NO: IPG2014-0267 DRW:ULETTEMEIER 2013/09/24 CHY:KDRSILLER 2013/09/25 APPR:CBURGER 2013/10/07	QUALITY SYMBOLS ▽=0 ▽=0	GENERAL TOLERANCES (UNLESS SPECIFIED)		DIMENSION STYLE MM ONLY	SCALE 1:1	DESIGN UNITS METRIC	THIRD ANGLE PROJECTION
		4 PLACES ± --- ± --- 3 PLACES ± --- ± --- 2 PLACES ± 0.05 ± --- 1 PLACE ± 0.10 ± --- 0 PLACE ± --- ± ---	mm INCH DRAWN BY DATE ULETTEMEIER 2013/07/02 CHECKED BY DATE RSILLER 2013/07/10 APPROVED BY DATE CBURGER 2013/07/17	TITLE MPIS M12 PNP NPN NOS 5P 4PT AC FE STR XM			
		ANGULAR ± .5 ° DRAFT WHERE APPLICABLE MUST REMAIN WITHIN DIMENSIONS		MATERIAL NO. SEE TABLE 2	DOCUMENT NO. SD-120114-093	SHEET NO. 2 OF 3	
		THIS DRAWING CONTAINS INFORMATION THAT IS PROPRIETARY TO MOLEX INCORPORATED AND SHOULD NOT BE USED WITHOUT WRITTEN PERMISSION					

