

LOC AJ	DIST —	REVISIONS			
P	LTR	DESCRIPTION	DATE	DWN	APVD
	A	REV PER ECO 06-002539	07APR06	GB	JH


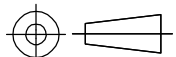
THIS DRAWING IS UNPUBLISHED.

ALL RIGHTS RESERVED.

BY TYCO ELECTRONICS CORPORATION.



9-1404420-0	6329823-1
MATERIAL	PART NUMBER

DIMENSIONS: mm	DWN J. ALCORTA - DOCK5	28APR2005	MATERIAL	-	FINISH	-		
	CHK J. HAVENER	28APR2005	 Tyco Electronics Corporation Harrisburg, PA 17105-3608					
TOLERANCES UNLESS OTHERWISE SPECIFIED:	APVD G. MICHAEL	28APR2005						
0 PLC ± -	PRODUCT SPEC		NAME					
1 PLC ± -	-		N SERIES PLUG					
2 PLC ± -	APPLICATION SPEC		TERMINATOR, 50 OHM, 50 WATT					
3 PLC ± -	-		SIZE	CAGE CODE	DRAWING NO	RESTRICTED TO		
4 PLC ± -	-		A4	00779	C-6329823	-		
ANGLES ± -	WEIGHT		-					
			CUSTOMER DRAWING			SCALE 1:1	SHEET 1 OF 1	REV A