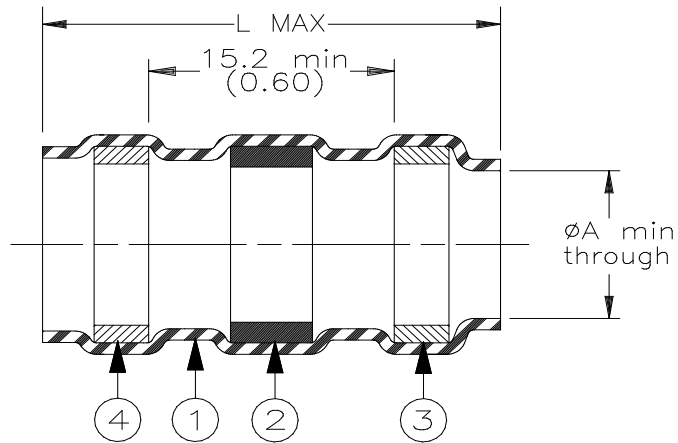


## CUSTOMER DRAWING



| Product Name | Product Dimensions |              | Cable Dimensions |             |             |
|--------------|--------------------|--------------|------------------|-------------|-------------|
|              | L max              | A min        | B max            | C min       | D min       |
| CWT-3801     | 26 (1.025)         | 1.7 (0.065)  | 1.7 (0.065)      | 0.9 (0.035) | 0.4 (0.015) |
| CWT-3802     | 26 (1.025)         | 1.95 (0.075) | 1.95 (0.075)     | 1.1 (0.045) | 0.6 (0.025) |
| CWT-3803     | 42.0 (1.655)       | 2.7 (0.105)  | 2.7 (0.105)      | 1.8 (0.070) | 1.3 (0.050) |
| CWT-3805     | 42.0 (1.655)       | 4.5 (0.180)  | 4.5 (0.180)      | 2.3 (0.090) | 1.8 (0.070) |
| CWT-3806     | 42.0 (1.655)       | 6.0 (0.235)  | 6.0 (0.235)      | 3.3 (0.130) | 2.8 (0.110) |
| CWT-3807     | 42.0 (1.655)       | 7.0 (0.275)  | 7.0 (0.275)      | 3.7 (0.145) | 3.2 (0.125) |
| CWT-3809     | 42.0 (1.655)       | 8.7 (0.340)  | 8.7 (0.340)      | 4.2 (0.165) | 3.7 (0.145) |
| CWT-3810     | 42.0 (1.655)       | 9.7 (0.382)  | 9.7 (0.382)      | 6.8 (0.268) | 6.0 (0.236) |
| CWT-3811     | 42.0 (1.655)       | 10.7 (0.420) | 10.7 (0.420)     | 7.1 (0.280) | 6.6 (0.260) |
| CWT-3813     | 42.0 (1.655)       | 13.0 (0.510) | 13.0 (0.510)     | 8.9 (0.350) | 8.4 (0.330) |

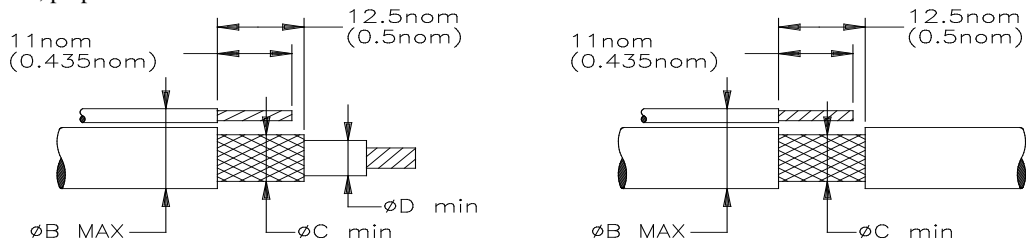
### MATERIAL

- INSULATION SLEEVE: Heat-shrinkable, radiation cross-linked modified polyolefin. Transparent clear.
- SOLDER PREFORM WITH FLUX:  
SOLDER: TYPE CD18 per ANSI J-STD-006.  
FLUX: TYPE ROM1 per ANSI J-STD-004.
- MELTABLE RING: Thermally stabilized thermoplastic. Color: True Grey of Natural.
- MELTABLE RING: Thermally stabilized thermoplastic. Color: Blue.

### APPLICATION

- These controlled soldering devices are designed for termination of a bare or tin plated copper shield on a cable, having an insulation rated for at least +85°C minimum.
- Temperature range: -55°C to +125°C.
- For installation procedure and application equipment consult RPIP-824-00 or H54286.

For best results, prepare the cable as shown:



TE Connectivity, TE connectivity (logo), Raychem, and SolderSleeve are trademarks

|  |   |  |   |                         |                                  |
|--|---|--|---|-------------------------|----------------------------------|
|  |   | <b>Raychem<br/>Devices</b>   | TITLE: <b>SOLDERSLEEVE ONE STEP<br/>SHIELD TERMINATOR</b> |                         |                                  |
| UNLESS OTHERWISE SPECIFIED DIMENSIONS ARE IN MILLIMETERS.<br>INCHES DIMENSIONS ARE BETWEEN BRACKETS. |   |  | DOCUMENT NO.: <b>CWT-38XX</b>                             |                         |                                  |
| TOLERANCES:<br>0.00 N/A<br>0.0 N/A<br>0 N/A  | ANGLES: N/A<br><br>ROUGHNESS IN<br>MICRON | TE Connectivity reserves the right to amend<br>this drawing at any time. Users should evaluate<br>the suitability of the product for their<br>application. | Revision:<br><b>M</b>                                     |                         | Issue Date:<br><b>April 2020</b> |
| DRAWN BY:<br><b>M. FORONDA</b>   | CAGE CODE:<br><b>06090</b>                | DATE:<br><b>15-Nov-2017</b>  | ECO: <b>ECO-20-004961</b>                                 | SCALE:<br><b>None</b>   | SIZE:<br><b>A</b>                |
|  |   |  |   | SHEET:<br><b>1 of 1</b> |                                  |