



## Main

Range of Product	Harmony Solid State Relays
Product or Component Type	Heat sink

## Complementary

Product compatibility	1 solid state relay SSR panel
Thermal resistance	0.7 °C/W
Mounting Support	Panel
Material	Aluminium
Surface Finish	Black anodized
Surface and useful surface	254.20 in <sup>2</sup> (1640 cm <sup>2</sup> )
Number of mounting holes	6 UNC 8-32
Tightening torque	15.05...19.47 lbf.in (1.7...2.2 N.m)
Sale per indivisible quantity	1
Width	5.50 in (139.7 mm)
Height	4.75 in (120.7 mm)
Depth	2.63 in (66.8 mm)
Net Weight	0.02 oz (0.526 g)

## Ordering and shipping details

Category	22375 - INTERFACE MODULE(ABA,R,S)
Discount Schedule	CP2
GTIN	3606485442198
Nbr. of units in pkg.	1
Package weight(Lbs)	21.41 oz (607 g)
Returnability	Yes
Country of origin	CN

## Packing Units

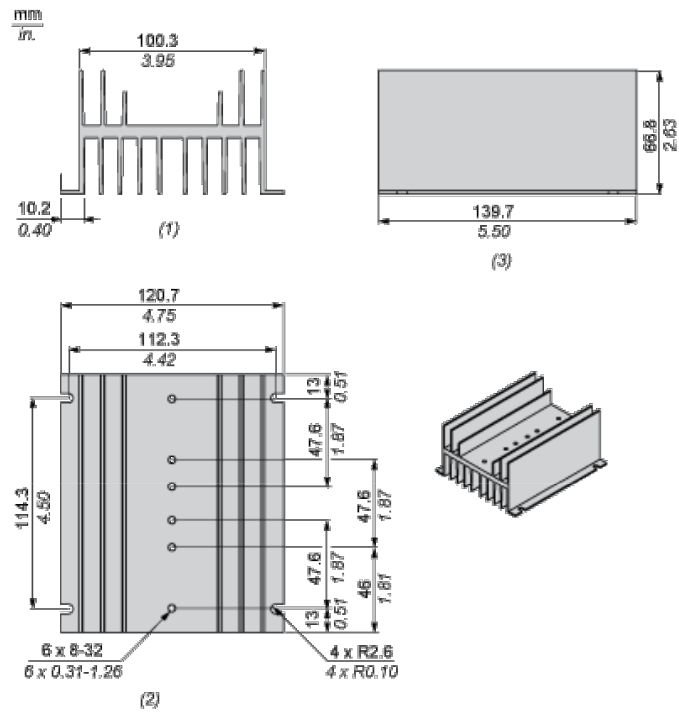
Unit Type of Package 1	PCE
Package 1 Height	2.63 in (6.68 cm)
Package 1 width	4.75 in (12.07 cm)
Package 1 Length	5.50 in (13.97 cm)
Unit Type of Package 2	S03
Number of Units in Package 2	3
Package 2 Weight	4.10 lb(US) (1.86 kg)
Package 2 Height	11.81 in (30 cm)

Package 2 width	11.81 in (30 cm)
Package 2 Length	15.75 in (40 cm)

## Offer Sustainability

Sustainable offer status	Green Premium product
California proposition 65	WARNING: This product can expose you to chemicals including: Nickel compounds, which is known to the State of California to cause cancer, and Di-isodecyl phthalate (DIDP), which is known to the State of California to cause birth defects or other reproductive harm. For more information go to <a href="http://www.P65Warnings.ca.gov">www.P65Warnings.ca.gov</a>
REACH Regulation	<a href="#">REACH Declaration</a>
REACH free of SVHC	Yes
EU RoHS Directive	Pro-active compliance (Product out of EU RoHS legal scope) <a href="#">EU RoHS Declaration</a>
Toxic heavy metal free	Yes
Mercury free	Yes
RoHS exemption information	<a href="#">Yes</a>
China RoHS Regulation	<a href="#">China RoHS Declaration</a>
Environmental Disclosure	<a href="#">Product Environmental Profile</a>

Dimensions



- (1) Front view
- (2) Top view
- (3) Side view