

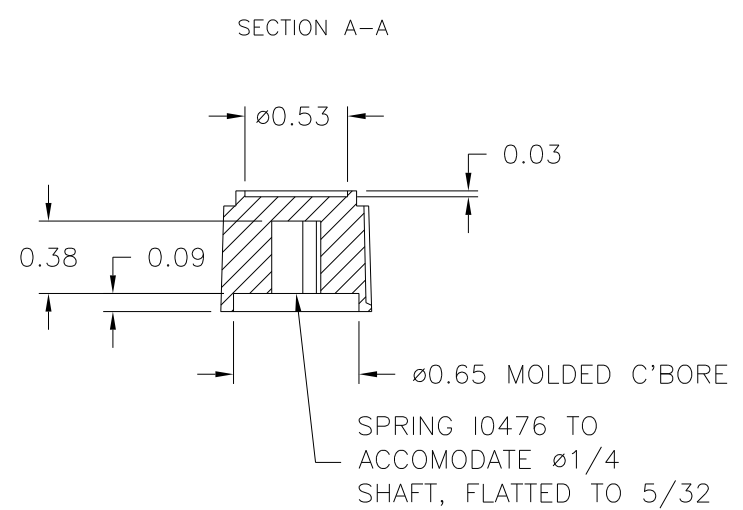
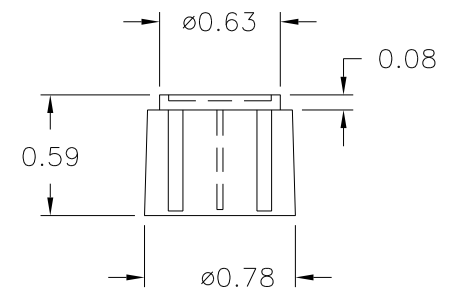
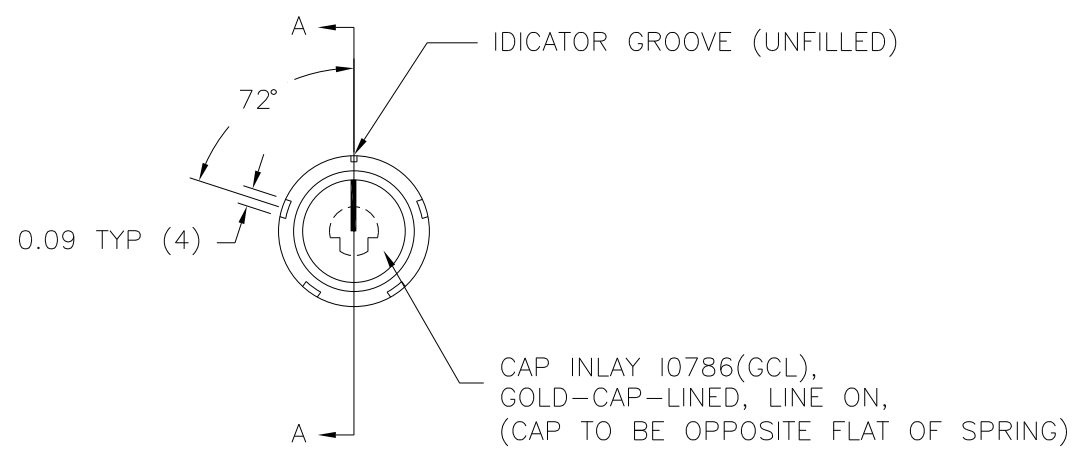
PART NAME: KNOB SCALE: 1:1 DATE: 3/16/92 DR. BY HD

DAVIES MOLDING COMPANY
CAROL STREAM, ILLINOIS 60188

P/N 1202AU	
BASE PART	1202-07
SPRING	I0476
CAP INLAY	I0786(GCL)

THIS DRAWING IS THE PROPERTY OF DAVIES MOLDING COMPANY, IS SUBMITTED SOLELY AS A DESIGN OR ENGINEERING PROJECT. WE ACCEPT NO RESPONSIBILITY WHATSOEVER FOR THE PRACTICAL APPLICATION OF THE PIECES MADE TO THIS DESIGN.

CUST.: DUST-FREE, INC.
P/N # 2KN1202HGCL171



NOTE: ALL MOLDED PARTS MUST BE CHECKED WITH SPECIAL GAUGE.
KEYWAY PIN MUST ACCEPT MOLDED HOLE
MATERIAL: G.P. PHENOLIC (B11)
COLOR: BLACK

TOLERANCES: UNLESS OTHERWISE SPECIFIED	DO NOT SCALE DRAWING	B	REMOVED "MOLDED HOLE DETAIL" VIEW, DRAWN INCORRECTLY	JAM	1/29/04
DECIMALS: X.XXX ± .005 X.XX ± .015	MM: X.XX ± 0.15MM X.X ± 0.4MM	-	UPDATED/HAD TOOLBOX	ST	4/5/2000
FRACTIONS ± 1/64	ANG. ± 1°	-	CORRECTED INLAY NOTE	HD	3/27/95
		-	UPDATED DWG. PER CUST. MARK-UP DWG.	HD	10/26/93
		A	WAS I1110(SGCL)	HD	10/7/92
CHANGES					

PART NAME: KNOB SCALE: 1:1 DATE: 3/16/92 DR. BY HD

DAVIES MOLDING COMPANY
CAROL STREAM, ILLINOIS 60188

P/N 1202AU

THIS DRAWING IS THE PROPERTY OF DAVIES MOLDING COMPANY, IS SUBMITTED SOLELY AS A DESIGN OR ENGINEERING PROJECT.
WE ACCEPT NO RESPONSIBILITY WHATSOEVER FOR THE PRACTICAL APPLICATION OF THE PIECES MADE TO THIS DESIGN.

BASE PART 1202-07

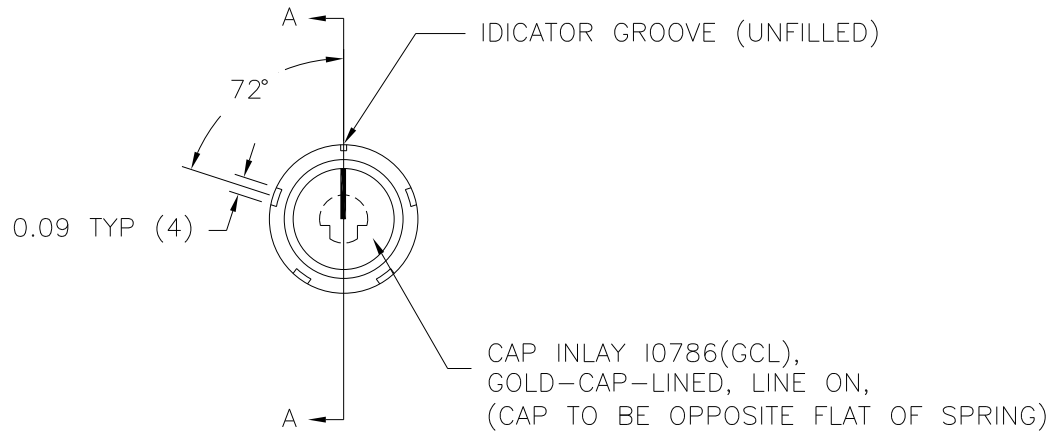
SPRING I0476

CAP INLAY I0786(GCL)

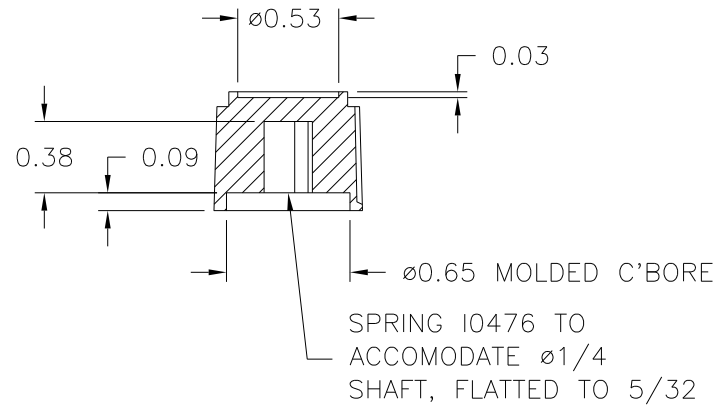
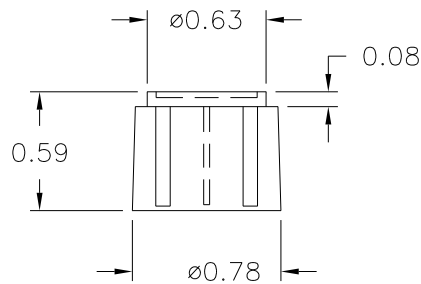
CUST.: DUST-FREE, INC.
P/N # 2KN1202HGCL171

(A)

(B)



SECTION A-A



NOTE: ALL MOLDED PARTS MUST BE CHECKED WITH SPECIAL GAUGE.
KEYWAY PIN MUST ACCEPT MOLDED HOLE
MATERIAL: G.P. PHENOLIC (B11)
COLOR: BLACK

B	REMOVED "MOLDED HOLE DETAIL" VIEW, DRAWN INCORRECTLY	JAM	1/29/04
-	UPDATED/HAD TOOLBOX	ST	4/5/2000
-	CORRECTED INLAY NOTE	HD	3/27/95
-	UPDATED DWG. PER CUST. MARK-UP DWG.	HD	10/26/93
A	WAS I1110(SGCL)	HD	10/7/92

TOLERANCES: UNLESS OTHERWISE SPECIFIED	DO NOT SCALE DRAWING
DECIMALS: X.XXX ± .005 X.XX ± .015	MM: X.XX ± 0.15MM X.X ± 0.4MM
FRACTIONS ± 1/64	ANG. ± 1°

CHANGES