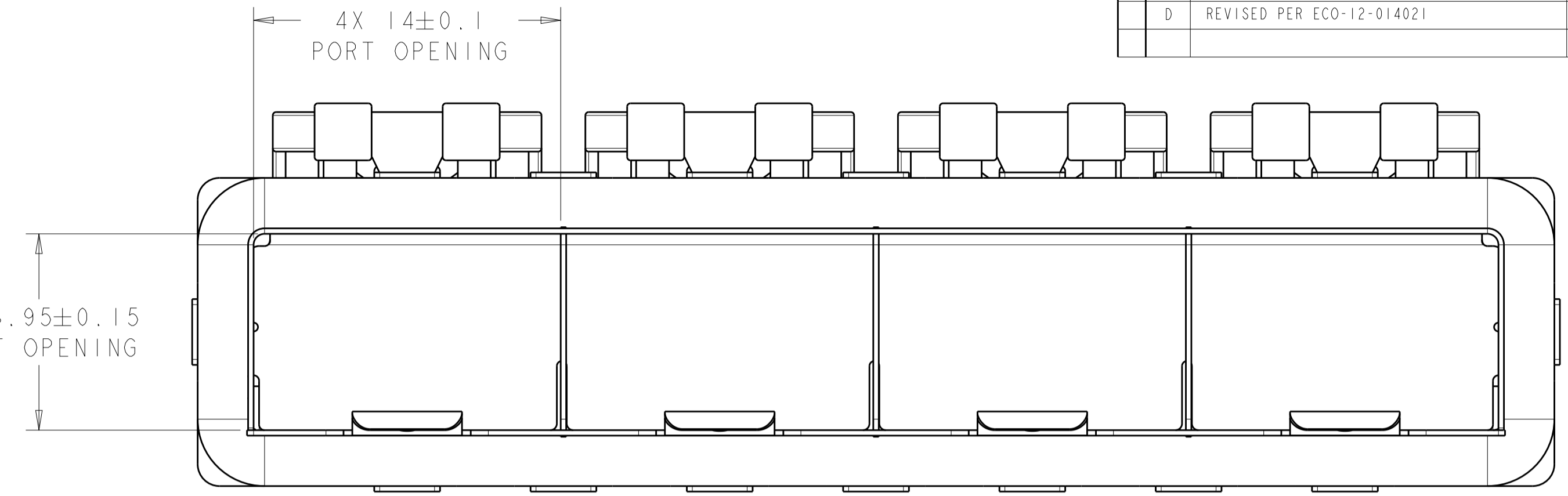
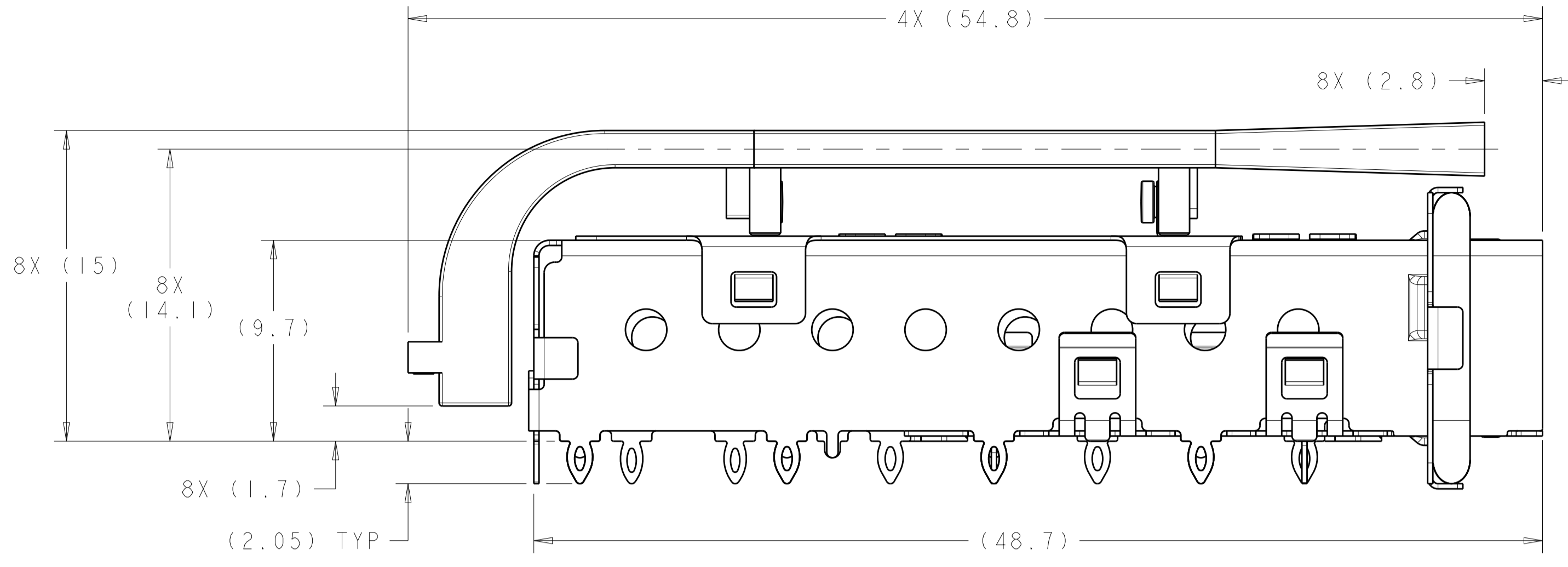
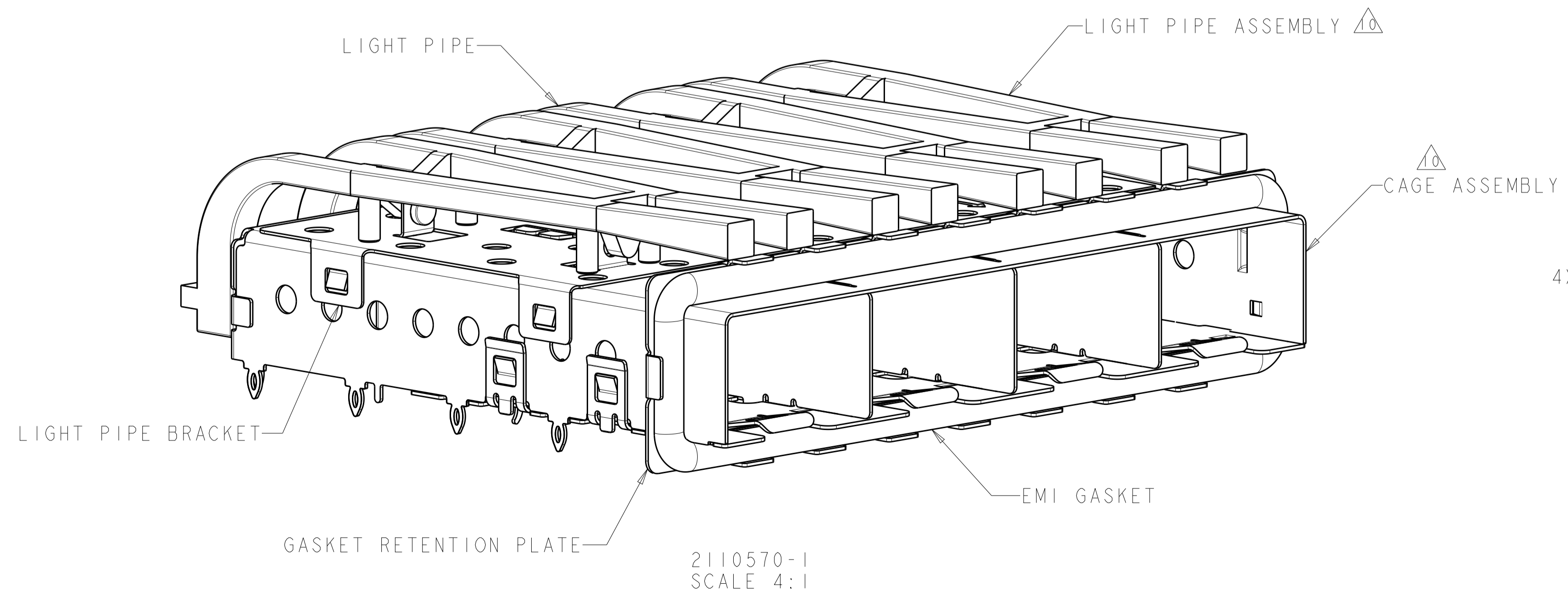
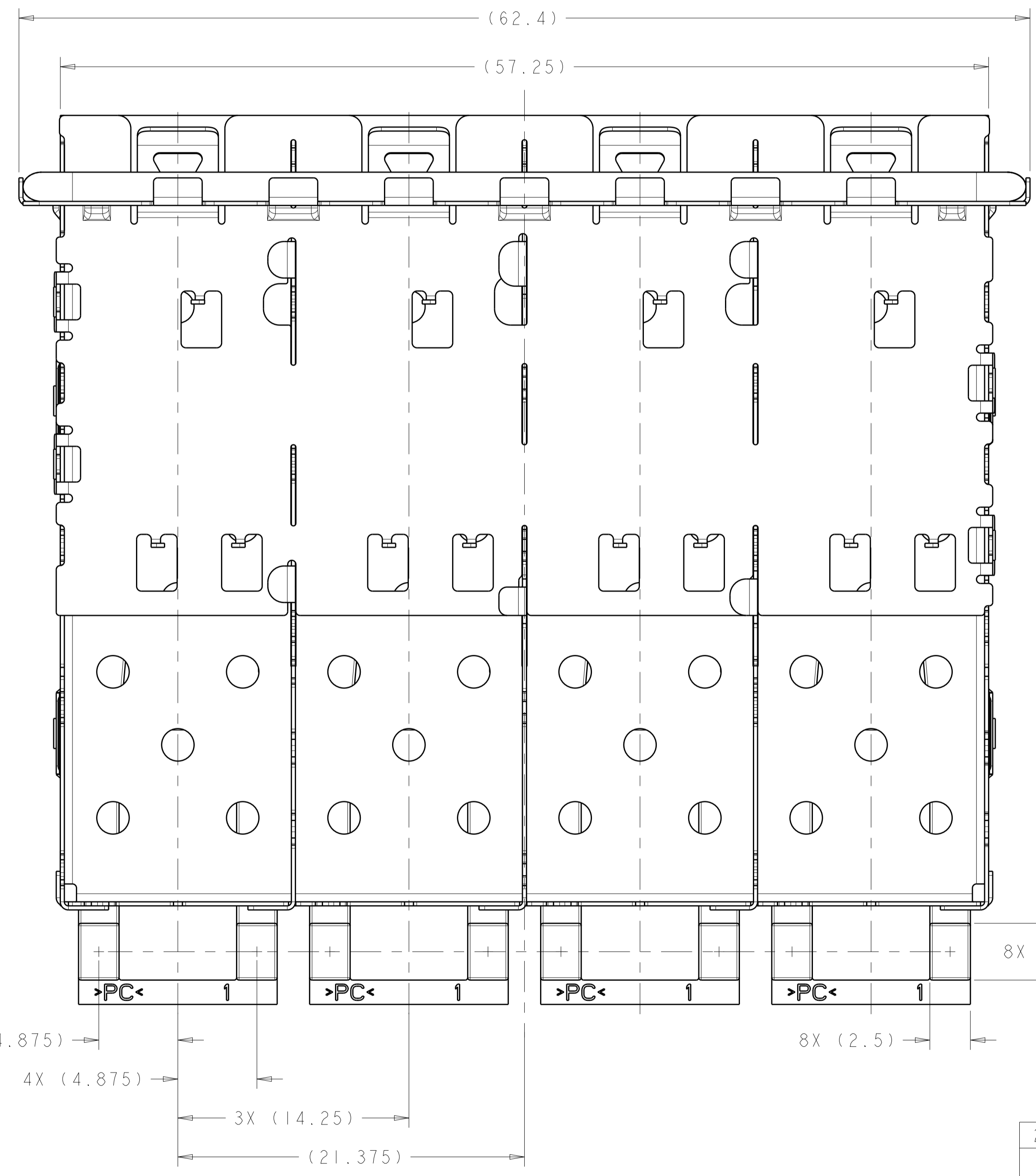


LOC	DIST	REVISIONS			
GP	00	REV	DATE	BY	CHK
B		REVISE PER ECO-09-022874	9OCT2009	ZMR	MRS
C		REVISED PER ECO-10-004036	91MAR2010	CJV	MRS
D		REVISED PER ECO-12-014021	10DEC2012	TD	AC



- 1 MATERIAL:
 CAGE ASSEMBLY - 0.25mm THICK NICKEL SILVER ALLOY
 GASKET RETENTION PLATE - STAINLESS STEEL
 GASKET - PLATED FILLED SILICONE
 LIGHT PIPE BRACKET - STAINLESS STEEL
 LIGHT PIPE - POLYCARBONATE, CLEAR
- 2 MINIMUM PC BOARD THICKNESS = 1.50mm.
- 3 PADS AND VIAS CHASSIS GROUND.
- 4 DATUM AND BASIC DIMENSION ESTABLISHED BY CUSTOMER.
- 5. MATES WITH SFP MSA COMPLIANT TRANSCEIVERS.
- 6. INTERPRETATION OF DATUM REFERENCE FRAME IN ACCORDANCE WITH SECT 4.4.1.1 OF ASME Y14.5M-1994.
- 7 REFERENCE APPLICATION SPEC. 114-13120, HOLE A, FOR RECOMMENDED DRILL HOLE DIAMETER AND PLATING THICKNESS.
- 8 REFERENCE APPLICATION SPEC. 114-13120, HOLE B, FOR RECOMMENDED DRILL HOLE DIAMETER AND PLATING THICKNESS.
- 9 HOLE PATTERN REPEATS FOR EACH PORT. SPACING BETWEEN PORTS IS 14.25mm.
- 10 LIGHT PIPE ASSEMBLY SHIPPED UNASSEMBLED TO CAGE ASSEMBLY. CAGE ASSEMBLY TO BE PRESSED INTO THE PCB PRIOR TO ATTACHING THE LIGHT PIPE ASSEMBLY TO THE CAGE.
- 11. PRODUCT COMPLIES WITH SPECIFICATION SFF-8433 IMPROVED PLUGGABLE FORM FACTOR FOR SFP+ GANGED CAGES.



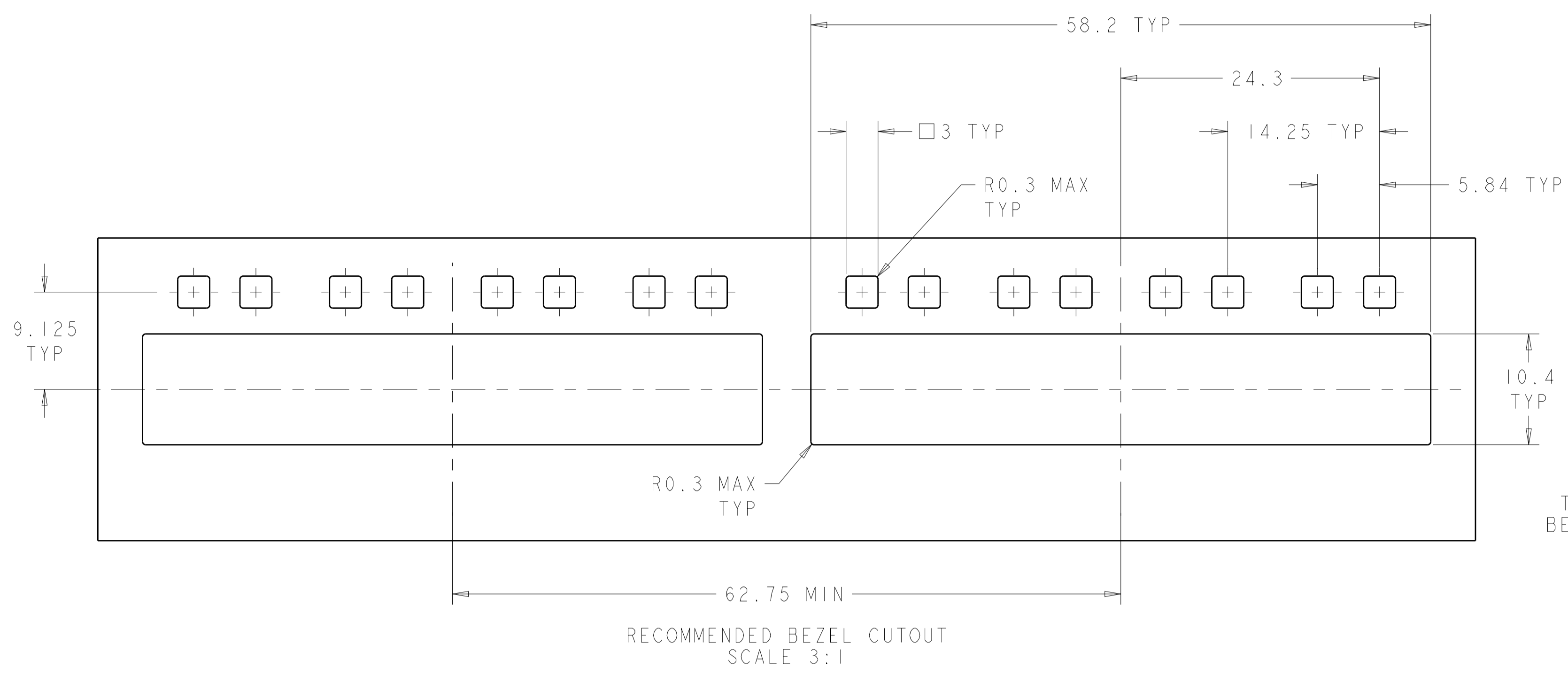
2110570-1
 SCALE 4:1

2110570-1
 PART NUMBER

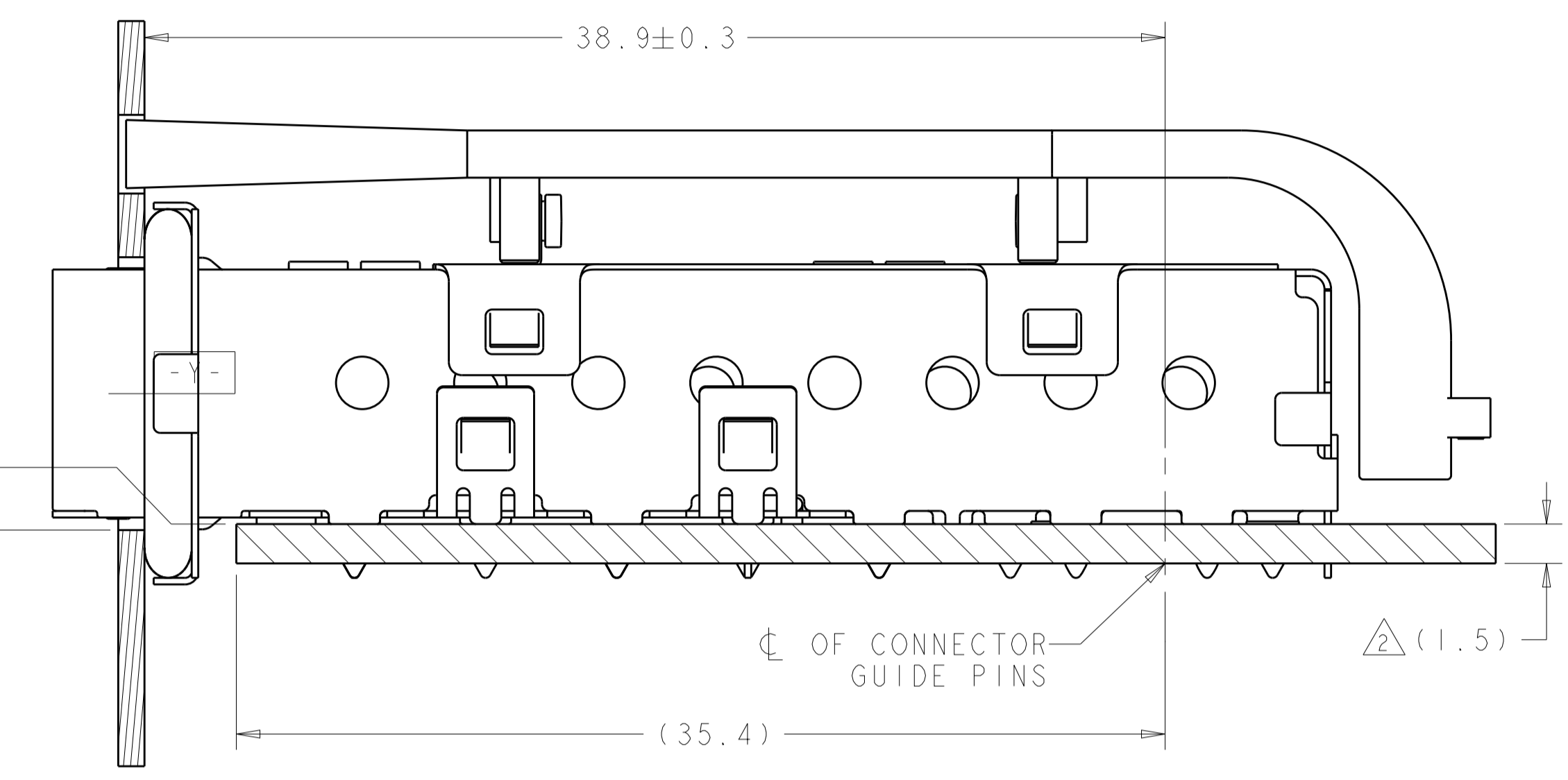
THIS DRAWING IS A CONTROLLED DOCUMENT.		OWN Z. M. BEAM	13APR2009	TE Connectivity SFP+ 1X4 CAGE ASSEMBLY, PRESS FIT, EMI GASKET, W/ REDUCED LENGTH SQUARE LIGHT PIPES
DIMENSIONS:		CHK M. R. SCHMITT	13APR2009	
TOLERANCES UNLESS OTHERWISE SPECIFIED:		APVD B. H. WERTZ	13APR2009	
mm		PRODUCT SPEC		
0 PLC ±0.1		APPLICATION SPEC		
1 PLC ±0.1		108-2364		
2 PLC ±0.1		114-13120		
3 PLC ±0.1		WEIGHT		
4 PLC ±0.1		Customer Drawing		
ANGLES ±1°		SIZE CAGE CODE DRAWING NO		
FINISH		A100779C=2110570		
MATERIAL		RESTRICTED TO		
FINISH		SCALE 1:1 SHEET 1 OF 3 REV D		

LOC	DIST	REV	DATE	BY	APPV
GP	00				

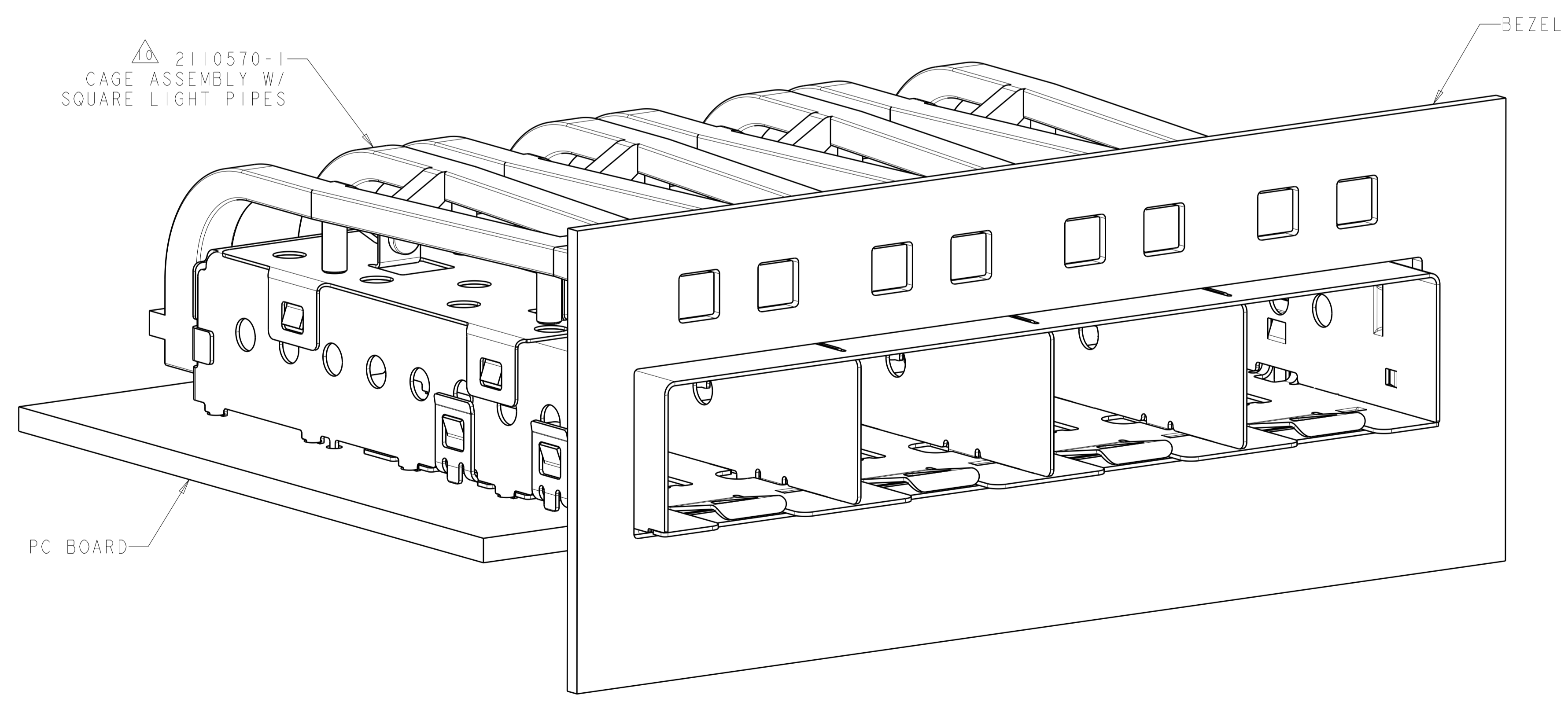
REVISIONS			
NO.	DESCRIPTION	DATE	BY
-	SEE SHEET 1	-	-



0.23^{+0.10}_{-0.14}
TOP OF PCB
TO INSIDE OF
BEZEL CUT-OUT



2110570-1
MOUNTED ON PC BOARD SHOWN
THRU RECOMMENDED BEZEL



2110570-1
MOUNTED ON PC BOARD SHOWN
THRU RECOMMENDED BEZEL

THIS DRAWING IS A CONTROLLED DOCUMENT.		OWN: Z.M. BEAM 13APR2009	 TE Connectivity
DIMENSIONS: mm		CHK: M.R. SCHMITT 13APR2009	
TOLERANCES UNLESS OTHERWISE SPECIFIED:		APPV: R.H. WERTZ 13APR2009	
0 PLC ±0.1 1 PLC ±0.1 2 PLC ±0.1 3 PLC ±0.1 4 PLC ±0.1 ANGLES ±1°		NAME: SFP+ 1X4 CAGE ASSEMBLY, PRESS FIT, EMI GASKET, W/ REDUCED LENGTH SQUARE LIGHT PIPES PRODUCT SPEC: 108-2364 APPLICATION SPEC: 114-13120 WEIGHT: - RESTRICTED TO: -	
MATERIAL: -	FINISH: -	Customer Drawing	SIZE: A100779 CAGE CODE: C=2110570 SCALE: 5:1 SHEET 2 OF 3 REV D

