

## FIN1102 LVDS 2 Port High Speed Repeater

### General Description

This 2 port repeater is designed for high speed interconnects utilizing Low Voltage Differential Signaling (LVDS) technology. The FIN1102 accepts and outputs LVDS levels with a typical differential output swing of 330 mV which provides low EMI at ultra low power dissipation even at high frequencies. The FIN1102 provides a  $V_{BB}$  reference for AC coupling on the inputs. In addition the FIN1102 can also directly accept LVPECL, HSTL, and SSTL-2 for translation to LVDS.

### Features

- Greater than 800 Mbps full differential path
- 3.3V power supply operation
- 3.5 ps maximum random jitter and 135 ps maximum deterministic jitter
- Wide rail-to-rail common mode range
- LVDS receiver inputs accept LVPECL, HSTL, and SSTL-2 directly
- Ultra low power consumption
- 20 ps typical channel-to-channel skew
- Power off protection
- > 7 kV HBM ESD Protection
- Meets or exceeds the TIA/EIA-644-A LVDS standard
- 14-lead TSSOP package saves space
- Open circuit fail safe protection
- $V_{BB}$  reference output

### Ordering Code:

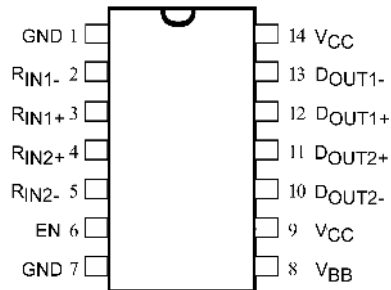
Order Number	Package Number	Package Description
FIN1102MTC	MTC14	14-Lead Thin Shrink Small Outline Package (TSSOP), JEDEC MO-153, 4.4mm Wide

Devices also available in Tape and Reel. Specify by appending suffix letter "X" to the ordering code.

### Pin Descriptions

Pin Name	Description
$R_{IN1+}$ , $R_{IN2+}$	Non-inverting LVDS Input
$R_{IN1-}$ , $R_{IN2-}$	Inverting LVDS Input
$D_{OUT1+}$ , $D_{OUT2+}$	Non-inverting Driver Output
$D_{OUT1-}$ , $D_{OUT2-}$	Inverting Driver Output
EN	Driver Enable Pin for All Output
$V_{CC}$	Power Supply
GND	Ground
$V_{BB}$	Reference Voltage Output

### Connection Diagram

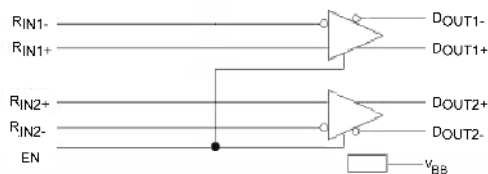


### Function Table

EN	Inputs		Outputs	
	$D_{IN+}$	$D_{IN-}$	$D_{OUT+}$	$D_{OUT-}$
H	H	L	H	L
H	L	H	L	H
H	Fail Safe Case		H	L
L	X	X	Z	Z

H = HIGH Logic Level  
L = LOW Logic Level  
X = Don't Care  
Z = High Impedance

### Functional Diagram



**Absolute Maximum Ratings** (Note 1)

Supply Voltage ( $V_{CC}$ )	-0.5V to +4.6V
LVDS DC Input Voltage ( $V_{IN}$ )	-0.5V to +4.6V
LVDS DC Output Voltage ( $V_{OUT}$ )	-0.5V to +4.6V
Driver Short Circuit Current ( $I_{OSD}$ )	Continuous 10 mA
Storage Temperature Range ( $T_{STG}$ )	-65°C to +150°C
Max Junction Temperature ( $T_J$ )	150°C
Lead Temperature ( $T_L$ ) (Soldering, 10 seconds)	260°C
ESD (Human Body Model)	7000V
ESD (Machine Model)	300V

**Recommended Operating Conditions**

Supply Voltage ( $V_{CC}$ )	3.0V to 3.6V
Magnitude of Differential Voltage ( $ V_{ID} $ )	100 mV to $V_{CC}$
Common Mode Voltage Range ( $V_{IC}$ )	(0V + $ V_{ID} /2$ ) to ( $V_{CC} -  V_{ID} /2$ )
Operating Temperature ( $T_A$ )	-40°C to +85°C

**Note 1:** The "Absolute Maximum Ratings" are those values beyond which damage to the device may occur. The databook specifications should be met, without exception, to ensure that the system design is reliable over its power supply, temperature and output/input loading variables. Fairchild does not recommend operation of circuits outside databook specification.

**DC Electrical Characteristics**

Symbol	Parameter	Test Conditions	Min	Typ (Note 2)	Max	Units
$V_{TH}$	Differential Input Threshold HIGH	See Figure 1; $V_{IC} = +0.05V, +1.2V, \text{ or } V_{CC} - 0.05V$			100	mV
$V_{TL}$	Differential Input Threshold LOW	See Figure 1; $V_{IC} = +0.05V, +1.2V, \text{ or } V_{CC} - 0.05V$	-100			mV
$V_{IH}$	Input HIGH Voltage (EN)		2.0		$V_{CC}$	V
$V_{IL}$	Input LOW Voltage (EN)		GND		0.8	V
$V_{OD}$	Output Differential Voltage		250	330	450	mV
$\Delta V_{OD}$	$V_{OD}$ Magnitude Change from Differential LOW-to-HIGH	$R_L = 100 \Omega$ , Driver Enabled,			25	mV
$V_{OS}$	Offset Voltage	See Figure 2	1.125	1.23	1.375	V
$\Delta V_{OS}$	Offset Magnitude Change from Differential LOW-to-HIGH				25	mV
$I_{OS}$	Short Circuit Output Current	$D_{OUT+} = 0V$ and $D_{OUT-} = 0V$ , Driver Enabled $V_{OD} = 0V$ , Driver Enabled		-3.4	-6	mA
$I_{IN}$	Input Current (EN, $D_{INx+}$ , $D_{INx-}$ )	$V_{IN} = 0V$ to $V_{CC}$ . Other Input = $V_{CC}$ or 0V (for Differential Inputs)			$\pm 20$	$\mu A$
$I_{OFF}$	Power Off Input or Output Current	$V_{CC} = 0V$ , $V_{IN}$ or $V_{OUT} = 0V$ to 3.6V			$\pm 20$	$\mu A$
$I_{CCZ}$	Disabled Power Supply Current	Drivers Disabled		4	7	mA
$I_{CC}$	Power Supply Current	Drivers Enabled, Any Valid Input Condition		16.7	23	mA
$I_{OZ}$	Disabled Output Leakage Current	Driver Disabled, $D_{OUT+} = 0V$ to 3.6V or $D_{OUT-} = 0V$ to 3.6V			$\pm 20$	$\mu A$
$V_{IC}$	Common Mode Voltage Range	$ V_{ID}  = 100 \text{ mV}$ to $V_{CC}$	$0V +  V_{ID} /2$		$V_{CC} - ( V_{ID} /2)$	V
$C_{IN}$	Input Capacitance	Enable Input		2.5		pF
		LVDS Input		2.1		
$C_{OUT}$	Output Capacitance			2.8		pF
$V_{BB}$	Output Reference Voltage	$V_{CC} = 3.3V$ , $I_{BB} = 0$ to $-275 \mu A$	1.125	1.2	1.375	V

**Note 2:** All typical values are at  $T_A = 25^\circ C$  and with  $V_{CC} = 3.3V$ .



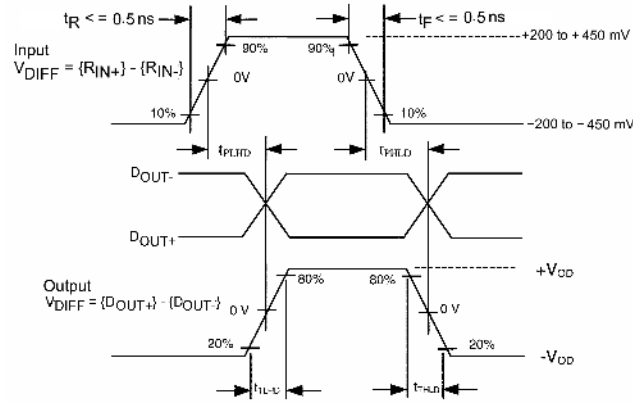
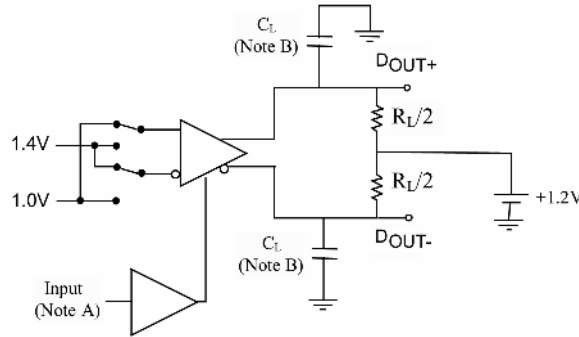


FIGURE 4. AC Waveform



Note A: All input pulses have frequency = 10MHz,  $t_r$  or  $t_f <= 2$  ns  
 Note B:  $C_L$  includes all probe and test fixture capacitances

FIGURE 5. Differential Driver Enable and Disable Circuit

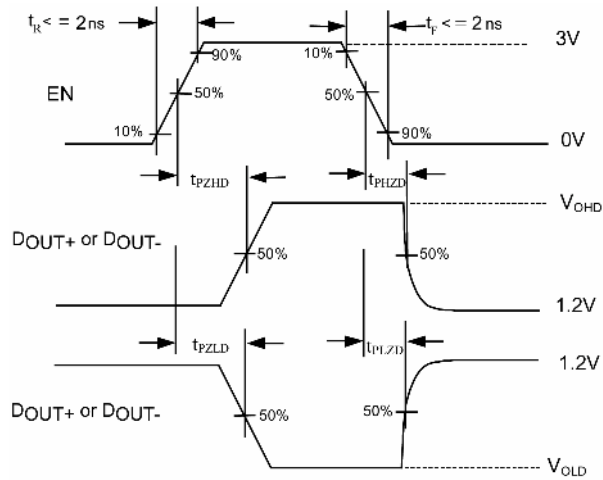
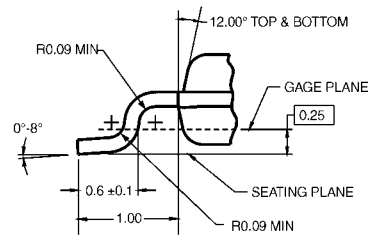
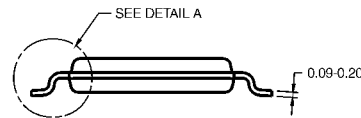
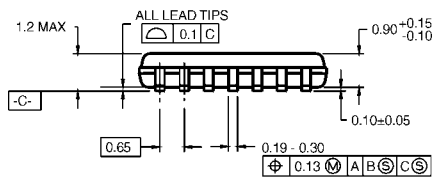
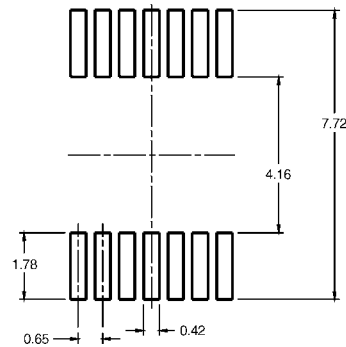
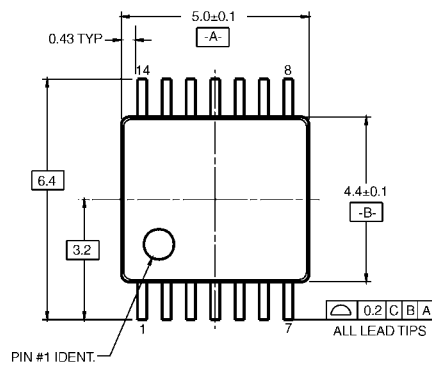


FIGURE 6. Enable and Disable AC Waveforms



- NOTES:
- A. CONFORMS TO JEDEC REGISTRATION MO-153, VARIATION AB, REF NOTE 6, DATE 7/93.
  - B. DIMENSIONS ARE IN MILLIMETERS.
  - C. DIMENSIONS ARE EXCLUSIVE OF BURRS, MOLD FLASH, AND TIE BAR EXTRUSIONS.
  - D. DIMENSIONS AND TOLERANCES PER ANSI Y14.5M, 1982.

MTC14RevC3

DETAIL A

**14-Lead Thin Shrink Small Outline Package (TSSOP), JEDEC MO-153, 4.4mm Wide  
Package Number MTC14**

Fairchild does not assume any responsibility for use of any circuitry described, no circuit patent licenses are implied and Fairchild reserves the right at any time without notice to change said circuitry and specifications.

**LIFE SUPPORT POLICY**

FAIRCHILD'S PRODUCTS ARE NOT AUTHORIZED FOR USE AS CRITICAL COMPONENTS IN LIFE SUPPORT DEVICES OR SYSTEMS WITHOUT THE EXPRESS WRITTEN APPROVAL OF THE PRESIDENT OF FAIRCHILD SEMICONDUCTOR CORPORATION. As used herein:

1. Life support devices or systems are devices or systems which, (a) are intended for surgical implant into the body, or (b) support or sustain life, and (c) whose failure to perform when properly used in accordance with instructions for use provided in the labeling, can be reasonably expected to result in a significant injury to the user.
2. A critical component in any component of a life support device or system whose failure to perform can be reasonably expected to cause the failure of the life support device or system, or to affect its safety or effectiveness.

[www.fairchildsemi.com](http://www.fairchildsemi.com)