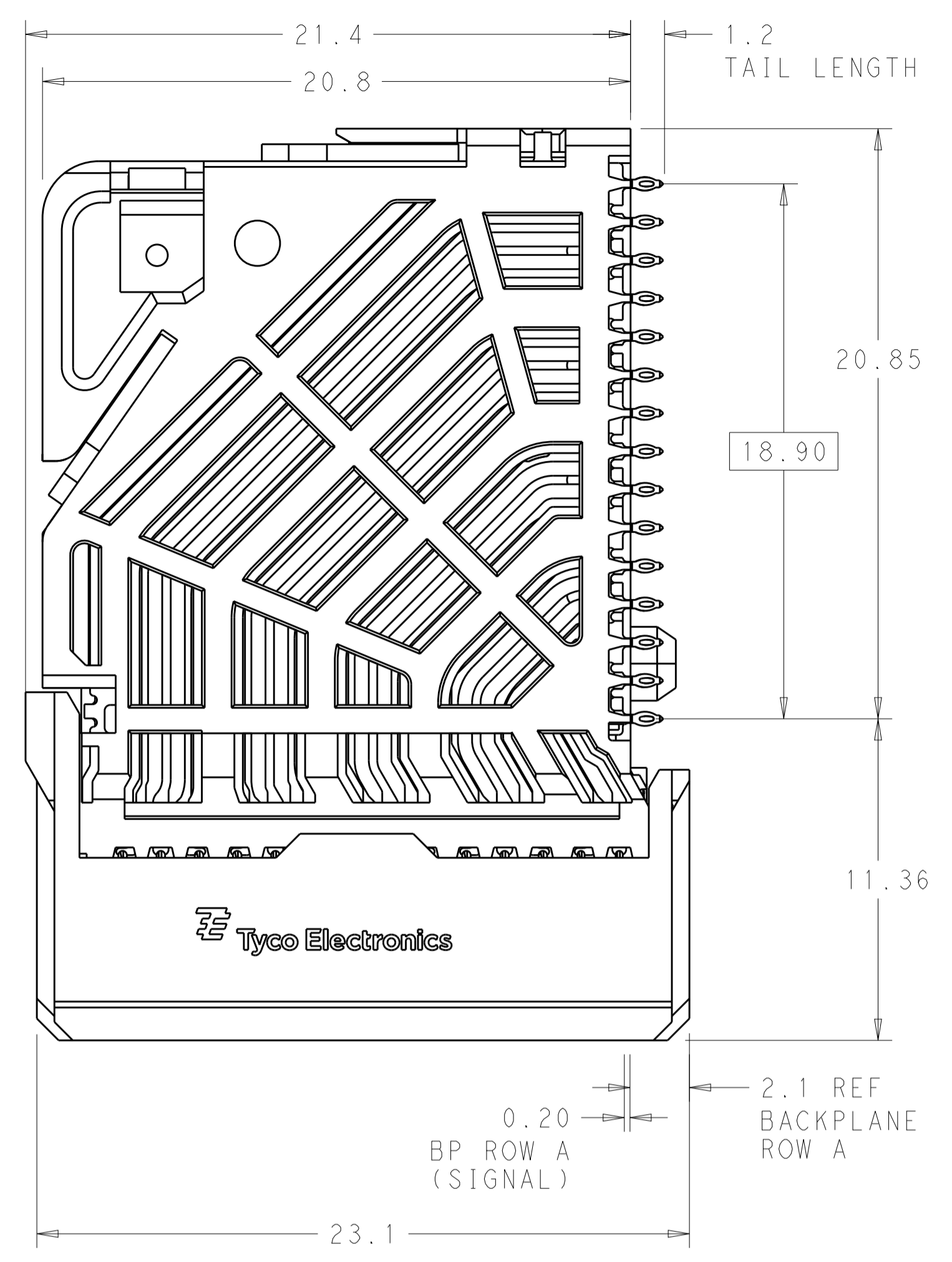
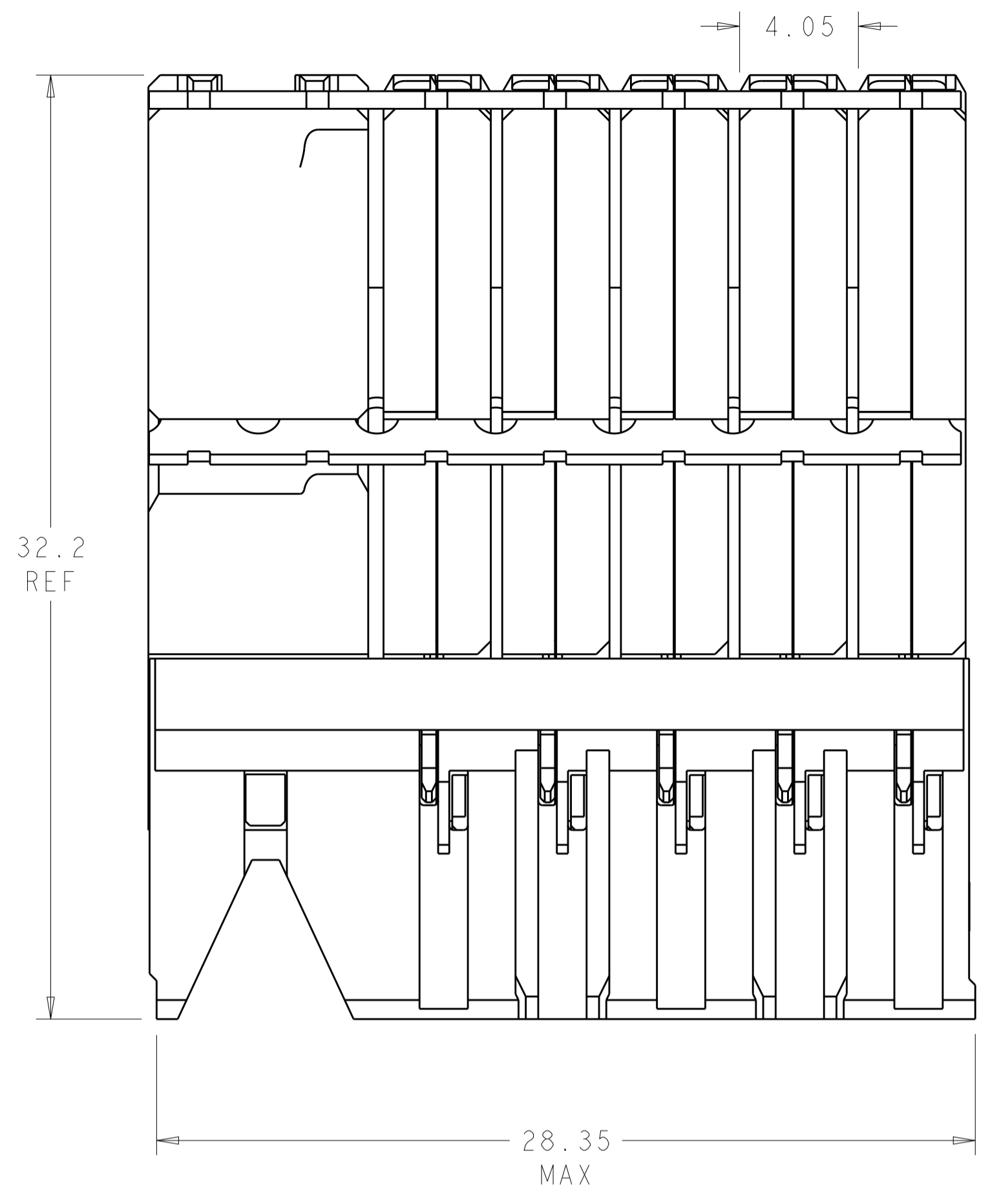
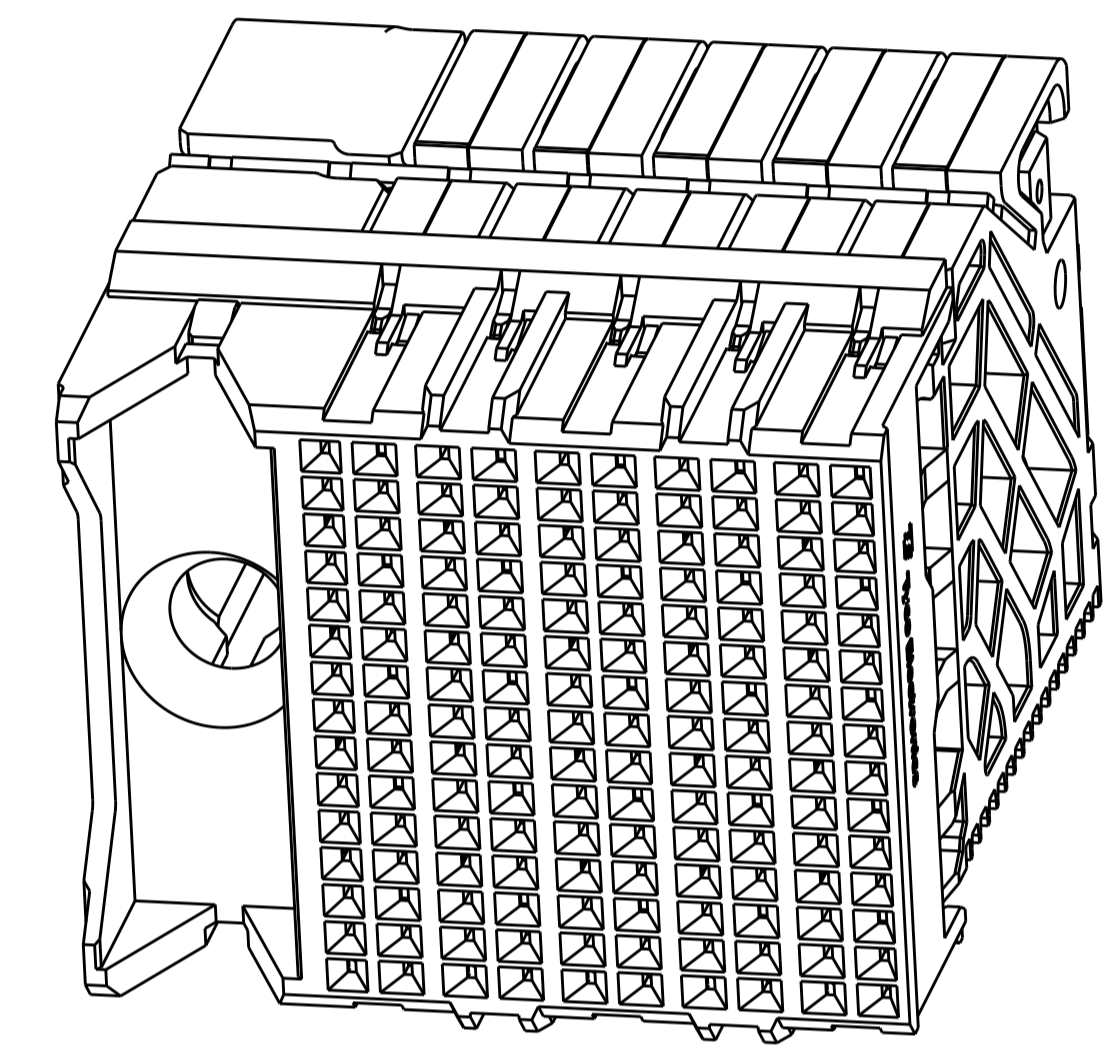


LOC	DIST	REVISIONS			
P	LTN	DESCRIPTION	DATE	DWN	APVD
C		REVISED PER ECO-15-004915	10APR2015	AP	DD

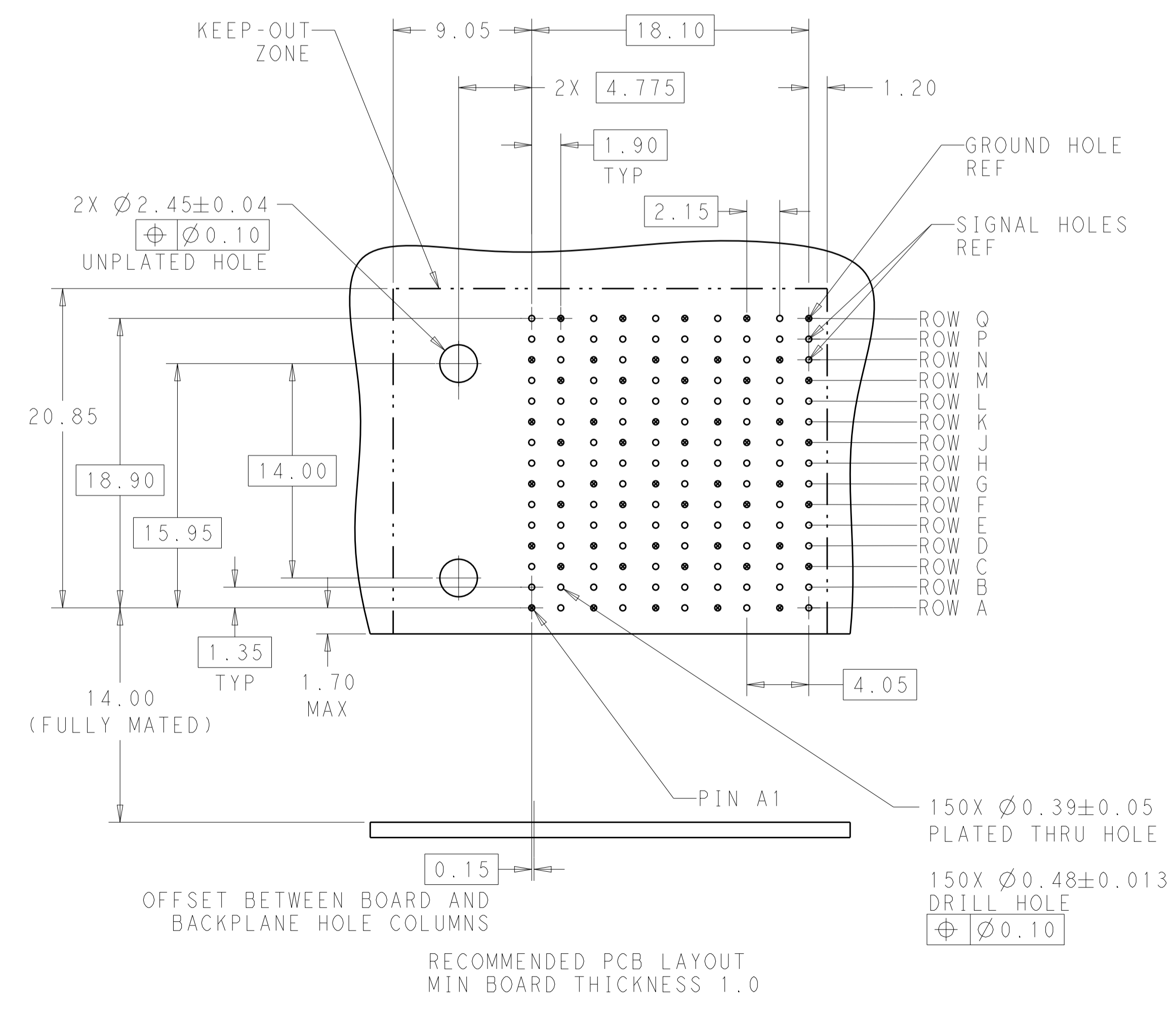
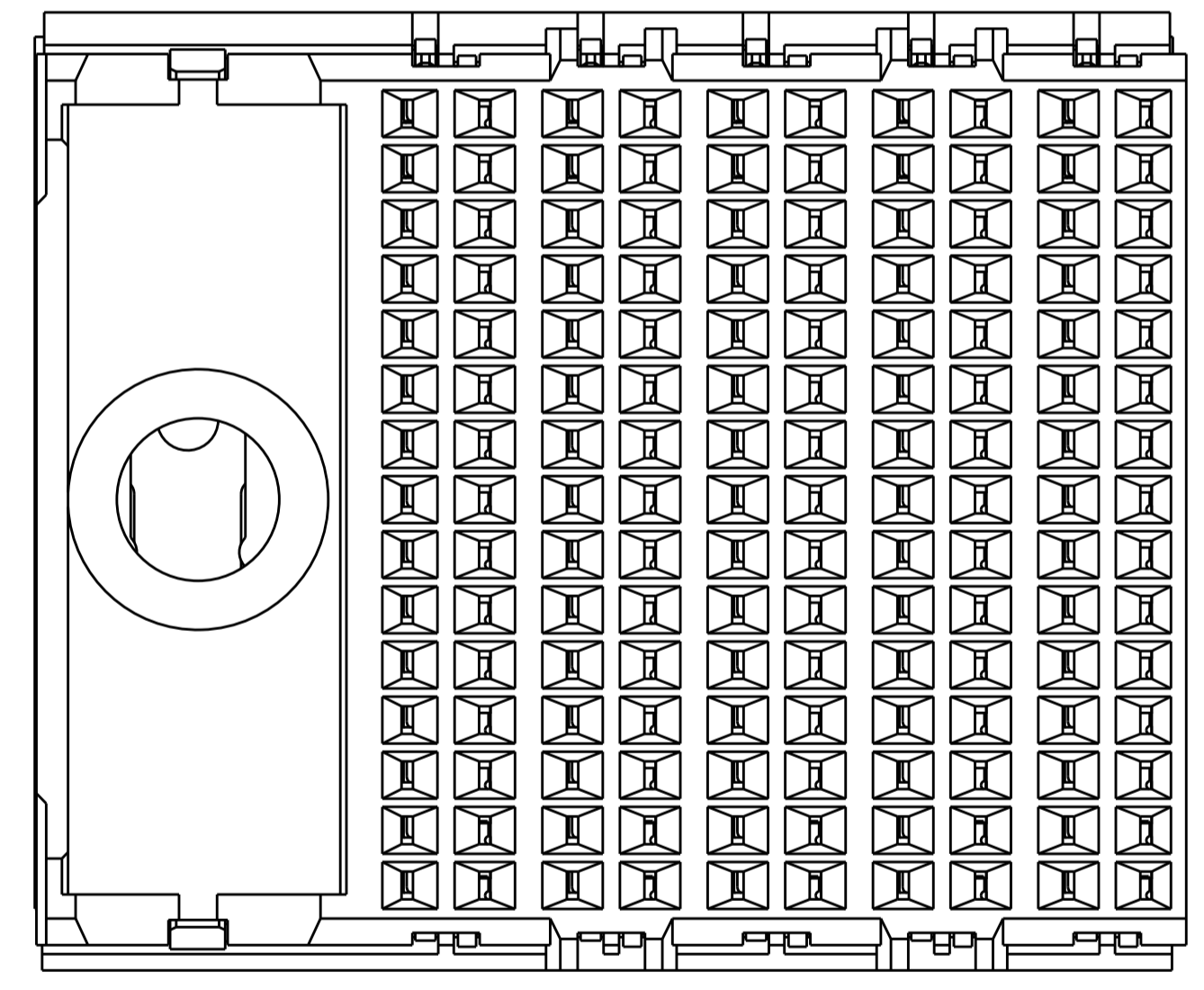


- MATERIAL:
HOUSING: LCP, GLASS FILLED, UL94V-0.
TERMINALS: HIGH PERFORMANCE COPPER ALLOY.
- FINISH:
30µ" SELECTIVE GOLD IN CONTACT AREA. SELECTIVE TIN ON PCB TAILS, NICKEL OVERALL.
- CONNECTORS SUPPLIED WITH MOUNTING SCREWS.



SCALE 4:1

REFER TO WWW.TE.COM FOR PRODUCT AVAILABILITY



NONE	2	2132693-1
KEY POSITION	FINISH	PART NUMBER
STE TE Connectivity		
DWN B. CARBO 08MAR2011 CHK D. DIXON 08MAR2011 APVD D. DIXON 08MAR2011		NAME
DIMENSIONS: mm		PRODUCT SPEC
TOLERANCES UNLESS OTHERWISE SPECIFIED:		APPLICATION SPEC
0 PLC ±		SIZE
1 PLC ±0.25		CAGE CODE
2 PLC ±0.15		DRAWING NO
3 PLC ±		RESTRICTED TO
4 PLC ±		
ANGLES		
MATERIAL		WEIGHT
FINISH SEE TABLE		SCALE
CUSTOMER DRAWING		SHEET 1 OF 1
		REV C