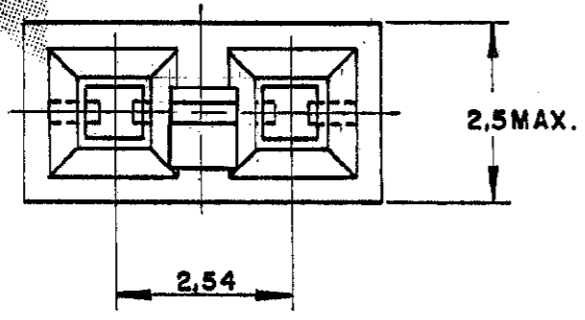
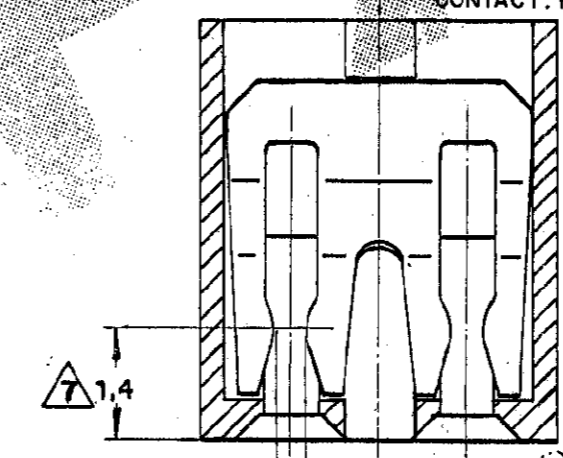
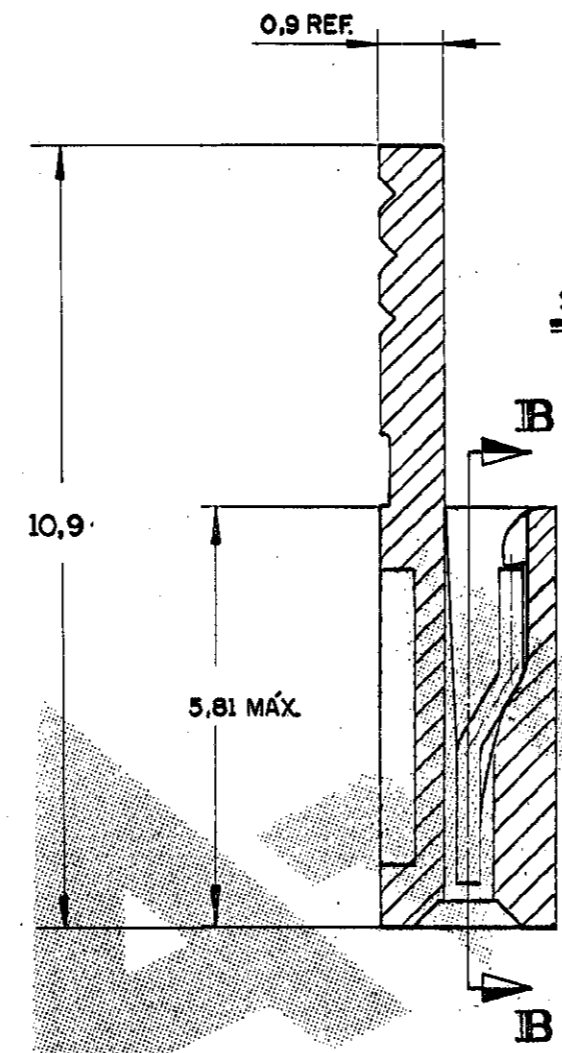
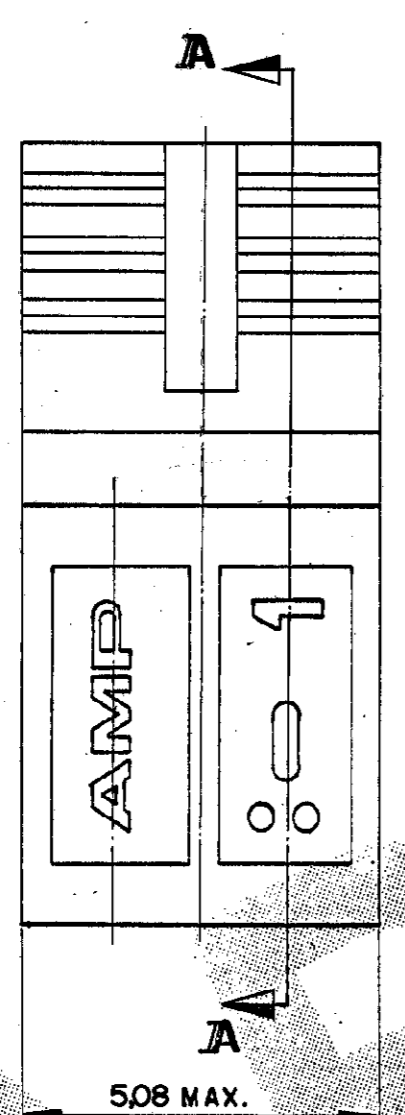


C881545

DO NOT SCALE  
DIMENSIONS IN mm. METRIC 3rd ANGLE PROJECTION

**ATENÇÃO**  
Este desenho esta sob o controle das especificações nos. 102-23 e 102-55. Toda e qualquer alteração, antes de ser processada, deverá ser comunicada aos clientes envolvidos, através dos procedimentos atuais.  
  
Ver pasta "Notificação ao Cliente"

- NOTAS:**
- 1 MATERIAL: HOUSING: TERMOPLÁSTICO C/ FIBRA DE VIDRO V-O COR: PRETO  
CONTACTO: BRONZE FOSFOROSO
  - 2 MATERIAL: HOUSING: THERMOPLASTIC WITH GLASS FIBER V-O COLOR: BLACK  
CONTACT: PHOSPHOROUS BRONZE
  - 3 MATERIAL: HOUSING: TERMOPLÁSTICO C/ FIBRA DE VIDRO HB COR: NATURAL  
CONTACTO: BRONZE FOSFOROSO
  - 4 MATERIAL: HOUSING: THERMOPLASTIC WITH GLASS FIBER HB COLOR: NATURAL  
CONTACT: PHOSPHOROUS BRONZE
  - 5 0,38 µm. MIN. OURO NA AREA DE CONTATO, SOBRE BANHO 0,76 µm NIQUEL  
0,38 µm. MIN. GOLD ON CONTACT AREA, 0,76 µm NIQUEL UNDERPLATING
  - 6 0,76 µm. MIN. OURO NA AREA DE CONTATO, SOBRE BANHO 0,76 µm NIQUEL  
0,76 µm. MIN. GOLD ON CONTACT AREA, 0,76 µm NIQUEL UNDERPLATING
  - 7 1,27 µm. MIN. OURO NA AREA DE CONTATO, SOBRE BANHO 0,76 µm NIQUEL  
1,27 µm. MIN. GOLD ON CONTACT AREA, 0,76 µm NIQUEL UNDERPLATING
  - 8 ESTANHO SOBRE NIQUEL  
TIN OVER NICKEL
  - 9 PONTO DE CONTATO P/ MEDIÇÃO DA CAMADA DE OURO  
CONTACT POINT FOR GOLD PLATING MEASUREMENT
  - 10 ACEITA FINO QUADRADO 0,64 x 0,64 OU REDONDO Ø 0,64  
ALLOW SQUARE PIN 0,64 x 0,64 OR ROUND Ø 0,64
  - 11 MATERIAL: HOUSING: TERMOPLÁSTICO C/ 15% DE FIBRA DE VIDRO, V2, COR VERMELHO (PADRÃO DE COR: RAL 3000).  
CONTACTO: BRONZE FOSFOROSO
  - 12 MATERIAL: HOUSING THERMOPLASTIC WITH 15% GLASS FIBER, V2, COLOR RED (STAND COLOR: RAL 3000)  
CONTACT: PHOSPHOROUS BRONZE.



- 10 SIMILAR DO P/N 881545-2, PORÉM EM EMBALAGENS C/ 2.000 PEÇAS/SACO PLÁSTICO.  
SIMILAR OF P/No 881545-2 BUT IN PACKAGES W/ 2.000 PARTS/ PLASTIC BAG.
- 11 MATERIAL HOUSING: TERMOPLÁSTICO COM 15% FIBRA DE VIDRO, V2, COR AMARELO (RAL 1016)  
CONTACTO: BRONZE FOSFOROSO  
MATERIAL: HOUSING: THERMOPLASTIC 15% GLASS FIBER V2, COLOR YELLOW (RAL 1016)  
CONTACT: PHOSPHOROUS BRONZE.
- 12 MATERIAL HOUSING TERMOPLÁSTICO COM 15% FIBRA DE VIDRO, V2, COR VERDE (AMP A6484) CONTACTO: BRONZE FOSFOROSO  
MATERIAL HOUSING THERMOPLASTIC 15% GLASS FIBER, V2, COLOR GREEN (AMP A6484) CONTACT: PHOSPHOROUS BRONZE.
- 13 OBSOLETE PARTS: OBSOLETE CIS STREAMLINING PER D.RENAUD/D.SINISI

V2, COLOR GREEN (AMP A6484)

6	1	4-	-2
3	2	4-	-1
8	3	3	-1
13	4	2	-4
6	5	2-	-5
4	2-	2-	-2
3	3	2	881545-1
13	4	10	9
6	7		-8
5	7		-7
4	6		-6
3	5		-5
6	2		-4
5	3		-3
4	2		-2
3	1		881545-1

OTHER TREATMENT FINISH MATERIAL PART NUMBER

CUSTOMER DWG for REFERENCE ONLY

THIS DRAWING IS UNPUBLISHED | RELEASED FOR PUBLICATION

TOLERANCES UNLESS OTHERWISE STATED:  
DEC. ±0,5  
ANGLES ±1°

DR. [Signature] 11-09-88

INS. DIA. RANGE WIRE RANGE SCALE

**STE** TE Connectivity

DESCRIPTION: AMP SHUNT  
LOW PROFILE CONNECTOR ASSY

REV. SHEET: A2 C 881545 K4 1 of 2

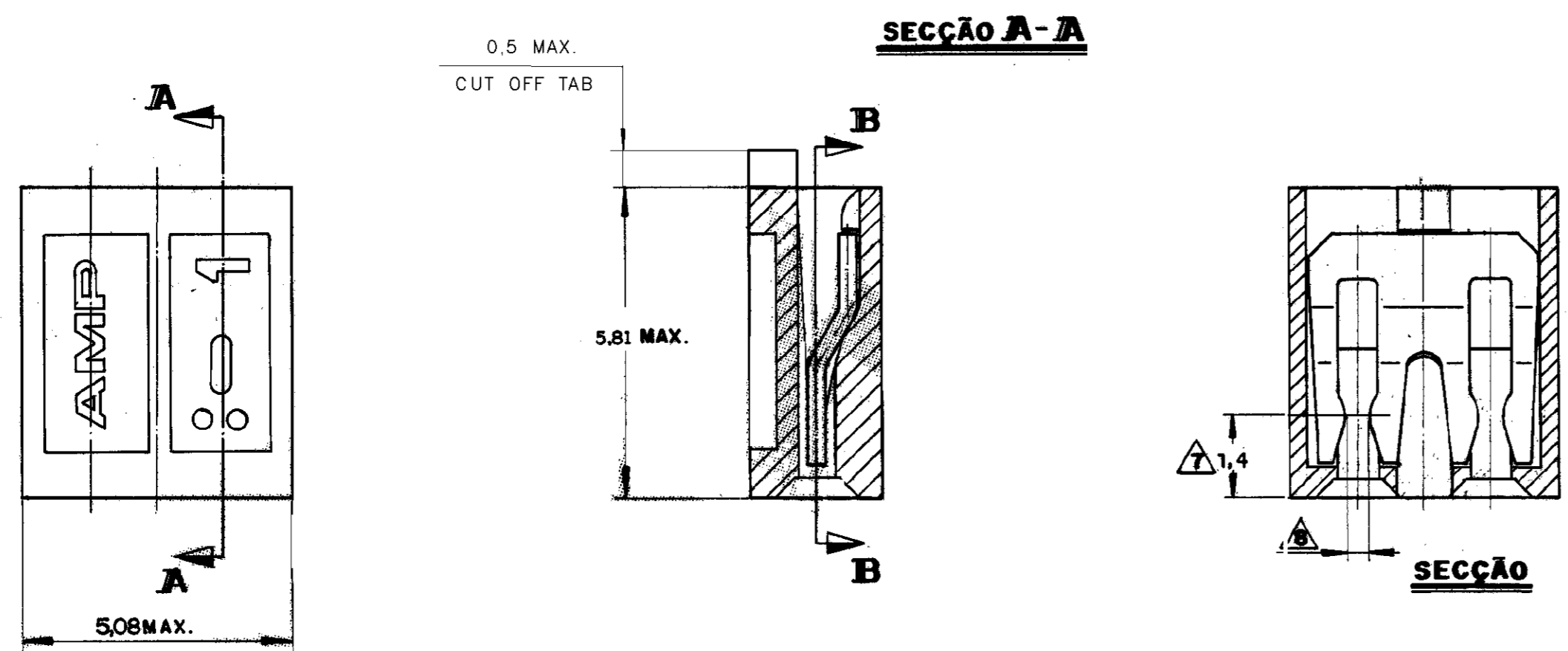
K4	REV. ECO 17-004195	HC	WLS	30MAY11
K3	REV. ECO11-023509	HC	WLS	02DEC11
K2	REVISED PER ECO-11-005139	RK	HMR	06APR11
ISS	REVISION RECORD	DR	CHK	DATE

C 881545

DO NOT SCALE  
DIMENSIONS IN mm.

**METRIC**

3rd ANGLE PROJECTION



OBSOLETE 13	6	2	8
	6	2	7
	4	2	6
	3	2	881545-5
OBSOLETE 13	6	1	8
	5	1	7
	4	1	6
	3	1	5
OBSOLETE 13	6	1	4
	5	1	3
	4	1	2
	3	1	881545-1

OTHER TREATMENT	FINISH	MATERIAL	PART NUMBER
<b>CUSTOMER DWG</b> for REFERENCE ONLY			
THIS DRAWING IS UNPUBLISHED   RELEASED FOR PUBLICATION			
TOLERANCES UNLESS OTHERWISE STATED: DEC. ±0.5 ANGLES ±1°		INS. DIA. RANGE	WIRE RANGE
DR. <i>[Signature]</i> 11-09-88		<b>STE</b> TE Connectivity	
CHK. <i>[Signature]</i> 08-11-88		DESCRIPTION <b>AMP SHUNT</b>	
DE. <i>[Signature]</i>		<b>LOW PROFILE CONNECTOR ASS'Y</b>	
ISS. REVISION RECORD		DWG NO. <b>A2</b>	REV. SHEET <b>K4 2 OF 2</b>
DR.	CHK.	DATE	APP. <i>[Signature]</i> 29/10/88

SEE SHEET 1 OF 2