

6643220-1 ✓ ACTIVE

TE Internal #: 6643220-1

Rectangular Power Connectors, Connector Assembly, Receptacle,  
Wire-to-Board / Board-to-Board, 1 Position, 2.54 mm [.1 in]  
Centerline

[View on TE.com >](#)



Connectors > Power Connectors > Rectangular Power > Rectangular Power Connectors



Rectangular Power Connector Type: **Connector Assembly**

Connector & Housing Type: **Receptacle**

Connector System: **Board-to-Board, Wire-to-Board**

Number of Positions: **1**

Centerline (Pitch): **2.54 mm [.1 in]**

## Features

### Product Type Features

Rectangular Power Connector Type	Connector Assembly
Connector & Housing Type	Receptacle
Connector System	Board-to-Board, Wire-to-Board
Sealable	No
Connector & Contact Terminates To	Printed Circuit Board

### Configuration Features

Number of Positions	1
PCB Mount Orientation	Right Angle
Number of Power Positions	0
Number of Signal Positions	0
Number of Rows	1
Board-to-Board Configuration	Co-Planar

### Electrical Characteristics

Operating Voltage	250 VAC
-------------------	---------

### Contact Features

Contact Fabrication	Stamped & Formed
PCB Contact Termination Area Plating Material Thickness	5.08 $\mu$ m[200 $\mu$ in]
Contact Mating Area Plating Material	Gold
Contact Base Material	Copper Alloy



Contact Current Rating (Max)	25 A, 35 A
Contact Retention Within Housing	Without
Contact Type	Socket
PCB Contact Termination Area Plating Material	Silver
Contact Mating Area Plating Material Thickness	.76 $\mu\text{m}$ [29.92 $\mu\text{in}$ ]

### Termination Features

Termination Post & Tail Length	4.57 mm[.18 in]
Termination Method to Printed Circuit Board	Through Hole - Press-Fit

### Mechanical Attachment

Mating Retention	Without
Mating Alignment	Without
PCB Mount Retention	With
PCB Mount Retention Type	Action/Compliant Tail
Connector Mounting Type	Board Mount

### Housing Features

Centerline (Pitch)	2.54 mm[.1 in]
Housing Color	Black
Housing Material	Polyester

### Dimensions

Connector Height	9.02 mm[.355 in]
PCB Thickness (Recommended)	2.38 mm[.094 in]
Product Width	7.37 mm[.29 in]
Product Length	13.34 mm[.525 in]

### Usage Conditions

Operating Temperature Range	-40 – 105 $^{\circ}\text{C}$ [-40 – 221 $^{\circ}\text{F}$ ]
-----------------------------	--------------------------------------------------------------

### Operation/Application

Circuit Application	Power
---------------------	-------

### Industry Standards

UL Rating	Recognized
Agency/Standard	UL
Approved Standards	UL 1977
UL Flammability Rating	UL 94V-0



Glow Wire Rating	Standard Part - Not Glow Wire
------------------	-------------------------------

**Packaging Features**

Packaging Quantity	96
Packaging Method	Carton

**Product Compliance**

[For compliance documentation, visit the product page on TE.com>](#)

EU RoHS Directive 2011/65/EU	Compliant
EU ELV Directive 2000/53/EC	Compliant
China RoHS 2 Directive MIIT Order No 32, 2016	No Restricted Materials Above Threshold
EU REACH Regulation (EC) No. 1907/2006	Current ECHA Candidate List: JUNE 2023 (235) Candidate List Declared Against: JAN 2023 (233) Does not contain REACH SVHC
Halogen Content	Not Low Halogen - contains Br or Cl > 900 ppm.
Solder Process Capability	Not applicable for solder process capability

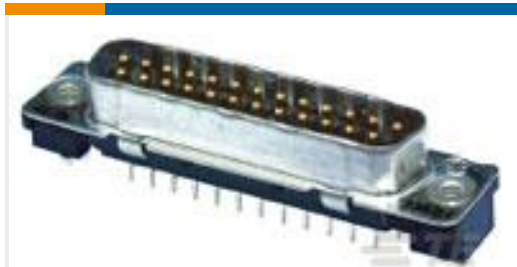
Product Compliance Disclaimer

This information is provided based on reasonable inquiry of our suppliers and represents our current actual knowledge based on the information they provided. This information is subject to change. The part numbers that TE has identified as EU RoHS compliant have a maximum concentration of 0.1% by weight in homogenous materials for lead, hexavalent chromium, mercury, PBB, PBDE, DBP, BBP, DEHP, DIBP, and 0.01% for cadmium, or qualify for an exemption to these limits as defined in the Annexes of Directive 2011/65/EU (RoHS2). Finished electrical and electronic equipment products will be CE marked as required by Directive 2011/65/EU. Components may not be CE marked. Additionally, the part numbers that TE has identified as EU ELV compliant have a maximum concentration of 0.1% by weight in homogenous materials for lead, hexavalent chromium, and mercury, and 0.01% for cadmium, or qualify for an exemption to these limits as defined in the Annexes of Directive 2000/53/EC (ELV). Regarding the REACH Regulation, the information TE provides on SVHC in articles for this part number is based on the latest European Chemicals Agency (ECHA) 'Guidance on requirements for substances in articles' posted at this URL: <https://echa.europa.eu/guidance-documents/guidance-on-reach>

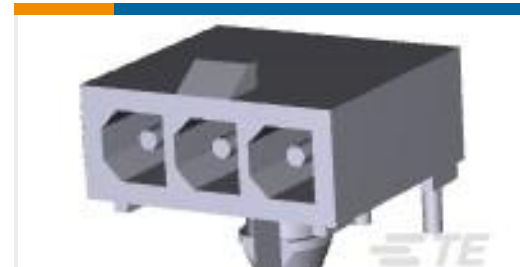
**Compatible Parts**



## Customers Also Bought



TE Part #1-5745968-6  
25 PLUG SP/FMS SCRLK



TE Part #1-770967-1  
03P MINI UMNL R/A HDR ASSY AU



TE Part #1-770873-1  
03P MINI UMNL HDR ASSY AU LF



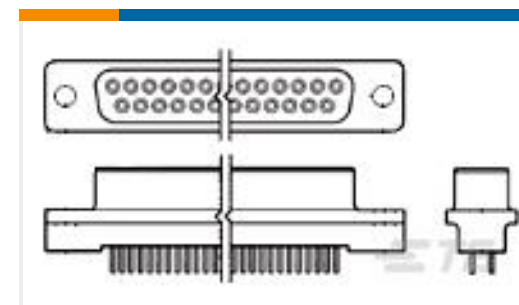
TE Part #1-2129458-1  
DC Power Jack Conn DIP type 10.7A



TE Part #5-1734857-5  
PCI EXP STRADDLE 36P BLK 30u"



TE Part #6643274-1  
ICCON,PIN,ASSY



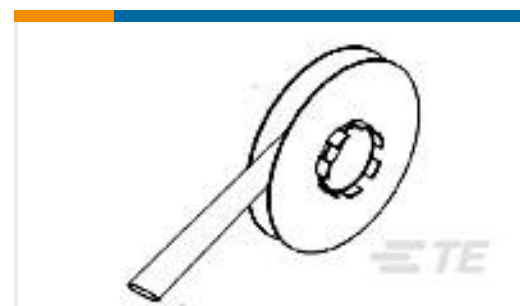
TE Part #5207828-4  
HD-20 RCPT 25P VERT



TE Part #5-103634-4  
05 MTE HDR SRRA LATCH.100CL LF



TE Part #1766663-1  
ICCON PIN, 16MM, M3.5 EXT THREAD



TE Part #CM6262-000  
TTMS-MP-6.4-9

## Documents

### Product Drawings

[SLIMLINE,ICCON,SKT,ASSY](#)

English

### CAD Files

Customer View Model

[ENG\\_CVM\\_6643220-1\\_C.3d\\_igs.zip](#)

English

Customer View Model

[ENG\\_CVM\\_6643220-1\\_C.3d\\_stp.zip](#)

English

Customer View Model

[ENG\\_CVM\\_6643220-1\\_C.2d\\_dxf.zip](#)

English

### 3D PDF

English

By downloading the CAD file I accept and agree to the [Terms and Conditions](#) of use.



### Datasheets & Catalog Pages

[POWER\\_CONNECTORS\\_CATALOG\\_SEC01\\_BOARD\\_TO\\_BOARD](#)

English

[1-1773718-4\\_POWER\\_CONNECTORS\\_QRG\\_CN](#)

[1-1773718-5\\_POWER\\_CONNECTORS\\_QRG\\_TCN](#)

[1-1773718-6\\_POWER\\_CONNECTORS\\_QRG\\_JA](#)

Japanese

[2\\_PIECE\\_POWER\\_CONNECTORS\\_qrg\\_4-1773458-1](#)

English

---

### Product Specifications

[Application Specification](#)

English

---

### Product Environmental Compliance

[TE Material Declaration](#)

English