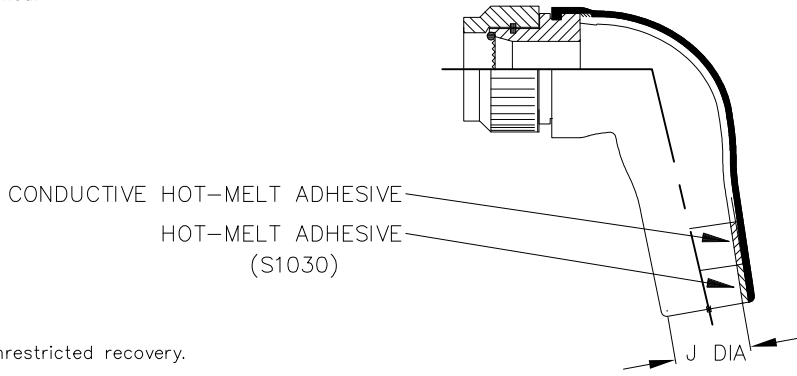


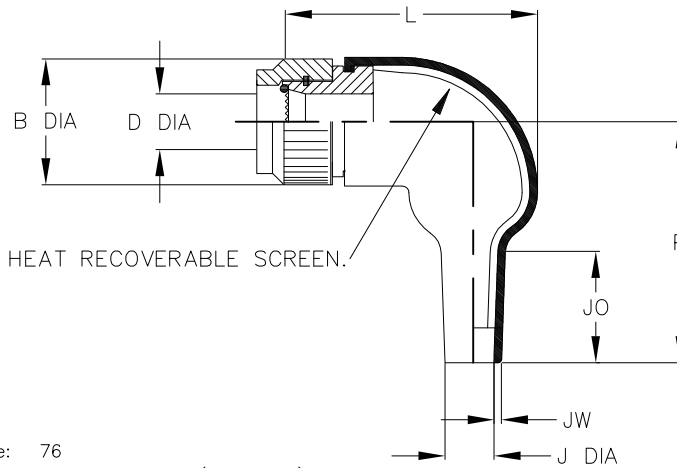
REVISIONS

P	LTR	DESCRIPTION	DATE	DWN	APVD
	5	RELEASED AS PER ECO-17-009529	03JUL2017	KH	MP

a) Part as supplied.



b) Part after unrestricted recovery.



NOTES:

Raychem Connector Code: 76
 Connector Series: BS 9522 F0017 (PATT 105)
 Adaptor Series: 228M0**-19-R**-K-NS (Olive Drab)
 Aluminium alloy to BS1474 HE30TF, FC1 or 6262
 Cadmium per SAE-AMS-QQ-P-416, Type II, Class 3
 Over electroless nickel, partial passivation
 No olive drab on rear knurled diameter of body (500 hour salt spray)

Moulded Part Material: -100C (Black); Polyolefin/Silver Composites, semi-flexible
 ZEROHAL™ Low fire hazard

Kits to include cleaning tissue, 1 piece 100 grit emery cloth & packing piece.
 Kit to be used in conjunction with installation guide for 90 & 45 deg. assemblies.

Dimensions in mm [inches for reference]

Part No.	Shell Size	B DIA MAX	D DIA MIN	J		P ±10% b	L ±10% b	JO REF b	JW ±30% b
				MIN a	MAX b				
KTKK1251	10	20.1 [.79]	9.4 [.37]	9 [.35]	6.0 [.24]	38 [1.50]	46 [1.81]	17 [.67]	1.0 [.04]
KTKK1252	12	23.6 [.92]	13.4 [.52]	11 [.43]	7.2 [.28]	42 [1.65]	49 [1.93]	18 [.71]	1.0 [.04]
KTKK1253	14	26.6 [1.05]	14.2 [.55]	11 [.43]	7.2 [.28]	42 [1.65]	49 [1.93]	18 [.71]	1.0 [.04]
KTKK1254	16	30.1 [1.19]	18.9 [.74]	17 [.66]	8.5 [.33]	51 [2.01]	56 [2.20]	20 [.79]	1.0 [.04]
KTKK1255	18	33.1 [1.30]	18.9 [.74]	17 [.66]	8.5 [.33]	51 [2.01]	56 [2.20]	20 [.79]	1.0 [.04]
KTKK1256	20	36.6 [1.44]	23.7 [.93]	21 [.82]	10.0 [.39]	67 [2.64]	63 [2.48]	28 [1.10]	1.5 [.06]
KTKK1257	22	39.6 [1.56]	23.7 [.93]	21 [.82]	10.0 [.39]	67 [2.64]	63 [2.48]	28 [1.10]	1.5 [.06]
KTKK1258	24	43.1 [1.70]	30.9 [1.22]	29 [1.14]	15.8 [.62]	80 [3.15]	72 [2.83]	31 [1.22]	1.5 [.06]

RELEASED FOR PUBLICATION

ALL RIGHTS RESERVED.

COPYRIGHT 2016 By TE Connectivity

THIS DRAWING IS UNPUBLISHED.

DIMENSIONS: mm [INCHES]	DWN K. HOLAL 14OCT2016	MATERIAL SEE NOTES	FINISH SEE NOTES
	CHK N. NAGAR 14OCT2016	TE Connectivity	
TOLERANCES UNLESS OTHERWISE SPECIFIED:	APVD M. POPE 14OCT2016		
0 PLC ± -	PRODUCT SPEC	SIZE A4	
1 PLC ± -	—	CAGE CODE 00779	DRAWING NO KTKK1251-1258
2 PLC ± -	APPLICATION SPEC	RESTRICTED TO —	
3 PLC ± -	—	SCALE DNS	
4 PLC ± -	—	SHEET 1 OF 1	
ANGLES ± -	WEIGHT	REV 5	
CUSTOMER DRAWING			

