

NOTES:

1. MATERIALS AND FINISHES:

SMA BODY & COUPLING NUT - BRASS, NICKEL PLATING
 AMMC BODY - STAINLESS STEEL, PASSIVATED
 CONTACT - BERYLLIUM COPPER, GOLD PLATING
 INSULATOR - PTFE

2. ELECTRICAL:

A. IMPEDANCE : 50 OHM, NOMINAL
 B. FREQUENCY RANGE : DC - 6.0 GHz
 C. VSWR : 1.150 MAX.

3. MECHANICAL:

A. DURABILITY: 30 CYCLES MIN.
 B. TEMPERATURE RANGE: -65° C TO +165° C

4. PACKAGING:

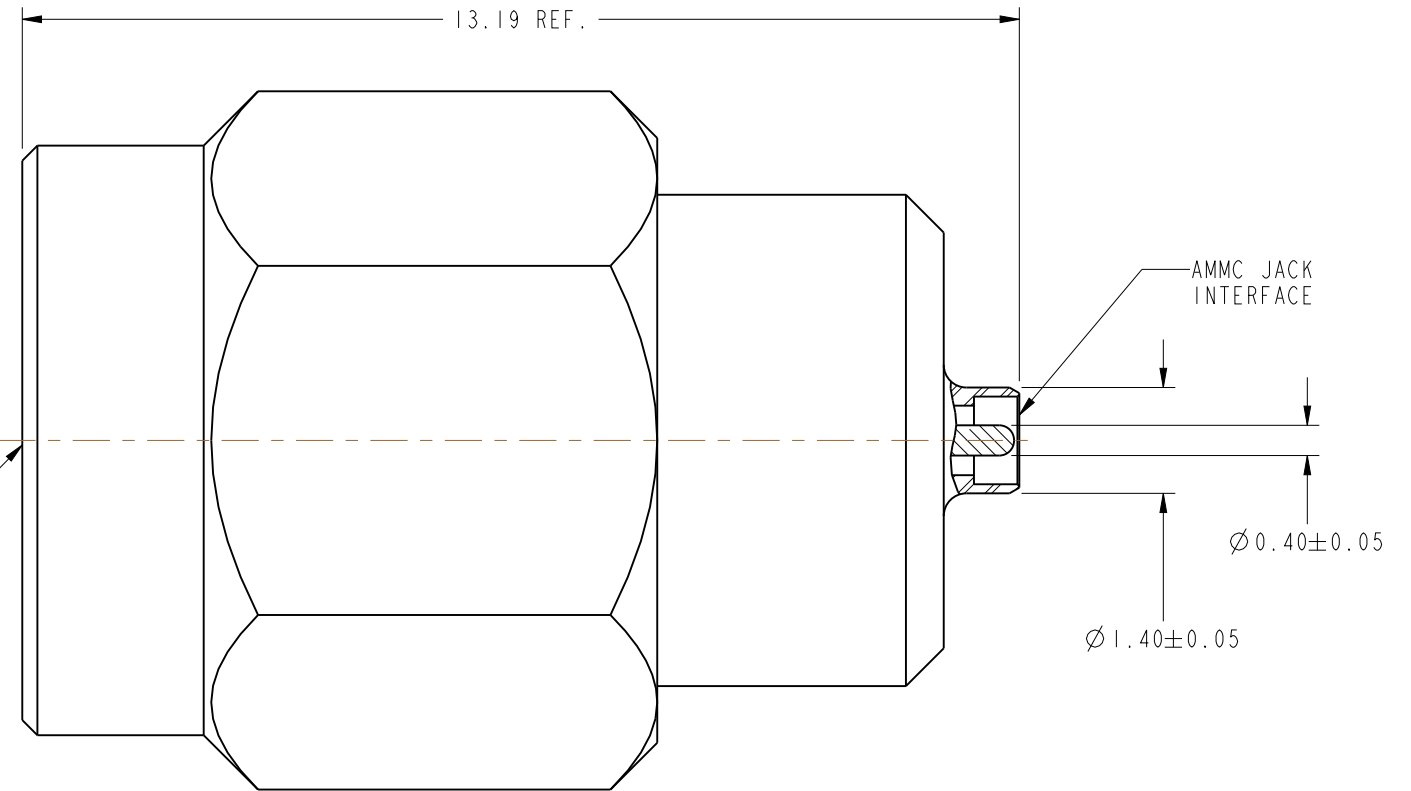
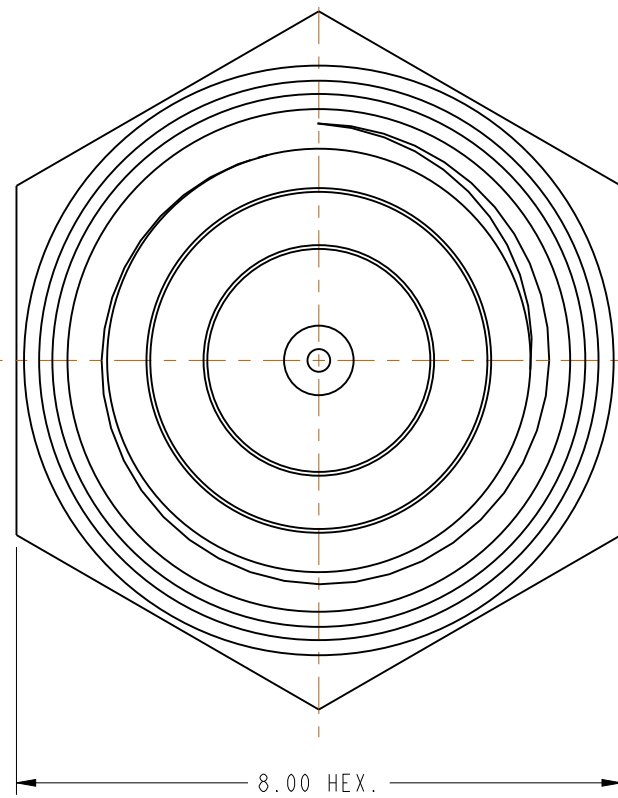
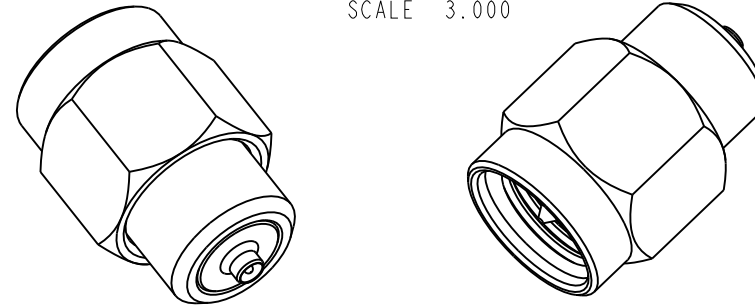
A. QUANTITY: SINGLE PACK
 B. MARKING: AMPHENOL RF
 242290
 DATE CODE"

THIRD ANGLE PROJ.

REVISIONS

REV	DESCRIPTION	DATE	ECO	APPR
A	RELEASE TO MFG.	16-Dec-14	2847	BCG

SCALE 3.000



CUSTOMER OUTLINE DRAWING

ALL OTHER SHEETS ARE FOR INTERNAL USE ONLY

UNLESS OTHERWISE SPECIFIED, DIMENSIONS ARE IN METRIC AND TOLERANCES ARE:
 <0.5mm ±0.05mm 0.5 - 6mm ±0.1mm 6 - 30mm ±0.2mm 30 - 120mm ±0.3mm ANGLES ±1°

NOTICE - These drawings, specifications, or other data (1) are, and remain the property of Amphenol corp. (2) must be returned upon request; and (3) are confidential and not to be disclosed to any person other than those to whom they are given by Amphenol Corp. the furnishing of these drawings, specifications, or other data by Amphenol Corp., or to any other person to anyone for any purpose is not to be regarded by implication or otherwise in any manner licensing, granting rights to permitting such holder or any other person to manufacture, use or sell any product, process or design, patented or otherwise, that may in any way be related to or disclosed by said drawings, specifications, or other data.

MATERIAL	DRAWN M. DONG	DATE 02-Dec-14	TITLE SMA PLUG TO AMMC (W.FL) JACK ADAPTER		Amphenol RF www.amphenolrf.com	
REFERENCE ARFA PN: SMAM-AMMCM2-NT5GP-50	ENGINEER B.C. GLEISSNER	DATE 02-Dec-14				
CONFIGURATION LEVEL: In Work	APPROVED B.C. GLEISSNER	DATE 16-Dec-14	SCALE: 10.0:1.0	SHEET 3 OF 3	DRAWING NO.	
FINISH	CAD FILE	DWG SIZE B	REV A	ITEM NO.		
				PART NO. 242290		