

## Description

The F4482 is a 1300MHz to 2800MHz Quad Path Tx DVGA with matched 100Ω differential input and 50Ω single-ended output impedances for ease of integration into the signal path.

Using a single 3.3V power supply and only 485mA of  $I_{CC}$ , the F4482 provides four independent transmit paths, each with 27.5dB typical maximum gain, +16.5dBm output P1dB. Each channel includes a glitch-free digital step attenuator that reduces gain by up to 31.5dB in precise 0.5dB steps.

Packaged in an 8 × 8 mm, 56-LGA package, this device is part of a complete family of VGAs targeting FDD and TDD applications within the 400MHz to 4200MHz frequency range.

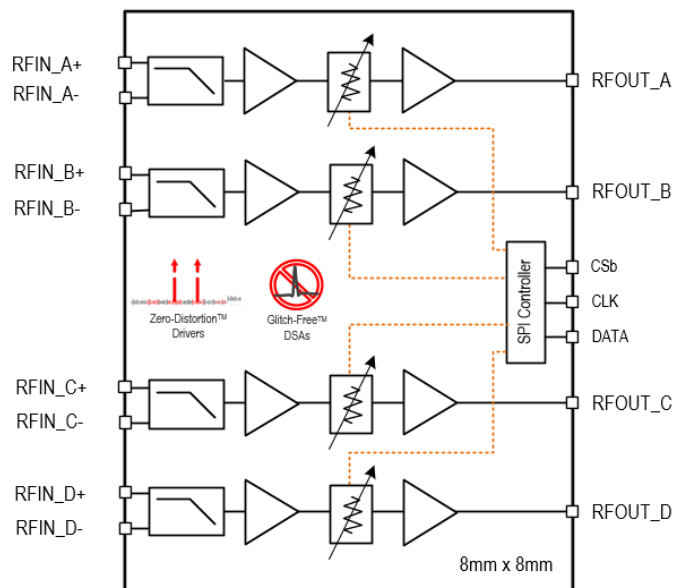
## Typical Applications

- 4G and 5G Multi-mode, Multi-carrier transmitters
- LTE and UMTS/WCDMA base stations
- Active antenna systems
- Digital radio

## Features

- Independent Quad Channels for FDD Tx Applications
- RF Range: 1300MHz to 2800MHz
  - F4481: 400MHz to 1100MHz
  - F4483: 3000MHz to 4200MHz
- 27.5dB Typical Maximum Gain at 2100MHz
- Precise SPI-Controlled Glitch-Free™ Gain Adjustment
  - 31.5dB Gain Range with 0.5dB Step Size
- +16.5dBm Output P1dB at 2100MHz
- 3.3V supply voltage
- $I_{CC} = 485\text{mA}$
- 100Ω Differential Input Impedances
- 50Ω Single-ended Output Impedances
- 1.8V and 3.3V Logic Support
- Independent Channel Standby Modes for Power Savings
- Operating Temperature ( $T_{EP}$ ) Range: -40°C to +115°C
- 8 × 8 mm, 56-LGA package

## Block Diagram



## Ordering Information

Orderable Part Number	Package	MSL Rating	Shipping Packaging	Temperature
F4482LKGI	8 × 8 × 0.65 mm 56-LGA	TBD	Tray	-40° to +115°C
F4482LKG18	8 × 8 × 0.65 mm 56-LGA	TBD	Reel	-40° to +115°C
F4482EVB	Evaluation Board			
F4482EVS	Evaluation Kit			

## Revision History

Revision Date	Description of Change
May 11, 2020	Initial release.

## IMPORTANT NOTICE AND DISCLAIMER

RENESAS ELECTRONICS CORPORATION AND ITS SUBSIDIARIES (“RENESAS”) PROVIDES TECHNICAL SPECIFICATIONS AND RELIABILITY DATA (INCLUDING DATASHEETS), DESIGN RESOURCES (INCLUDING REFERENCE DESIGNS), APPLICATION OR OTHER DESIGN ADVICE, WEB TOOLS, SAFETY INFORMATION, AND OTHER RESOURCES “AS IS” AND WITH ALL FAULTS, AND DISCLAIMS ALL WARRANTIES, EXPRESS OR IMPLIED, INCLUDING, WITHOUT LIMITATION, ANY IMPLIED WARRANTIES OF MERCHANTABILITY, FITNESS FOR A PARTICULAR PURPOSE, OR NON-INFRINGEMENT OF THIRD PARTY INTELLECTUAL PROPERTY RIGHTS.

These resources are intended for developers skilled in the art designing with Renesas products. You are solely responsible for (1) selecting the appropriate products for your application, (2) designing, validating, and testing your application, and (3) ensuring your application meets applicable standards, and any other safety, security, or other requirements. These resources are subject to change without notice. Renesas grants you permission to use these resources only for development of an application that uses Renesas products. Other reproduction or use of these resources is strictly prohibited. No license is granted to any other Renesas intellectual property or to any third party intellectual property. Renesas disclaims responsibility for, and you will fully indemnify Renesas and its representatives against, any claims, damages, costs, losses, or liabilities arising out of your use of these resources. Renesas' products are provided only subject to Renesas' Terms and Conditions of Sale or other applicable terms agreed to in writing. No use of any Renesas resources expands or otherwise alters any applicable warranties or warranty disclaimers for these products.

(Disclaimer Rev.1.0 Mar 2020)

### Corporate Headquarters

TOYOSU FORESIA, 3-2-24 Toyosu,  
Koto-ku, Tokyo 135-0061, Japan  
[www.renesas.com](http://www.renesas.com)

### Contact Information

For further information on a product, technology, the most up-to-date version of a document, or your nearest sales office, please visit:  
[www.renesas.com/contact/](http://www.renesas.com/contact/)

### Trademarks

Renesas and the Renesas logo are trademarks of Renesas Electronics Corporation. All trademarks and registered trademarks are the property of their respective owners.