



Product Description:

- Glove Box Dispenser - Single - Large Capacity
- Holds one box of gloves
- Keyholes for wall mounting
- White Powder-Coated Steel

Primary Area for Product Usage:

- Anywhere glove boxes are needed

Dispenses:

- Box(es) no larger than 6.44"W x 10.00"H x 3.75"D (16.4 cm x 25.4 cm x 9.5 cm)
- Box(es) no smaller than 5.00"W x 9.00"H x 3.00"D (12.7 cm x 22.9 cm x 7.6 cm)

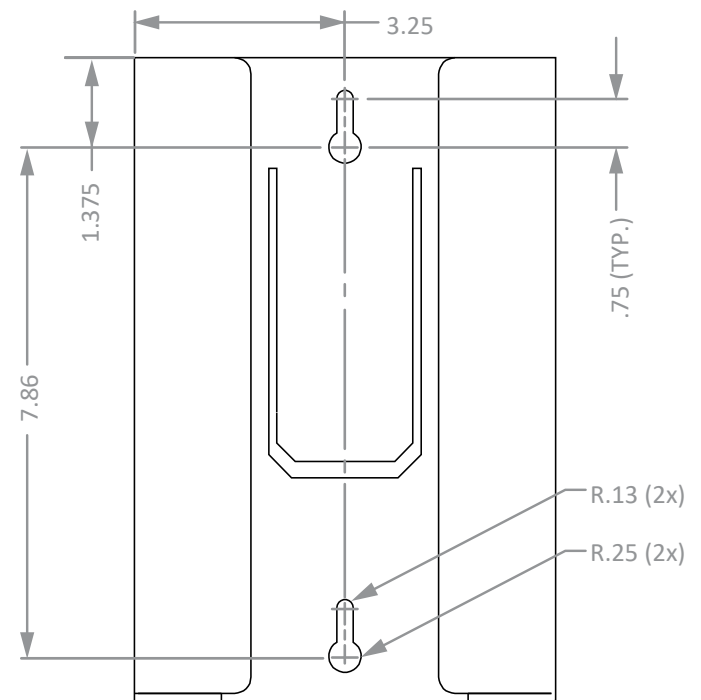
Package Specifications:

- Package Quantity: 4 per case
- 20"L x 16"W x 12"H (50.8 cm x 40.6 cm x 30.5 cm)
- 23.0 lbs (10.4 kg) - approximated

Product Specifications (overall external dimensions):

- 6.50"W x 9.96"H x 3.80"D (16.5 cm x 25.3 cm x 9.7 cm)
- 1.6 lbs (0.7 kg) - approximated

Mounting Specifications:



Related Products (each sold separately):

- GB-001: Glove Box Dispenser - Single with Flexible Spring (shown below)

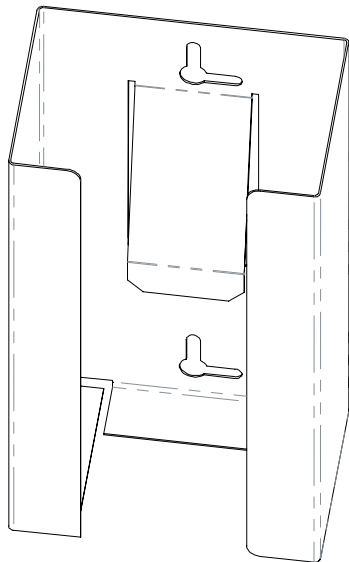




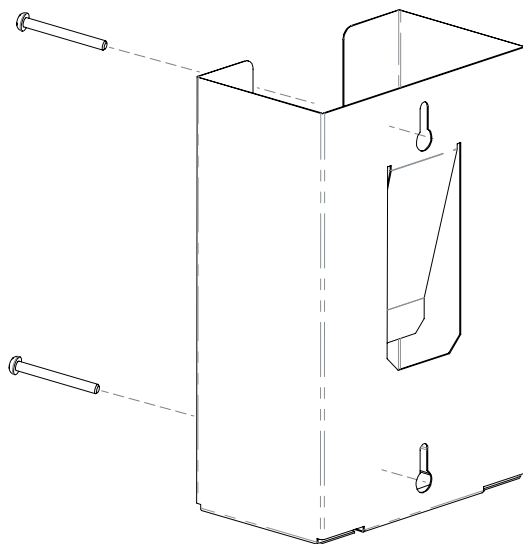
Installation

Always mount dispensers securely *prior* to loading with product.

- Built-in flexible spring holes boxes securely even as supply diminishes.



- Mount securely to a wall with screws approved and supplied by building maintenance.



Parts included:

- Dispenser

Tools Required:

- No tools required to assemble dispenser

Care and Construction

Powder-Coated Steel

Material Characteristics

Designed for Long-Term Use

Our steel dispensers and stands are coated with polyester powders which makes them highly resistant to corrosion.

Powder-coated steel is ideal for dispensers used in a healthcare or an industrial setting because it is impact resistant and is not affected by extremes in temperature.

Dispensers and stands made of powder-coated steel are both attractive and functional, providing years of service.

Care and Cleaning

For best results, clean by washing the surface with a diluted solution of a mild, non-abrasive detergent in cold or warm water and a non-abrasive cloth. Standard hospital cleaning supplies can be used.

Dry with a soft cloth. Do not use any solvent-based materials, abrasives (e.g. Scotch-brite, steel wool), or apply excessive force during cleaning.