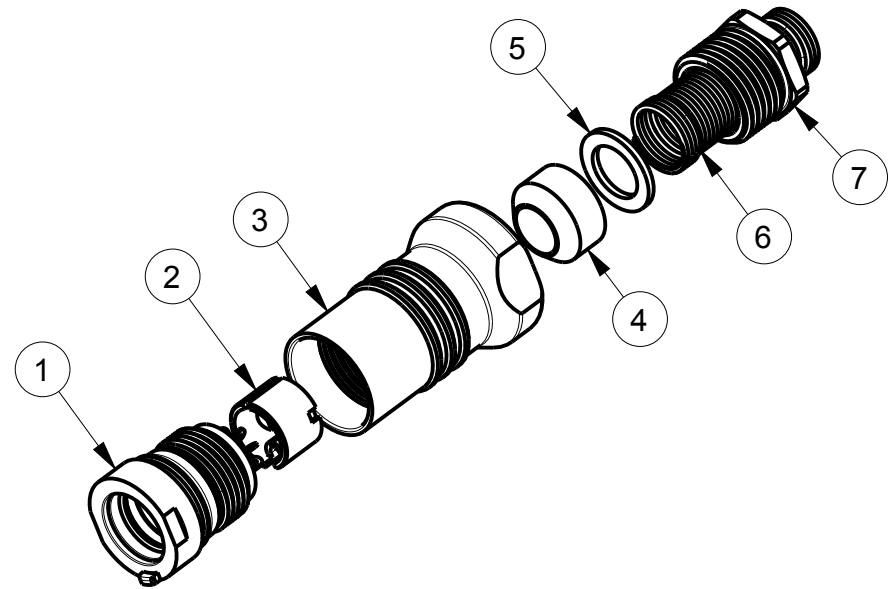
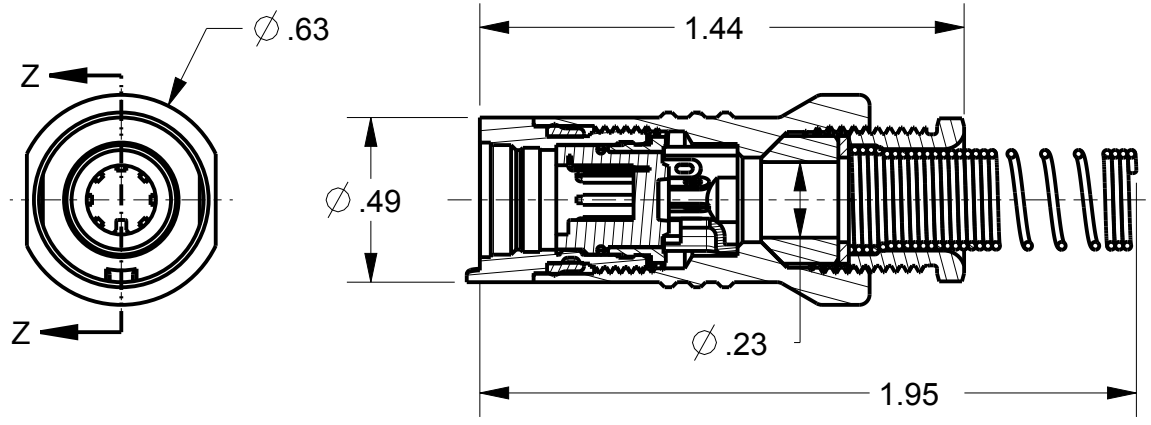


ITEM #	PART #	QTY	DESCRIPTION
1	AJ-117BR-1	1	JACK SUBASSEMBLY
2	AJ-117BR-2	1	STRAIN RELIEF
3	AJ-117BR-32	1	SHELL, JACK
4	AJ-117BR-9	1	BUSHING, ϕ .25
5	AJ-117BR-10	1	WASHER, ϕ .25 ID
6	AJ-117BR-15	1	SPRING, ϕ .25 ID
7	AJ-117BR-11	1	STUD, SHELL - ϕ .25

A AJ-117BRXL-CP



NOTES:
1) ORDERING PART NUMBER: AJ-117BRXL



SECTION Z-Z

THIS DOCUMENT CONTAINS PROPRIETARY INFORMATION OF NEXUS, INCORPORATED AND SUCH INFORMATION MAY NOT BE DISCLOSED TO OTHERS FOR ANY PURPOSE OR USED FOR ANY PURPOSE WITHOUT THE WRITTEN CONSENT OF NEXUS.

					DWN.BY	LDE	DATE	Aug-25-05	MATERIAL		
					CHECKED BY		DATE		FINISH		
					APPR.BY		DATE		WEIGHT	SCALE = 2.00 :1	
					UNLESS OTHERWISE SPECIFIED: DIMENSIONS ARE IN INCHES &/OR [mm]				NEXUS STAMFORD, CONN		
					TOLERANCES: DECIMAL: .XX[X.X] .XXX[X.XX] ± .0X[0.X] ± .00X[0.0X]						
B	UPDATE DIMS	211	8/25 2014	HR	FRACTION: X/X ANGLES: X ± ± X				TITLE JACK XL- 1/4" STRAIN RELIEF		
LET.	REVISION	CN #	DATE	CHK.					DO NOT SCALE DWG.	SHEET 1 OF 1	
										SIZE	DWG. NO.
										A	AJ-117BRXL-CP