

4

3

2

1

THIS DRAWING IS UNPUBLISHED.

RELEASED FOR PUBLICATION

20

LOC

DIST

REVISIONS

© COPYRIGHT 20 BY TYCO ELECTRONICS CORPORATION. ALL RIGHTS RESERVED.

DS

-

P

LTR

DESCRIPTION

DATE

DWN

APVD

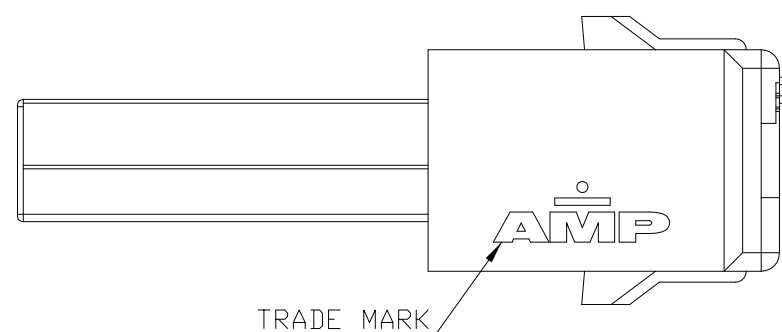
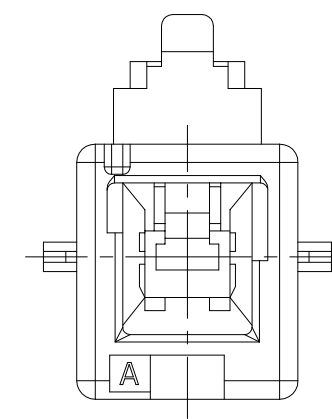
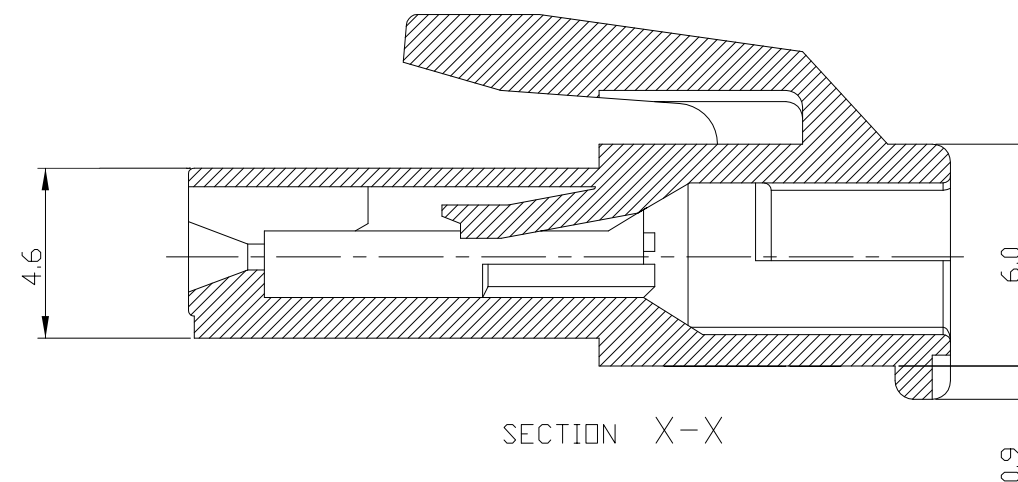
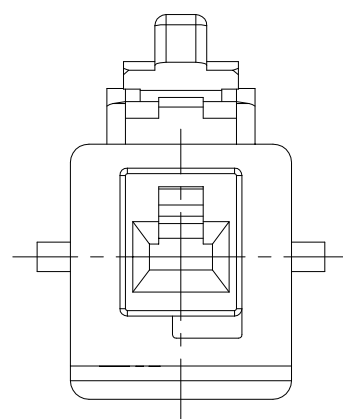
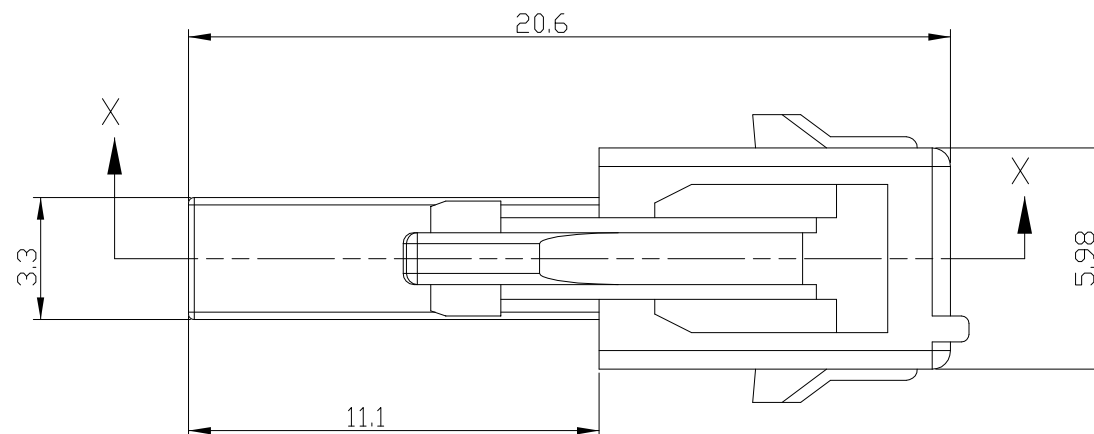
B

REVISED PER ECR-19-009721

10 JUL '19

M.G

D.Z



NOTE:
 1. THIS HOUSING ACCEPTS RECEPTACLE TERMINAL:
 - REC CONTACT: 177915- □ (AWG#16-#20)
 : 177914- □ (AWG#22-#26)
 2. MATING CONN. P/N
 - TAB CONTACT: 177917- □ (AWG#16-#20)
 : 177916- □ (AWG#22-#26)
 3. APPLICABLE DOUBLE LOCK PLATE: 316770-1
 *IT SHOULD BE USED CERTAINLY WHEN CABLE ASS'Y
 4. GENERAL TOLERANCES: ±0.3
 MATERIAL: PA66, UL 94V-0,
 COMPLY WITH GLOW WIRE REQUIREMENT FOR PARTS
 OF NON-METALLIC MATERIALS SUPPORTING CURRENT-CARRYING
 CONNECTION DETAILED IN IEC 60335-1, SECTION 30 (GWT)

| | |
|-----------|---------|
| 2005246-9 | BLACK |
| 2005246-6 | BLUE |
| 2005246-4 | YELLOW |
| 2005246-2 | RED |
| 2005246-1 | NATURAL |
| P/N | COLOR |

| | | | | |
|--|--|------------------------------|--|--------------------|
| THIS DRAWING IS A CONTROLLED DOCUMENT FOR TYCO ELECTRONICS CORPORATION IT IS SUBJECT TO CHANGE AND THE CONTROLLING ENGINEERING ORGANIZATION SHOULD BE CONTACTED FOR THE LATEST REVISION. | | DWN SC KIM | Tyco Electronics AMP KOREA Kyungsan, Korea | |
| DIMENSIONS: mm | | CHK BW KANG | NAME | |
| TOLERANCES UNLESS OTHERWISE SPECIFIED: 0 PLC ±- 1 PLC ±0.1 2 PLC ±0.01 3 PLC ±0.001 4 PLC ±0.0001 ANGLES ±- | | APVD JK SONG | PDL 1P PLUG HSG (GWT) | |
| MATERIAL 5 | | FINISH - | PRODUCT SPEC 108-5410 | RESTRICTED TO |
| | | APPLICATION SPEC 114-5175 | SIZE A3 | CAGE CODE 00779 |
| | | WEIGHT - | DRAWING NO 2005246 | SCALE 5:1 |
| | | CUSTOMER DRAWING | SHEET 1 | OF 1 |
| | | | REV B | |