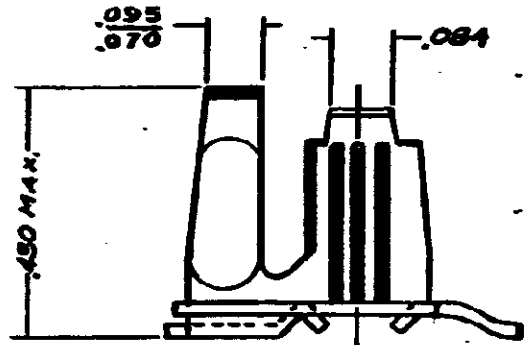
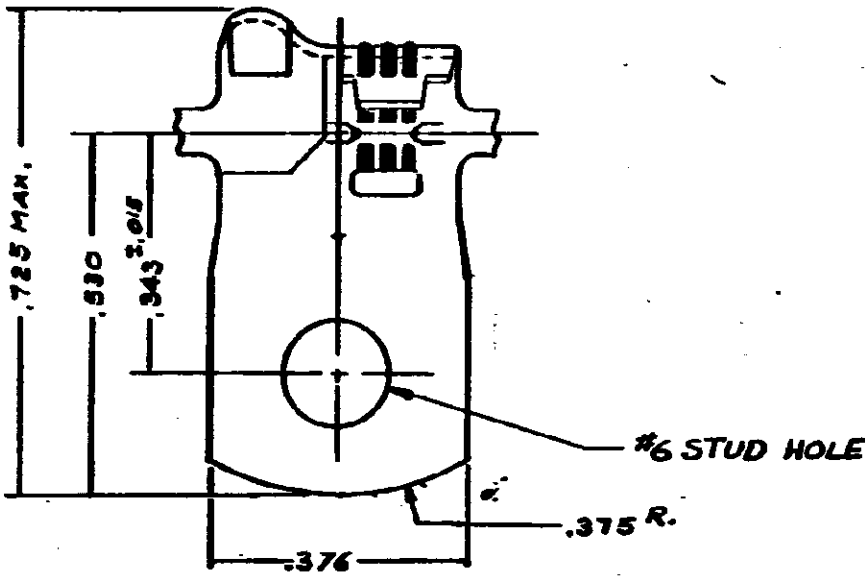


42189  
SUPPLEMENT TO

USED ON



REV.	NO.	DATE	BY	REASON
1				
2				
3	X			
4				
5				
6				
7				
8				
9				
10				
11				
12				
13				
14				
15				
16				
17				
18				
19				
20				
21				
22				
23				
24				
25				
26				
27				
28				
29				
30				
31				
32				
33				

MATERIAL: .0176 COMM. BRASS  
FINISH: 42189-1 TIN

© THE 2 BY AMP INCORPORATED  
AMP PRODUCTS COVERED BY PATENTS  
AND/OR PATENTS PENDING.

**CUSTOMER DRAWING**

AMP INCORPORATED  
AUTOMATIC MACHINE DIVISION  
HARRISBURG, PENNA.

167  
**FLAG KING**

WIRE RANGE #18 - #12  
INSULATION RANGE .110 - .210  
TOLERANCES- ALL DIMENSIONS ±.010, EXCEPT AS NOTED.

01 RESTORATION  
NO. ALTERATION DATE BY E.C.R.

D. GILKELI 5-22-59  
E.S. DILLIPLANE 5-22-59  
D.E. J. HENDBLET 5-22-59  
E.S. DILLIPLANE

SCALE: 4-1  
SUPPLEMENT TO 42189