

NOTES:

1. MATERIALS:

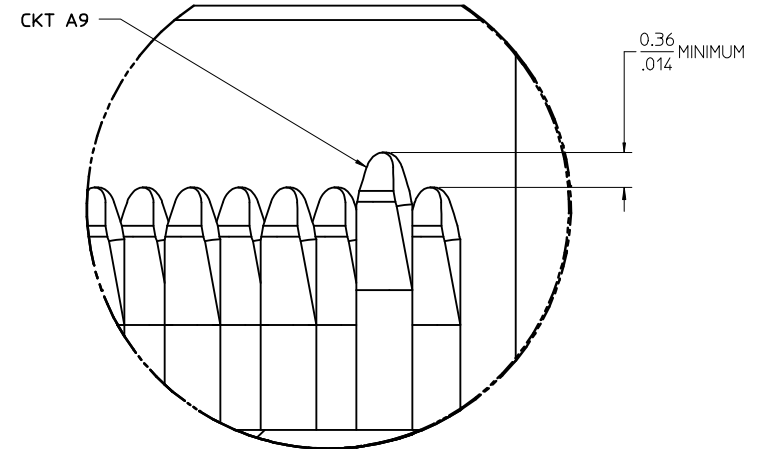
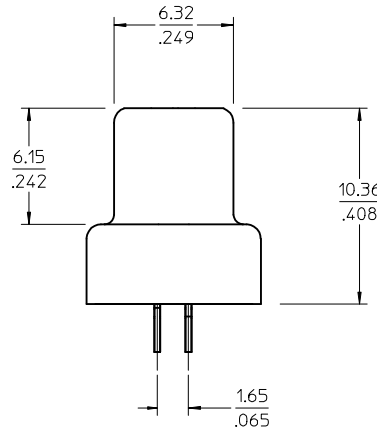
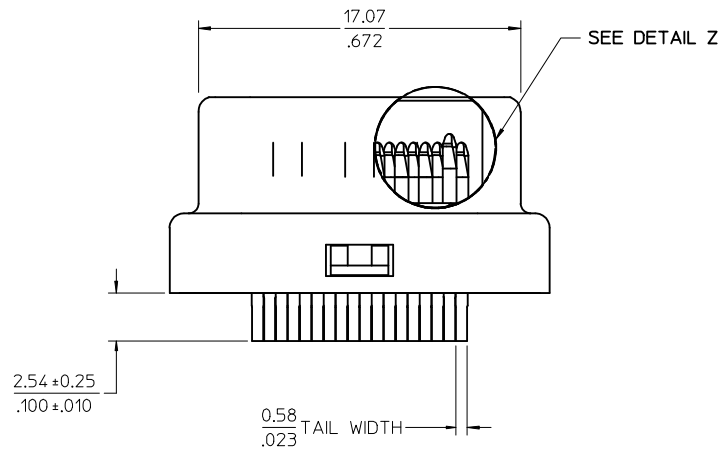
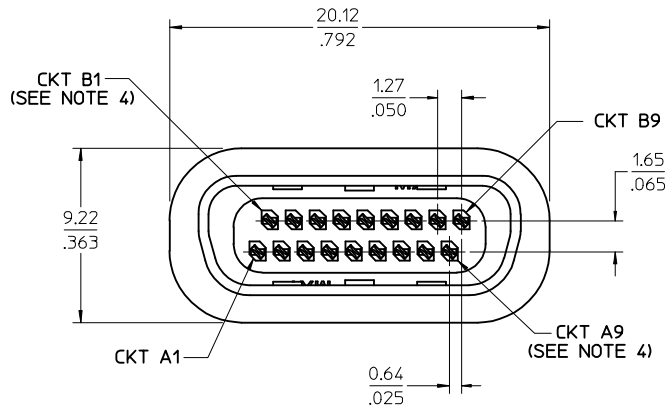
SHIELD: DEEP DRAWN STEEL.
 HOUSING: GLASS FILLED POLYMER, COLOR: BLACK, UL 94V-0.
 STICK: COPPER ALLOY, OVERMOLDED WITH GLASS FILLED POLYMER, COLOR: BLACK, UL 94V-0.

2. PLATING:

SHIELD: 2.54 MICROMETERS/100 MICROINCHES MINIMUM BRIGHT TIN (Sn) OVER 1.27 MICROMETERS/50 MICROINCHES MINIMUM NICKEL (Ni) OVER COPPER (Cu) UNDERPLATE OVERALL.
 TERMINALS: SELECTIVE GOLD (Au) IN CONTACT AREA, THICKNESS 0.38 MICROMETERS/15 MICROINCHES MINIMUM; SELECTIVE TIN (Sn) IN TAIL AREA, THICKNESS 2.54 MICROMETERS/100 MICROINCHES MINIMUM OVER NICKEL (Ni) UNDERPLATE OVERALL.

3. PLUG ASSEMBLIES ARE PACKAGED IN TUBES. SEE PACKAGING SPECIFICATION PK-75000-991.

4. CIRCUITS A9 AND B1 ARE FIRST MATE LAST BREAK.



DETAIL Z
SCALE 20:1

INITIAL RELEASE EC NO: UCP2009-3097 DRWNG: JANTELEZ10 2009/06/23 CHKD: 2009/08/14 APPR: MBANAKIS 2009/08/14	QUALITY SYMBOLS ▽=0 ▽=0	GENERAL TOLERANCES (UNLESS SPECIFIED)		DIMENSION STYLE	SCALE	DESIGN UNITS	THIRD ANGLE PROJECTION	
				MM/IN	5:1	INCH		
		4 PLACES ± ---	± ---	DRAWN BY	DATE	TITLE		
		3 PLACES ± ---	± .010	DMORGAN	2005/12/16	SALES DRAWING - TDP TRAD DIFFERENTIAL PAIR 18 CIRCUIT PLUG		
2 PLACES ± 0.25	± ---	CHECKED BY	DATE	MOLEX INCORPORATED DOCUMENT NO. SD-75000-000 SHEET NO. 1 OF 1				
1 PLACE ± ---	± ---	BBARKER	2005/12/16					
ANGULAR ± 1/2°		APPROVED BY	DATE					
DRAFT WHERE APPLICABLE MUST REMAIN WITHIN DIMENSIONS		SMILLER	2005/12/16					
		MATERIAL NO.	75000-1018					
		SIZE	C	THIS DRAWING CONTAINS INFORMATION THAT IS PROPRIETARY TO MOLEX INCORPORATED AND SHOULD NOT BE USED WITHOUT WRITTEN PERMISSION				