

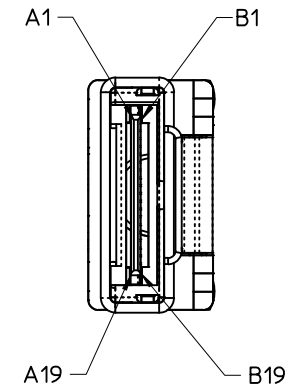
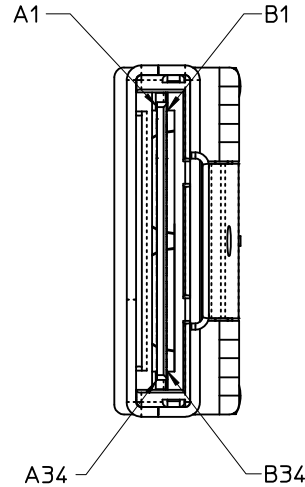
MOLEX P/N	LENGTH
1110514080	0.5M
1110514081	1M
1110514082	2M
1110514083	3M
1110514084	4M
1110514085	5M
1110514086	6M
1110514087	7M

- NOTES:
- MATERIAL -  
BACKSHELL - ZINC DIECAST  
PULL - NYLON
  - LENGTH - SEE TABLE
  - ELECTRICAL PERFORMANCE PER PCI EXPRESS EXTERNAL CABLING SPEC. REV 2.0 DRAFT 0.5
  - X8 PLUG MATES TO RECEPTACLE 75586-0002, AND EMI GUIDE HOUSING ASSY. 74540-0101
  - X4 PLUG MATES TO RECEPTACLE 75586-0010 AND EMI GUIDE HOUSING ASSY. 74540-0401.
  - THIS PRODUCT MEETS THE RESTRICTIONS OF HAZARDOUS SUBSTANCES IN ELECTRICAL AND ELECTRONIC EQUIPMENT (RoHS) DIRECTIVE (2002/95/EC).

IPASS™ IS A TRADEMARK OF MOLEX

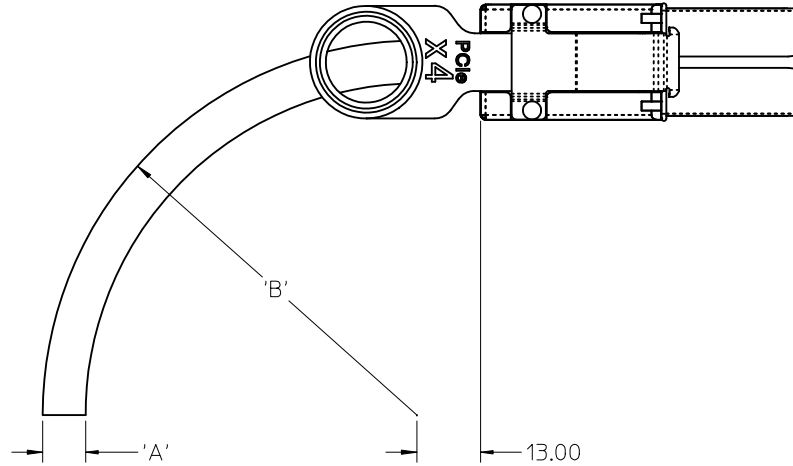
INITIAL RELEASE EC NO: USY2010-0641 DRWN: JERWIN 2010/01/06 CHKD: BSCHOESTER 2010/06/29 APPR: KJANOTA 2011/05/03	DESCRIPTION REV A	QUALITY SYMBOLS ▽=0 ▽=0	GENERAL TOLERANCES (UNLESS SPECIFIED) mm INCH 4 PLACES ± --- ± --- 3 PLACES ± --- ± --- 2 PLACES ± 0.13 ± --- 1 PLACE ± 0.25 ± --- ANGULAR ± 1/2°	DIMENSION STYLE MM ONLY DRAWN BY DATE JERWIN 2010/01/06 CHECKED BY DATE BSCHOESTER 2010/01/06 APPROVED BY DATE KJANOTA 2011/05/03 MATERIAL NO.	SCALE 1:1 DESIGN UNITS METRIC THIRD ANGLE PROJECTION	TITLE IPASS PCIE TRANSITION CABLE X4 - X8 GEN 2 MOLEX INCORPORATED DOCUMENT NO. SD-111051-4080 SHEET NO. 1 OF 3
		DRAFT WHERE APPLICABLE MUST REMAIN WITHIN DIMENSIONS	SEE TABLE	THIS DRAWING CONTAINS INFORMATION THAT IS PROPRIETARY TO MOLEX INCORPORATED AND SHOULD NOT BE USED WITHOUT WRITTEN PERMISSION		

P1	GND	A1		B1	GND	P2
	PETp0	A2	→	B2	PERp0	
	PETn0	A3	→	B3	PERn0	
	GND	A4	→	B4	GND	
	PETp1	A5	→	B5	PERp1	
	PETn1	A6	→	B6	PERn1	
	GND	A7	→	B7	GND	
	PETp2	A8	→	B8	PERp2	
	PETn2	A9	→	B9	PERn2	
	GND	A10	→	B10	GND	
	PETp3	A11	→	B11	PERp3	
	PETn3	A12	→	B12	PERn3	
	GND	A13	→	B13	GND	
	CREFLK+	A14	→	A14	CREFLK+	
	CREFLK-	A15	→	A15	CREFLK-	
	GND	A16	→	A16	GND	
	NC	A17				
	NC	A18				
	SB_RTN	A19		A17	SB_RTN	
	CPRSNT#	A20		A18	CPRSNT#	
	CPWRON	A21		A19	CPWRON	
GND	B1	←	A1	GND		
PERp0	B2	←	A2	PETp0		
PERn0	B3	←	A3	PETn0		
GND	B4	←	A4	GND		
PERp1	B5	←	A5	PETp1		
PERn1	B6	←	A6	PETn1		
GND	B7	←	A7	GND		
PERp2	B8	←	A8	PETp2		
PERn2	B9	←	A9	PETn2		
GND	B10	←	A10	GND		
PERp3	B11	←	A11	PETp3		
PERn3	B12	←	A12	PETn3		
GND	B13	←	A13	GND		
NC	B14		B14	NC		
NC	B15		B15	NC		
NC	B16		B16	NC		
NC	B17		B17	NC		
NC	B18					
NC	B19					
CWAKE#	B20		B18	CWAKE#		
CPERST#	B21		B19	CPERST#		



IPASS IS™ A TRADEMARK OF MOLEX

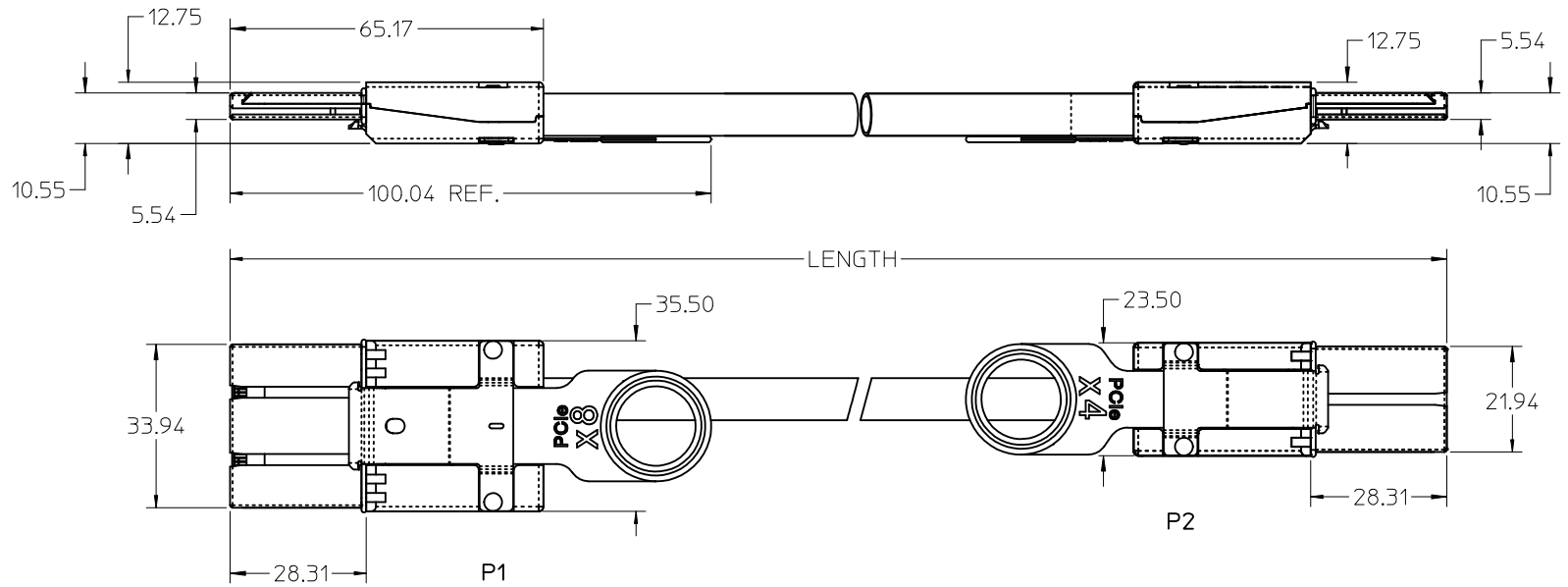
INITIAL RELEASE EC NO: USY2010-0641 DRWN: JERWIN 2010/01/06 CHKD: BSCHOESTER 2010/06/29 APPR: KJANOTA 2011/05/03 A	QUALITY SYMBOLS ▽=0 ▽=0	GENERAL TOLERANCES (UNLESS SPECIFIED)		DIMENSION STYLE MM ONLY		SCALE 1:1	DESIGN UNITS METRIC	THIRD ANGLE PROJECTION			
		4 PLACES ± --- ± ---	mm INCH	DRAWN BY JERWIN	DATE 2010/01/06	IPASS PCIE TRANSITION CABLE X4 - X8 GEN 2					
		3 PLACES ± --- ± ---	2 PLACES ± 0.13 ± ---	CHECKED BY BSCHOESTER	DATE 2010/01/06						
		1 PLACE ± 0.25 ± ---	ANGULAR ± 1/2°	APPROVED BY KJANOTA	DATE 2011/05/03	MOLEX INCORPORATED					
		DRAFT WHERE APPLICABLE MUST REMAIN WITHIN DIMENSIONS		MATERIAL NO. SEE CHART	DOCUMENT NO. SD-111051-4080	SHEET NO. 2 OF 3					
		SIZE B	THIS DRAWING CONTAINS INFORMATION THAT IS PROPRIETARY TO MOLEX INCORPORATED AND SHOULD NOT BE USED WITHOUT WRITTEN PERMISSION								



CABLE GAUGE	24	26	28
A. CABLE DIAMETER	10.4	9.3	8.4
B. MINIMUM OUTER RADIUS	46.9	41.7	37.7
C. FACEPLATE TO OUTER RADIUS	102.2	97.0	93.0

IPASS™ IS A TRADEMARK OF MOLEX

INITIAL RELEASE EC NO: USY2010-0641 DRWN: JERWIN 2010/01/06 CHKD: BSCHOESTER 2010/06/29 APPR: KJANOTA 2011/05/03	QUALITY SYMBOLS	GENERAL TOLERANCES (UNLESS SPECIFIED)	DIMENSION STYLE	SCALE	DESIGN UNITS	THIRD ANGLE PROJECTION	
	▼=0 ▽=0	mm INCH	MM ONLY	1:1	METRIC		
		4 PLACES ± --- ± ---	DRAWN BY DATE	TITLE			
		3 PLACES ± --- ± ---	JERWIN 2010/01/06	IPASS PCIE TRANSITION CABLE X4 - X8 GEN 2			
		2 PLACES ± 0.13 ± ---	CHECKED BY DATE	MOLEX INCORPORATED			
	1 PLACE ± 0.25 ± ---	BSCHOESTER 2010/01/06	MATERIAL NO. DOCUMENT NO. SHEET NO.				
	ANGULAR ± 1/2°	APPROVED BY DATE	SD-111051-4080 3 OF 3				
		KJANOTA 2011/05/03	THIS DRAWING CONTAINS INFORMATION THAT IS PROPRIETARY TO MOLEX INCORPORATED AND SHOULD NOT BE USED WITHOUT WRITTEN PERMISSION				
			SEE TABLE				
			DRAFT WHERE APPLICABLE MUST REMAIN WITHIN DIMENSIONS				



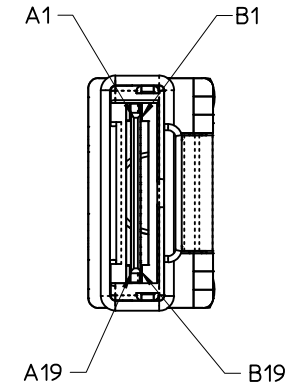
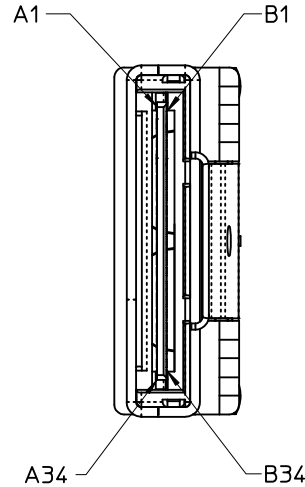
MOLEX P/N	LENGTH
1110514080	0.5M
1110514081	1M
1110514082	2M
1110514083	3M
1110514084	4M
1110514085	5M
1110514086	6M
1110514087	7M

- NOTES:
- MATERIAL - BACKSHELL - ZINC DIECAST  
PULL - NYLON
  - LENGTH - SEE TABLE
  - ELECTRICAL PERFORMANCE PER PCI EXPRESS EXTERNAL CABLING SPEC. REV 2.0 DRAFT 0.5
  - X8 PLUG MATES TO RECEPTACLE 75586-0002, AND EMI GUIDE HOUSING ASSY. 74540-0101
  - X4 PLUG MATES TO RECEPTACLE 75586-0010 AND EMI GUIDE HOUSING ASSY. 74540-0401.
  - THIS PRODUCT MEETS THE RESTRICTIONS OF HAZARDOUS SUBSTANCES IN ELECTRICAL AND ELECTRONIC EQUIPMENT (RoHS) DIRECTIVE (2002/95/EC).

IPASS™ IS A TRADEMARK OF MOLEX

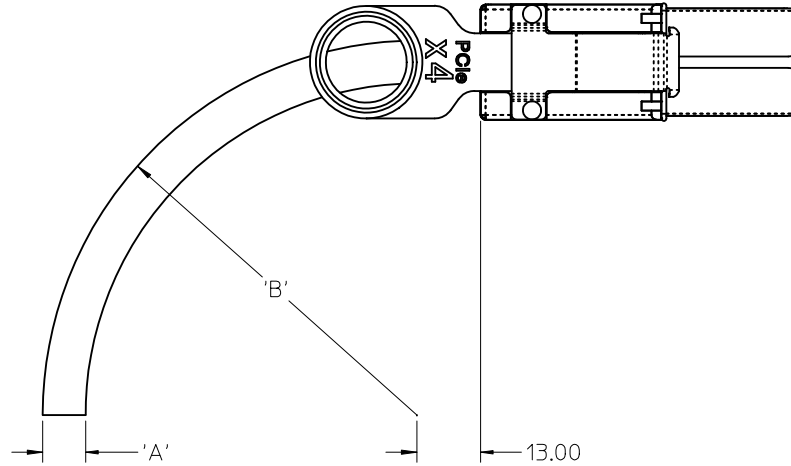
INITIAL RELEASE EC NO: USY2010-0641 DRWN: JERWIN 2010/01/06 CHKD: BSCHOESTER 2010/06/29 APPR: KJANOTA 2011/05/03	DESCRIPTION REV A	QUALITY SYMBOLS ▽=0 ▽=0	GENERAL TOLERANCES (UNLESS SPECIFIED) mm INCH 4 PLACES ± --- ± --- 3 PLACES ± --- ± --- 2 PLACES ± 0.13 ± --- 1 PLACE ± 0.25 ± --- ANGULAR ± 1/2°	DIMENSION STYLE MM ONLY DRAWN BY DATE JERWIN 2010/01/06 CHECKED BY DATE BSCHOESTER 2010/01/06 APPROVED BY DATE KJANOTA 2011/05/03 MATERIAL NO.	SCALE 1:1 DESIGN UNITS METRIC THIRD ANGLE PROJECTION	TITLE IPASS PCIE TRANSITION CABLE X4 - X8 GEN 2 MOLEX MOLEX INCORPORATED DOCUMENT NO. SD-111051-4080 SHEET NO. 1 OF 3
		DRAFT WHERE APPLICABLE MUST REMAIN WITHIN DIMENSIONS	SEE TABLE	THIS DRAWING CONTAINS INFORMATION THAT IS PROPRIETARY TO MOLEX INCORPORATED AND SHOULD NOT BE USED WITHOUT WRITTEN PERMISSION		

P1	GND	A1		B1	GND	P2
	PETp0	A2	→	B2	PERp0	
	PETn0	A3	→	B3	PERn0	
	GND	A4		B4	GND	
	PETp1	A5	→	B5	PERp1	
	PETn1	A6	→	B6	PERn1	
	GND	A7		B7	GND	
	PETp2	A8	→	B8	PERp2	
	PETn2	A9	→	B9	PERn2	
	GND	A10		B10	GND	
	PETp3	A11	→	B11	PERp3	
	PETn3	A12	→	B12	PERn3	
	GND	A13		B13	GND	
	CREFLK+	A14		A14	CREFLK+	
	CREFLK-	A15		A15	CREFLK-	
	GND	A16		A16	GND	
	NC	A17				
	NC	A18				
	SB_RTN	A19		A17	SB_RTN	
	CPRSNT#	A20		A18	CPRSNT#	
	CPWRON	A21		A19	CPWRON	
GND	B1	←	A1	GND		
PERp0	B2	←	A2	PETp0		
PERn0	B3	←	A3	PETn0		
GND	B4		A4	GND		
PERp1	B5	←	A5	PETp1		
PERn1	B6	←	A6	PETn1		
GND	B7		A7	GND		
PERp2	B8	←	A8	PETp2		
PERn2	B9	←	A9	PETn2		
GND	B10		A10	GND		
PERp3	B11	←	A11	PETp3		
PERn3	B12	←	A12	PETn3		
GND	B13		A13	GND		
NC	B14		B14	NC		
NC	B15		B15	NC		
NC	B16		B16	NC		
NC	B17		B17	NC		
NC	B18					
NC	B19					
CWAKE#	B20		B18	CWAKE#		
CPERST#	B21		B19	CPERST#		



IPASS IS™ A TRADEMARK OF MOLEX

INITIAL RELEASE EC NO: USY2010-0641 DRAWN: JERWIN 2010/01/06 CHKD: BSCHOESTER 2010/06/29 APPR: KJANOTA 2011/05/03 A	QUALITY SYMBOLS ▽=0 ▽=0	GENERAL TOLERANCES (UNLESS SPECIFIED) mm INCH 4 PLACES ± --- ± --- 3 PLACES ± --- ± --- 2 PLACES ± 0.13 ± --- 1 PLACE ± 0.25 ± --- ANGULAR ± 1/2°	DIMENSION STYLE MM ONLY DRAWN BY DATE JERWIN 2010/01/06 CHECKED BY DATE BSCHOESTER 2010/01/06 APPROVED BY DATE KJANOTA 2011/05/03	SCALE 1:1 DESIGN UNITS METRIC THIRD ANGLE PROJECTION	TITLE IPASS PCIE TRANSITION CABLE X4 - X8 GEN 2 MOLEX INCORPORATED DOCUMENT NO. SD-111051-4080 SHEET NO. 2 OF 3	
	DRAFT WHERE APPLICABLE MUST REMAIN WITHIN DIMENSIONS		SEE CHART	THIS DRAWING CONTAINS INFORMATION THAT IS PROPRIETARY TO MOLEX INCORPORATED AND SHOULD NOT BE USED WITHOUT WRITTEN PERMISSION		
	SIZE B					



CABLE GAUGE	24	26	28
A. CABLE DIAMETER	10.4	9.3	8.4
B. MINIMUM OUTER RADIUS	46.9	41.7	37.7
C. FACEPLATE TO OUTER RADIUS	102.2	97.0	93.0

IPASS™ IS A TRADEMARK OF MOLEX

INITIAL RELEASE EC NO: USY2010-0641 DRWN: JERWIN 2010/01/06 CHKD: BSCHOESTER 2010/06/29 APPR: KJANOTA 2011/05/03	QUALITY SYMBOLS	GENERAL TOLERANCES (UNLESS SPECIFIED)	DIMENSION STYLE	SCALE	DESIGN UNITS	THIRD ANGLE PROJECTION	
	▼=0 ▽=0	mm INCH	MM ONLY	1:1	METRIC		
		4 PLACES ± --- ± ---	DRAWN BY DATE	TITLE IPASS PCIE TRANSITION CABLE X4 - X8 GEN 2			
		3 PLACES ± --- ± ---	JERWIN 2010/01/06				
	2 PLACES ± 0.13 ± ---	CHECKED BY DATE	MOLEX INCORPORATED				
	1 PLACE ± 0.25 ± ---	BSCHOESTER 2010/01/06					
	ANGULAR ± 1/2°	APPROVED BY DATE	DOCUMENT NO. SHEET NO. SD-111051-4080 3 OF 3				
		KJANOTA 2011/05/03					
		MATERIAL NO.	THIS DRAWING CONTAINS INFORMATION THAT IS PROPRIETARY TO MOLEX INCORPORATED AND SHOULD NOT BE USED WITHOUT WRITTEN PERMISSION				
		DRAFT WHERE APPLICABLE MUST REMAIN WITHIN DIMENSIONS					