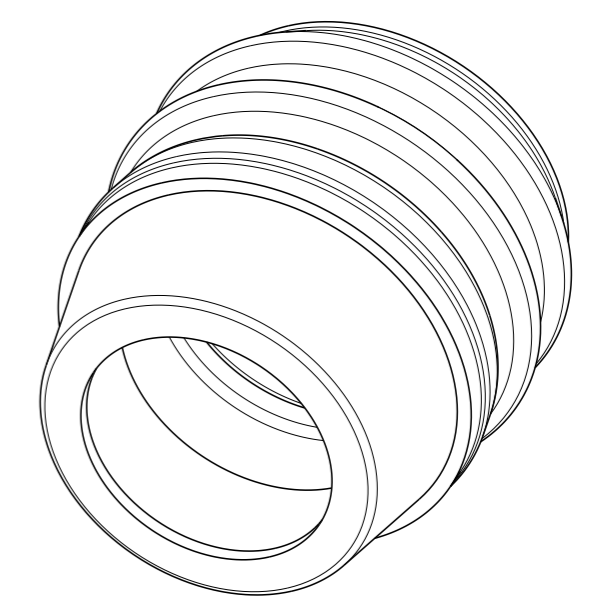
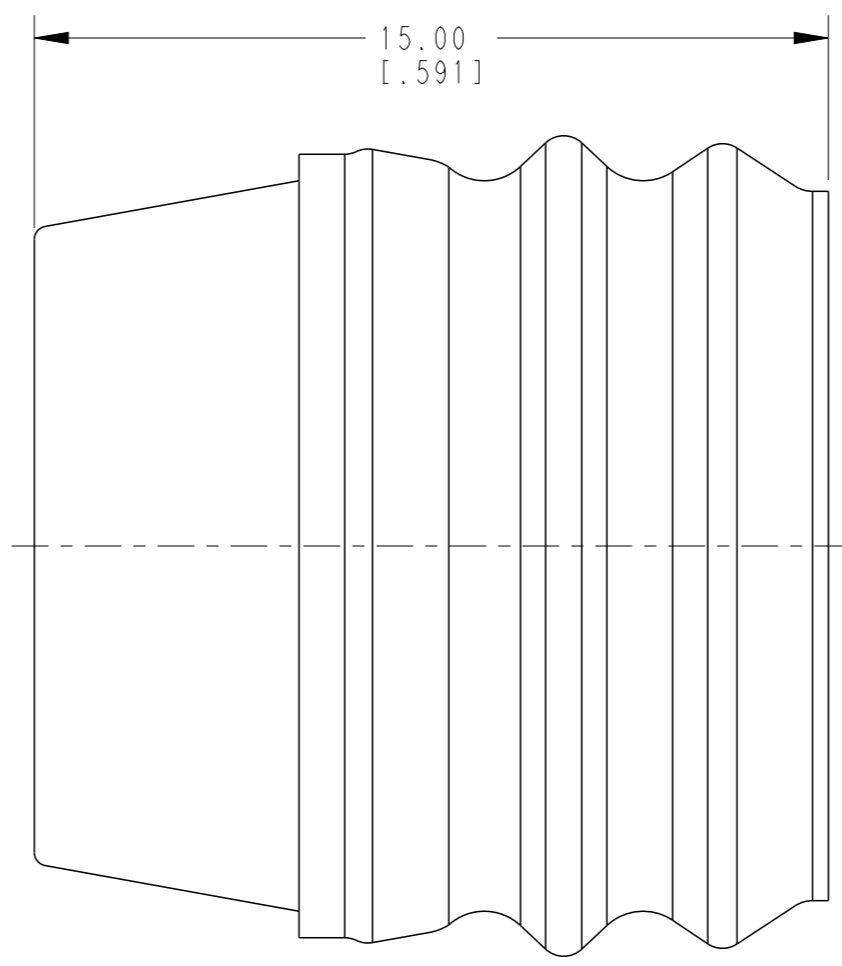
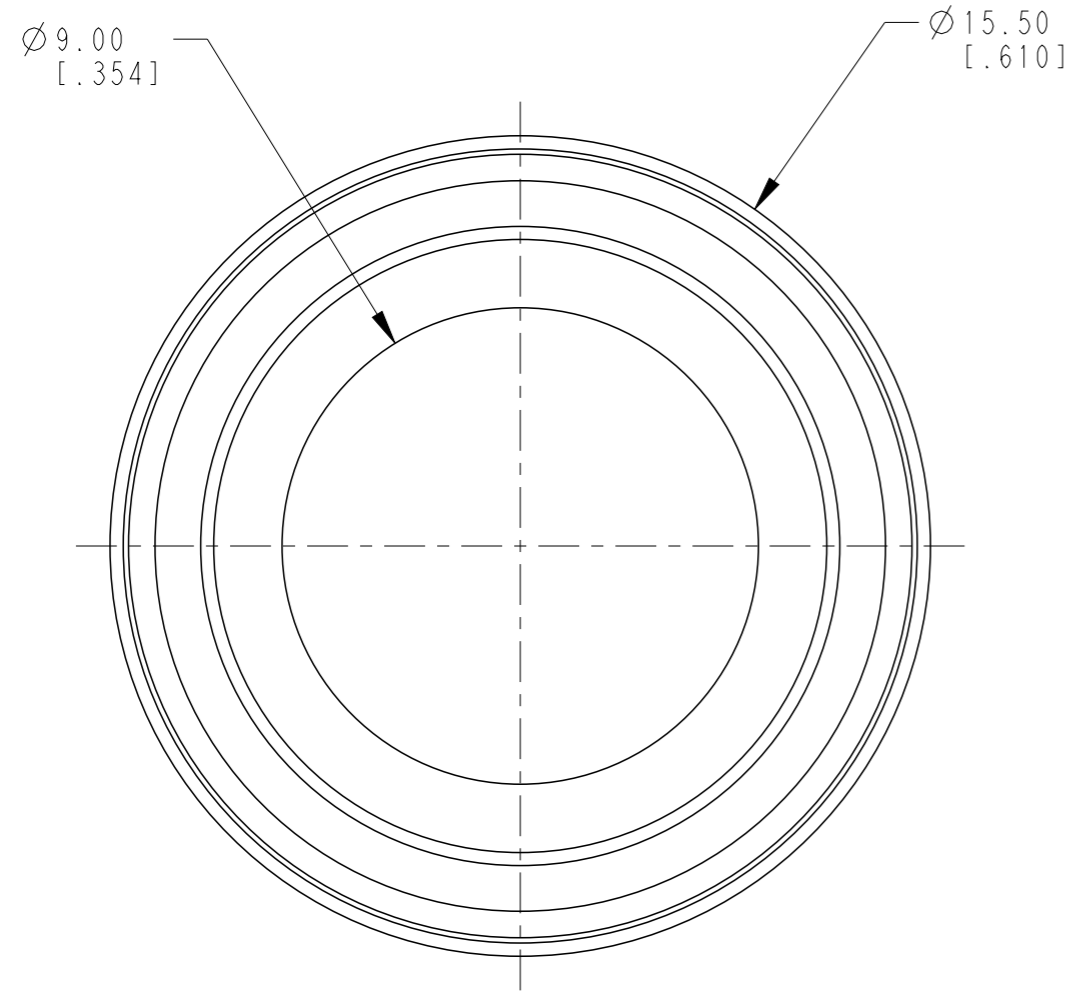


THIS DRAWING IS UNPUBLISHED
 RELEASED FOR PUBLICATION 2015
 © COPYRIGHT 2015 BY TE CONNECTIVITY ALL RIGHTS RESERVED.

LOC	DIST	REVISIONS			
P	LTR	DESCRIPTION	DATE	DWN	APVD
	1	NEW DEVELOPMENTAL RELEASE	12JAN2015	JA	DM
	2	REVISED PER ECO-15-004372	19MAR2019	JA	DM
	A	PRODUCTION RELEASE PER ECO-15-014220	01OCT2015	JA	DM
	A1	REVISED PER PCN :E-18-011823	23JUL2018	DD	DM



SCALE 4:1

TE INTERNAL PN	DEUTSCH PN	WIRE SEALING RANGE
2289243-1	WS-35-001	10.59-11.59 [.417-.456]

2 MATERIAL: SILICONE (VMQ), COLOR: GREEN.
 1. PART IS USED ON RECEPTACLE DTSK04-1-08PX AND PLUG DTSK06-1-08SX. (X = A,B,C KEYS)

NOTES: UNLESS OTHERWISE SPECIFIED

THIS DRAWING IS A CONTROLLED DOCUMENT.		DWN 12JAN2015 JAIME C. APOSTOL	STE TE Connectivity		
DIMENSIONS: mm [INCHES]		CHK 12JAN2015 DENNIS WHITACRE			
TOLERANCES UNLESS OTHERWISE SPECIFIED:		APVD 12JAN2015 DAVID MEYER	NAME WIRE SEAL, 35mm ² SEAL RANGE - 10.59mm-11.59mm Ø8mm CONTACT		
0 PLC ± 1 PLC ± 2 PLC ±0.64 [.025] 3 PLC ± 4 PLC ± ANGLES ±		PRODUCT SPEC 108-151027	SIZE A3	CAGE CODE 4AFU8	DRAWING NO WS-35-001
MATERIAL 2		FINISH	APPLIC. SPEC 114-151028	RESTRICTED TO	-
		WEIGHT 1.26g	Customer Drawing	SCALE 7:1	SHEET 1 OF 1
				REV A1	