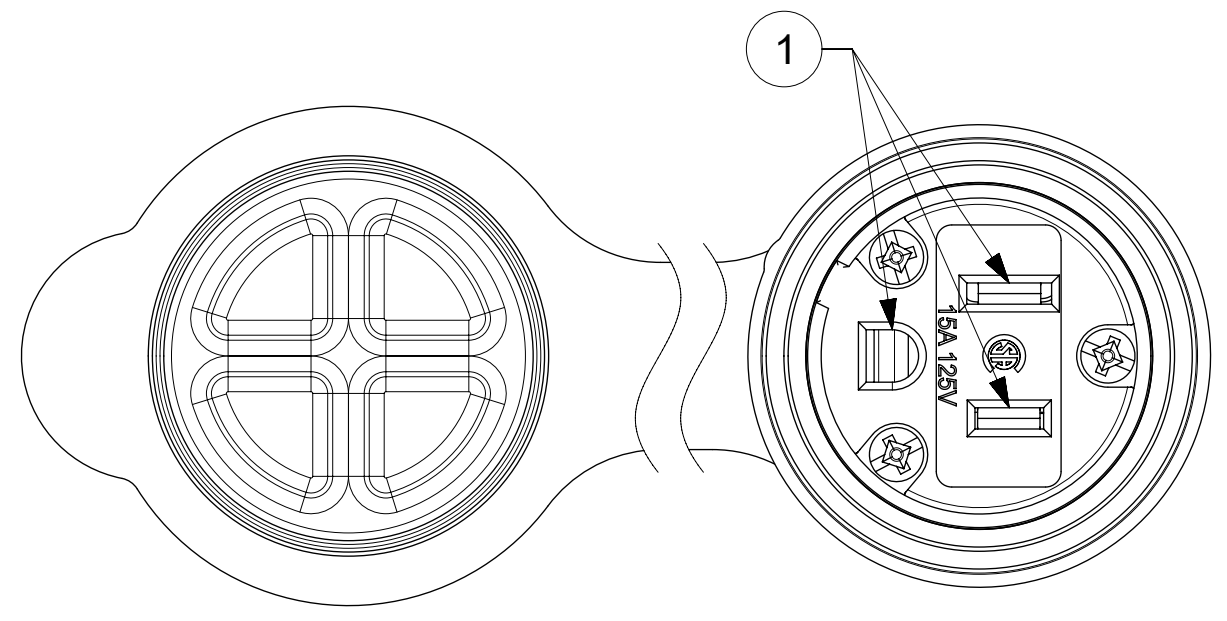
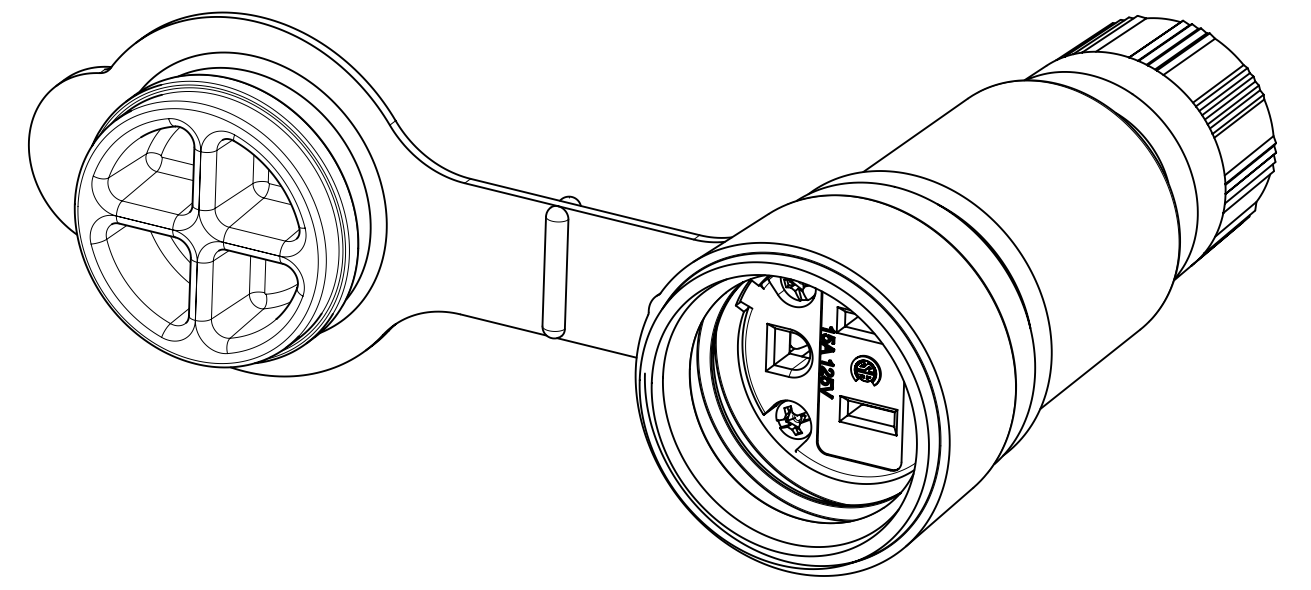
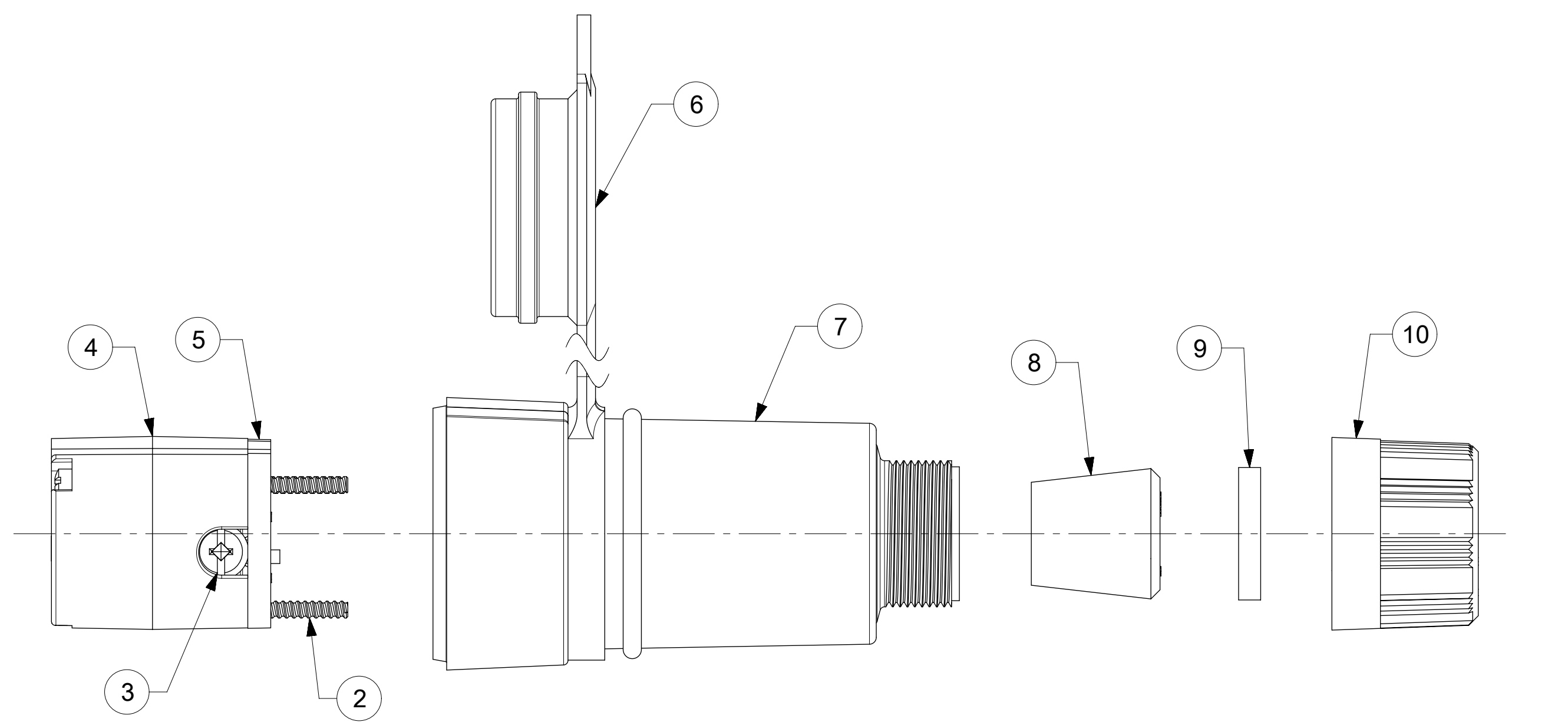
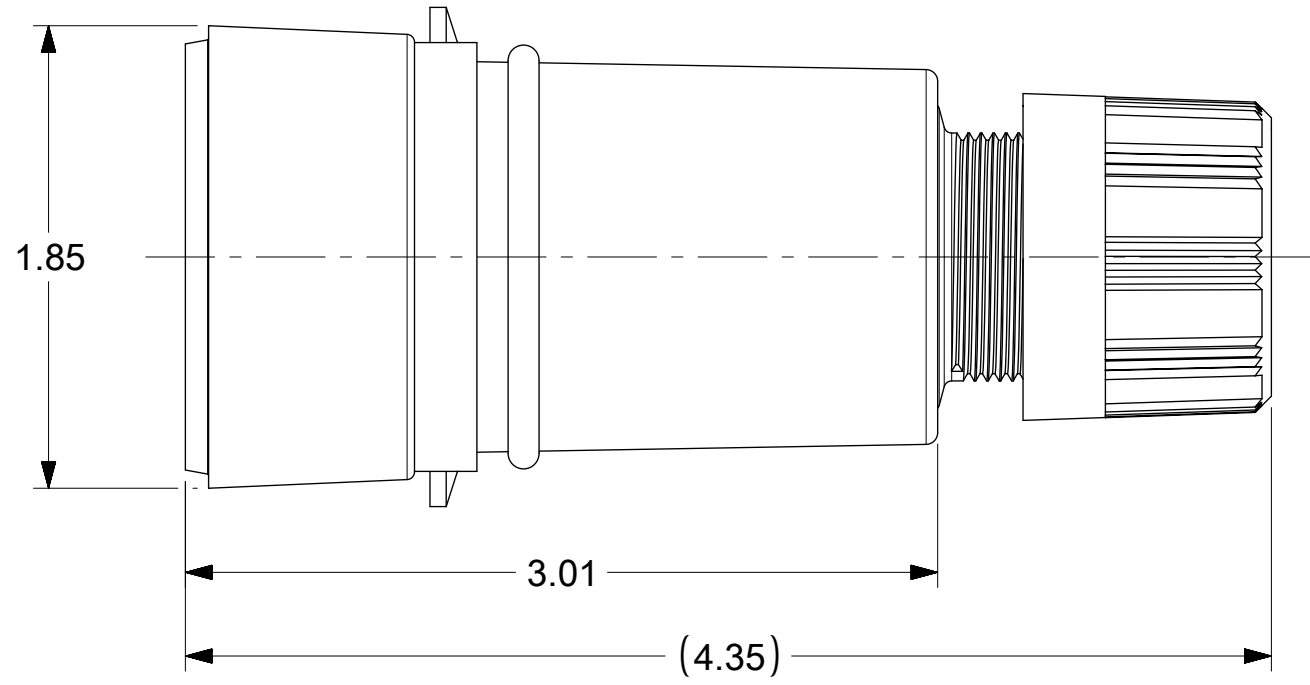


ORDER NO.	WOODHEAD NO.	COLOR
130146-0197	15W47-P	YELLOW
130146-0198	15W47BLK-P	BLACK



FACE VIEW



ITEM NO.	DESCRIPTIONS	MATERIAL	QTY.
1	BLADES	BRASS	3
2	RETAINING SCREWS	STAINLESS STEEL	3
3	TERMINAL SCREWS	BRASS, ZINC PLATED	3
4	INSERT	NYLON	1
5	TERMINAL COVER	POLYCARBONATE	1
6	FLIP COVER	SILICON	1
7	HOUSING	RUBBER WITH NYLON THREAD	1
8	GROMMETS	RUBBER	5
9	FRICTION RING	NYLON	1
10	COMPRESSION NUT	NYLON	1

NOTES:
 1. SEE INSTRUCTION SHEET NUMBER 1301414770 FOR PRODUCT SPECIFICATION.
 2. CABLE RANGE FROM 0.375" TO 0.625"

SYMBOLS		THIS DRAWING CONTAINS INFORMATION THAT IS PROPRIETARY TO MOLEX ELECTRONIC TECHNOLOGIES, LLC AND SHOULD NOT BE USED WITHOUT WRITTEN PERMISSION		CURRENT REV DESC: RELEASED	
▽ = 0	DIMENSION UNITS	SCALE	INCH NTS		
▽ = 0	GENERAL TOLERANCES (UNLESS SPECIFIED)		EC NO: 613681		
▽ = 0	ANGULAR TOL	± 0.5°	DRWN: ABABU01	2018/11/13	WATERTITE CONNECTOR, 5-15R
▽ = 0	4 PLACES	±	CHK'D: DNGUYEN62	2019/03/13	
▽ = 0	3 PLACES	± 0.005	APPR: HKNEELAND	2019/03/21	PRODUCT CUSTOMER DRAWING
▽ = 0	2 PLACES	± 0.01	INITIAL REVISION:		DOCUMENT NUMBER
▽ = 0	1 PLACE	± 0.02	DRWN: ABABU01	2018/11/13	1301460197
▽ = 0	0 PLACES	±	APPR: HKNEELAND	2019/03/21	DOC TYPE DOC PART REVISION
▽ = 0	DRAFT WHERE APPLICABLE MUST REMAIN WITHIN DIMENSIONS		THIRD ANGLE PROJECTION	DRAWING	SERIES
▽ = 0			SEE TABLE	C-SIZE	130146
		MATERIAL NUMBER		CUSTOMER	SHEET NUMBER
		SEE TABLE		GENERAL MARKET	1 OF 1