


CONFIDENTIAL. THE INFORMATION CONTAINED IN THIS DOCUMENT IS THE PROPERTY OF COOPER INDUSTRIES, INC. IT IS NOT FOR PUBLIC DISCLOSURE. POSSESSION OF THE INFORMATION DOES NOT CONVEY ANY RIGHT TO LOAN, SELL OR DISCLOSE THE INFORMATION. UNAUTHORIZED REPRODUCTION OR USE OF THE INFORMATION IS PROHIBITED. THIS DOCUMENT IS TO BE RETURNED TO COOPER INDUSTRIES, INC. UPON COMPLETION OF THE PURPOSE FOR WHICH IT IS LOANED OR UPON REQUEST.

COPYRIGHT Cooper Industries, Inc.  
This is an unpublished work. The disclosure of this work is limited to select personnel. Further dissemination or disclosure to the public is PROHIBITED. This unpublished work is protected by Federal Copyright law and all rights thereunder are reserved by Cooper Industries, Inc.

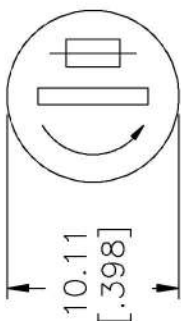
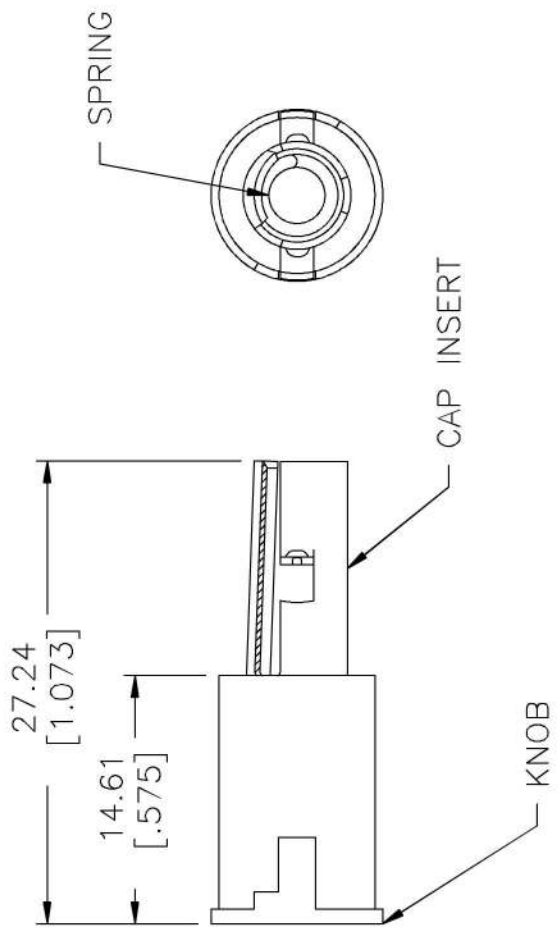
SCALE	UNLESS OTHERWISE SPECIFIED TOLERANCES TO BE:
2x	METRIC ±.13mm
	DECIMAL ±.005"
	ANGULAR ±2°
▲ (O) INDICATES CRITICAL DIMENSION OR FEATURE	
PAGE 1	

DATE	NO.	
9-8-03	80910310	
TITLE		
FUSE CARRIER		
SUP. NO.	DATED	
80910310 B	4-10-02	
DWG.	CK.	CHANGE
BAM		C
ENG.		N03125
		
St. Louis, MO 63178		
DISTRIBUTION	56	J
53767		

CUSTOMER PRINT

METRIC(mm)  
INCHES

© REVISED & REDRAWN



FOR: HTB-XXM