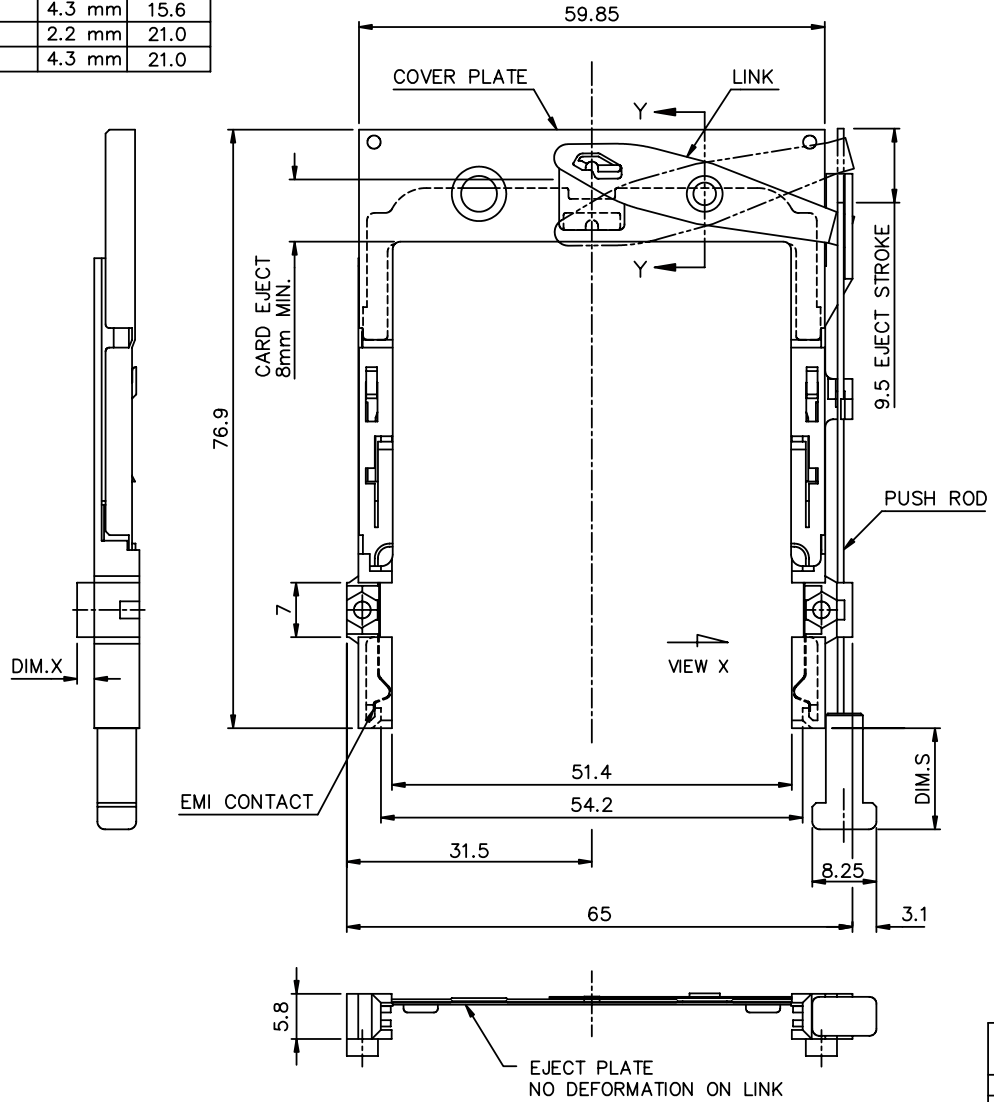


Tous droits strictement réservés. Reproduction ou communication à des tiers int  
 sous quelque forme que ce soit, sans autorisation écrite du propriétaire.  
 Property of c BERG ELECTRONICS.  
 Droits de reproduction BERG ELECTRONICS by

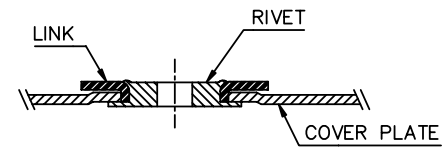
All rights strictly reserved. Reproduction or issue to third parties in any for  
 without written authority from the proprietor.  
 Property of c BERG ELECTRONICS.  
 Copyright BERG ELECTRONICS by

PRODUCT NUMBER	DIM. X	DIM. S
91113-02CA	2.2 mm	13.0
91113-04CA	4.3 mm	13.0
91113-02DA	2.2 mm	15.6
91113-04DA	4.3 mm	15.6
91113-02FA	2.2 mm	21.0
91113-04FA	4.3 mm	21.0



PRESS FIT EMI CLIP INTO GUIDE SLOTS.

VIEW X



SEC. Y-Y

NOTE:

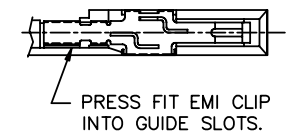
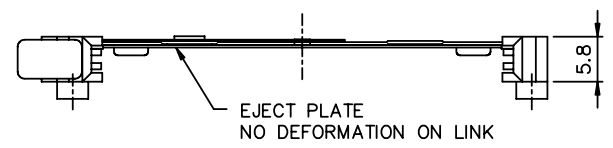
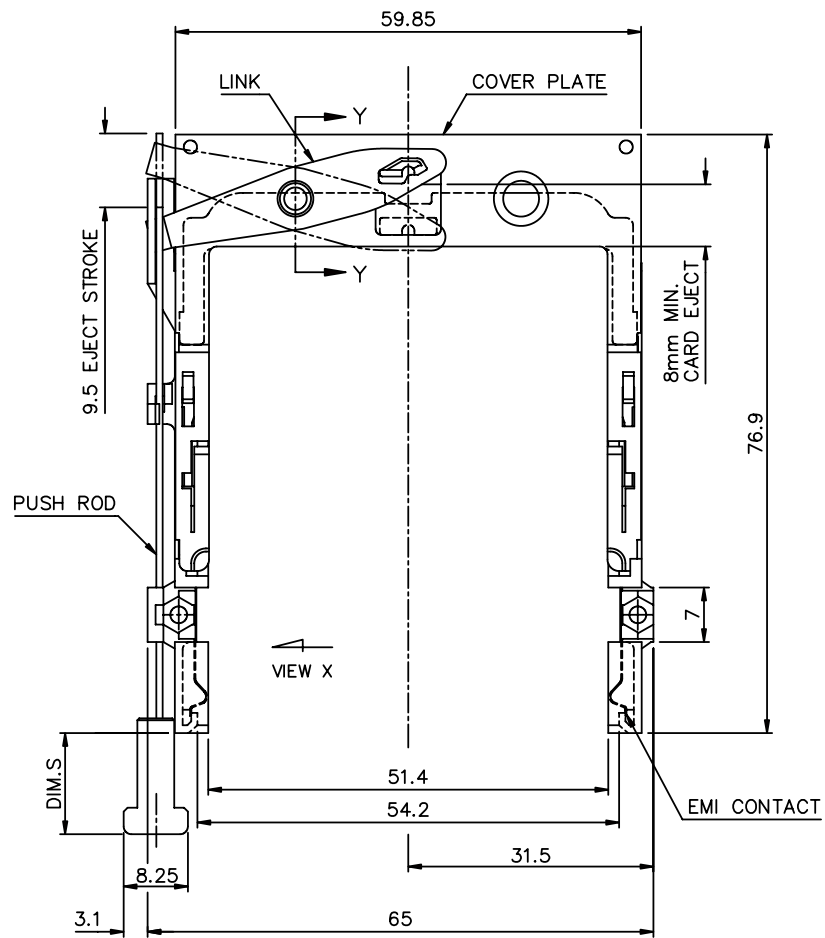
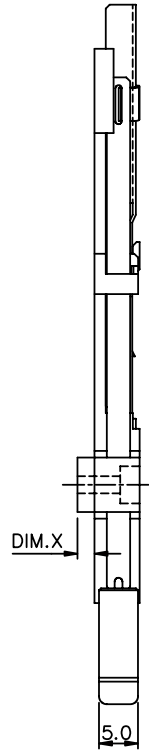
- EJECT PLATE TO MOVE ALONG INSIDE WALL OF COVER PLATE SMOOTHLY AFTER ASSEMBLING WITH HEADER.
- MATERIAL :  
 PLASTIC GUIDES : POLYPHTHARAMIDE UL94V-0 BLACK  
 COVER PLATE : STAINLESS STEEL  
 EMI CONTACT : PHOSPHOR BRONZE
- FINISH :  
 EMI CONTACT CONTACT AREA 0.5 mm Au.  
 UNDERPLATING 1.0 mm Ni.

mat'l code		tolerance unless otherwise specified		CUSTOMER COPY		FCI		www.fclconnect.com	
rev.	ecn no.	dr	date	linear	±0.30	projection	title		
A	T50094	W L	04/06/95				NARROW BODY FRONT EJECT		
B	T20234	W L	07/25/02	angles	± 2°		TYPE 1/2/3 MECHANISM ASS'Y		
C	N06-0034	M Z	02/13/06				product family	PCMCIA	code
				dr	WENDY CHEN	02/13/95	unit		
				engr	JOSEPH HSIA	02/13/95	mm/inch		
				chr	JOSEPH HSIA	02/13/95	scale	1.5:1	A3
				appd	D K WANG	02/13/95			
sheet	revision	C	C						
index	sheet	1	2						
									sheet 1 of 2

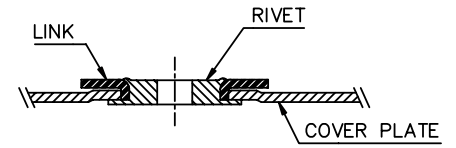
Tous droits strictement réservés. Reproduction ou communication à des tiers sans autorisation écrite du propriétaire. Property of BERG ELECTRONICS. Copyright BERG ELECTRONICS by

All rights strictly reserved. Reproduction or issue to third parties in any form without written authority from the proprietor. Property of BERG ELECTRONICS. Copyright BERG ELECTRONICS by

PRODUCT NUMBER	DIM. X	DIM. S
91113-12CA	2.2 mm	13.0
91113-12CALF	2.2 mm	13.0
91113-14CA	4.3 mm	13.0
91113-12DA	2.2 mm	15.6
91113-14DA	4.3 mm	15.6
91113-12FA	2.2 mm	21.0
91113-14FA	4.3 mm	21.0



VIEW X



SEC.Y-Y

NOTE:

- EJECT PLATE TO MOVE ALONG INSIDE WALL OF COVER PLATE SMOOTHLY AFTER ASSEMBLING WITH HEADER.
- MATERIAL :  
 PLASTIC GUIDES : POLYPHTHARAMIDE UL94V-0 BLACK  
 COVER PLATE : STAINLESS STEEL  
 EMI CONTACT : PHOSPHOR BRONZE
- FINISH :  
 EMI CONTACT  
 CONTACT AREA 0.5 mm Au.  
 UNDERPLATING 1.0 mm Ni.

mat'l code		tolerance unless otherwise specified		CUSTOMER COPY	 www.fclconnect.com		
rev.	ecn no.	dr	date	linear		±0.30	
C				angles	± 2°		
				dr WENDY CHEN	02/13/95	unit	title NARROW BODY FRONT EJECT TYPE 1/2/3 MECHANISM ASS'Y product family PCMCIA code size dwg no. 91113 sheet 2 of
				enfr JOSEPH HSIA	02/13/95	mm/inch	
				chr JOSEPH HSIA	02/13/95	scale	
				appd D K WANG	02/13/95	1.5:1	
sheet	revision						
index	sheet						