

⚡ (f)N_pr Lsk`cp8 J @4000+0. B J V?+@

⚡ (f)Qpsarspc8 Rfc J CB jgef r `p knsl rcb J CB bgac &`_pc afgn' nh qs`qrp_rc `w_pp_w
Ⓞ0qcp_g_j On_p_jj_cj OanjnpⓄ

⚡ (f)?nnj_ga_rgnh8 J gef r gl e qns pac

⚡ (f)K_vgksk Anh bgr gnh Ⓞ | ■ ⚡ ⚡ ⚡ Ⓞ

Grck	Qk`nj	Anh bgr gnh	Sl gr
?bkgqag`gj grw bgagn_rgnh ⚡ /	Nm	0,66	⚡
Dnpu_pb Asppcl r ⚡ /	G _b	.,2	⚡
Mncp_rgnh Rckncp_rspc	R _{nm}	+1. Ⓞ) 63	⚡
Npcqcp_t_rgnh Rckncp_rspc	R _{qre}	+2. Ⓞ) / ..	⚡
Hsl argnh Rckncp_rspc	Rh	/03	⚡

⚡ / (h)nh c anjnpⓄ B943..I - J905..I Ⓞ

⚡ (f)Cj carpga_j _l b nmrga_j Af_p_arcpqrgaq Ⓞ | ■ ⚡ ⚡ ⚡ Ⓞ

Grck	Qk`nj	Kgl ,	Rwn,	K_v,	Sl gr	Anh bgr gnh
Dnpu_pb Tnjr_ec ⚡ 0	_D	3,1	3,6	4,1	T	G _b /3. k?
Jskgl nsq Djsv &B' ⚡ 1	≠ _t	//2,7	//6,3	+	jk	G _b /3. k?
Jskgl nsq Djsv &J' ⚡ 1	≠ _t	76,1	/.,2	+	jk	G _b /3. k?
Anjnp Rckncp_rspcⓄBⓄ	R _{an}	4.03	42.4	4565	I	G _b /3. k?
Anjnp Rckncp_rspcⓄJⓄ	R _{an}	04/1	0517	0643	I	G _b /3. k?
Bctg_rgnh AnjnpⓄBⓄ	bst)...7)...26)...64	+	G _b /3. k?
Bctg_rgnh AnjnpⓄJⓄ	bst	+,...12)...2)...2/	+	G _b /3. k?
Ecl cp_j Anjnp Pcl bcpgl e G bcv	■ -	53	6.	+	+	G _b /3. k?

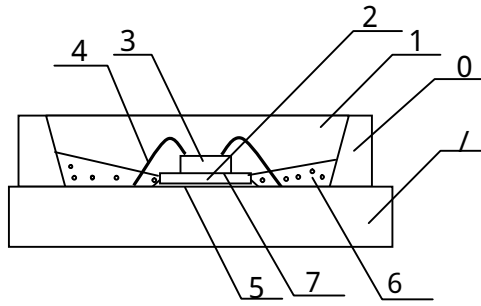
⚡ / (h)kc_qspckcl r r nj cp_l ac(h) | 1 |

⚡ 0(h)kc_qspckcl r r nj cp_l ac(h) | 5 |

⚡ Rfcqc b_r_ _pc kc_qspcb `w_ kc_qspgl e cosgnkcl r anknj vgl e ugrf AGC/03 Anh bgr gnh Ⓞ

BCQ&L	AFCAI	?NNPMT?J	DATE: 2012/9/6	SPECIFICATION No.: R_pecr QNCA
			REV. A	ROHM Co.,Ltd.

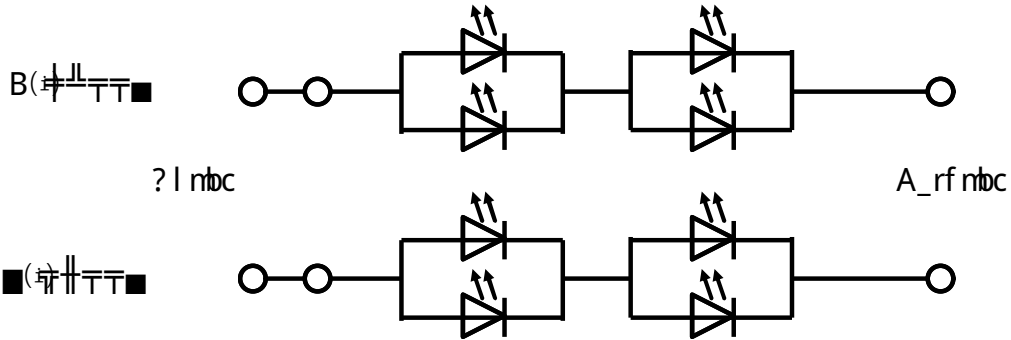
‡ , Qpsarspc



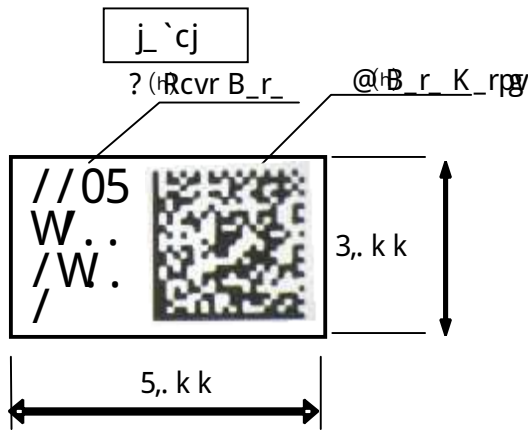
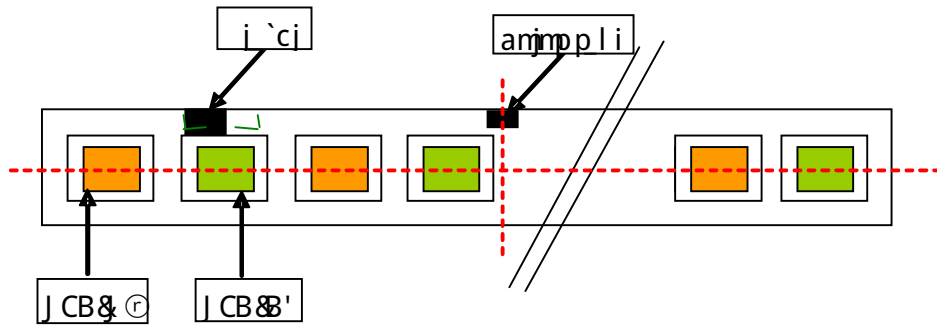
Lm	N_prq L_kc	K_rcpg_j
/	Qs`qrp_rc	ACK+1 Qs`qrp_rc
0	Ufgrc Pcqgl	Qj gamh c Pcqgl
1	Pcqgl	Qj gamh c Pcqgl
2	Qs`Knslr Qs`qrp_rc	Qg
3	J CB Bgc	Gl E_L mh Q nnf gpc
4	@mh bgl e Ugpc	?s
5	Bgc @mh b	?e
6	Ufgrc Pcqgl	Qj gamh c Pcqgl ⊕ RgM ⊕
7	Bgc @mh b	Qj gamh c Pcqgl

‡ (f) Agpasgr Bg_ep_k

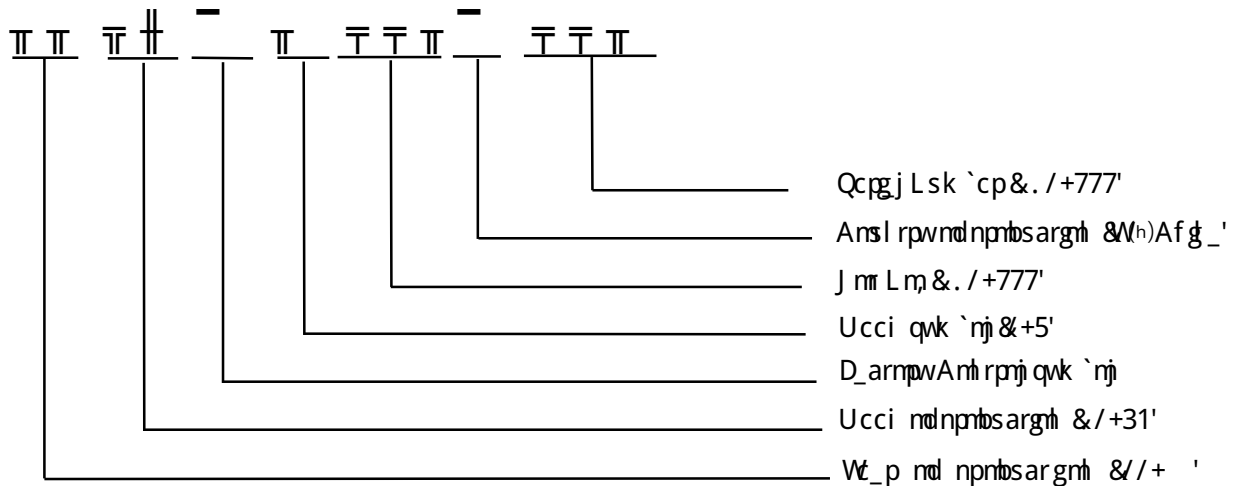
0 qcpj 0 n_p_jj cj



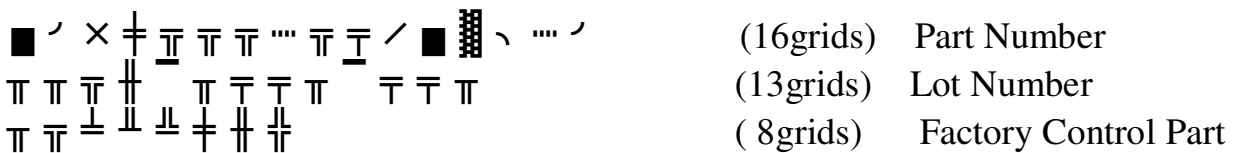
T T , Npmsar J _ `cj



[A] Text Data



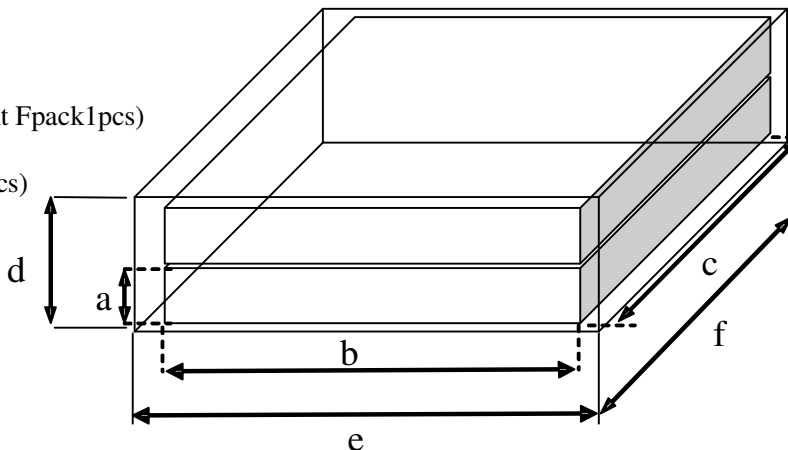
[B] Data Matrix



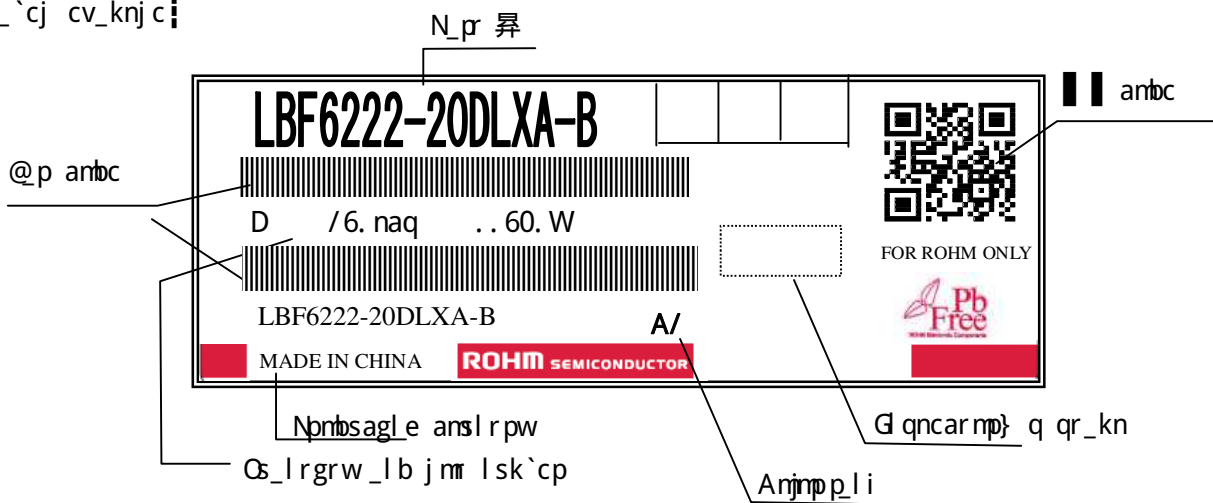
π τ (f) N_{ai} gl e

|| N_{ai} _ ec ||

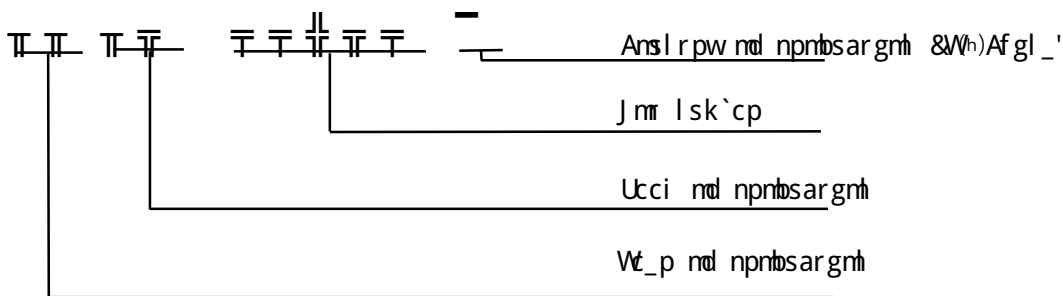
- (1) 18 Bars are on one film tray.
- (2) Inner package size (Fpack10pcs+vacant Fpack1pcs)
(a)60 x (b)300 x (c)343 (Unit: mm)
- (3) Outer package size(inner package || 2pcs)
(d)155 x (e)313 x (f)353 (Unit: mm)



|| J _ `cj cv_knj c ||



|| J m r l sk`cp cv_knj c ||



|| K_l sd_arspgl e d_armpw &ans l rpw n_{al} mpgegl' ||

(g) PMFK QCKGAMLBSARMP AFGL? AM *J RB, (h) Af gl _ (i)