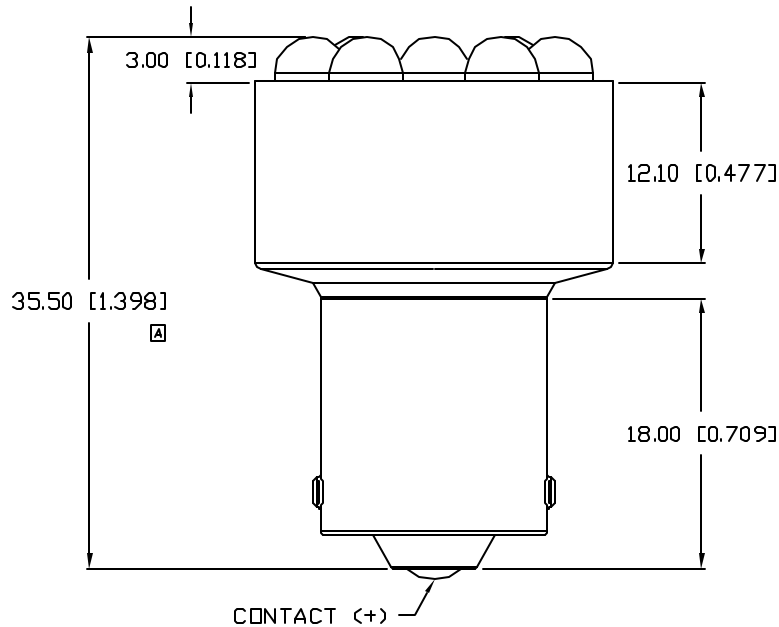
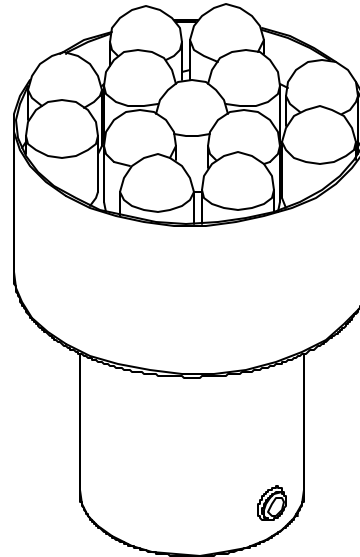
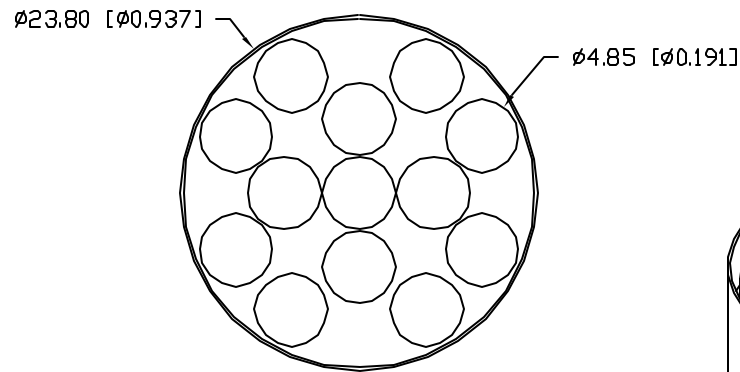


UNCONTROLLED DOCUMENT

PART NUMBER
SSP-13MB152UP12G

REV.
B

| REV. | E.C.N. NUMBER AND REVISION COMMENTS | DATE |
|------|-------------------------------------|----------|
| A | E.C.N. #10950. | 1.28.03 |
| B | E.C.N. #11148 | 11.30.06 |



▲ ELECTRO-OPTICAL CHARACTERISTICS $T_A=25^{\circ}\text{C}$ $V_f=12\text{V}$


| PARAMETER | MIN | TYP | MAX | UNITS | TEST COND |
|--------------------|-------------|-------|-----|----------|----------------------|
| PEAK WAVELENGTH | | 525 | | nm | |
| FORWARD VOLTAGE | | 12.0 | | V_f | |
| REVERSE VOLTAGE | 5.0 | | | V_r | $I_r=100\mu\text{A}$ |
| AXIAL INTENSITY | | 99100 | | mcd | $V_f=12\text{V}$ |
| VIEWING ANGLE | | 30 | | 2x theta | |
| EMITTED COLOR: | GREEN | | | | |
| EPOXY LENS FINISH: | WATER CLEAR | | | | |

LIMITS OF SAFE OPERATION AT 25°C

| PARAMETER | MAX | UNITS |
|--------------------------|------------|-------|
| PEAK FORWARD VOLTAGE | 14.0 | V |
| STEADY CURRENT | 90 | mA |
| POWER DISSIPATION | 1,260 | mW |
| DERATE FROM 25°C | -1.2 | mW/°C |
| OPERATING, STORAGE TEMP. | -40 TO +85 | °C |



*UNLESS OTHERWISE SPECIFIED TOLERANCES PER DECIMAL PRECISION ARE: X=±1 (±0.039), X.X=±0.5 (±0.020), X.XX=±0.25 (±0.010), X.XXX=±0.127 (±0.005), LEAD SIZE=±0.05 (±0.002), LEAD LENGTH=±0.75 (±0.030), MIN.=+DECIMAL PRECISION MAX.=+0.00 -DECIMAL PRECISION

| | | | | | |
|---|---------------------------------|---|---|---|--------------|
| REV. B | PART NUMBER SSP-13MB152UP12G | CONFIDENTIAL INFORMATION THE INFORMATION CONTAINED IN THIS DOCUMENT IS THE PROPERTY OF SUNBRITE LEDS. EXCEPT AS SPECIFICALLY AUTHORIZED IN WRITING BY SUNBRITE LEDS, THE HOLDER OF THIS DOCUMENT SHALL KEEP ALL INFORMATION CONTAINED HEREIN CONFIDENTIAL AND SHALL PROTECT SAME IN WHOLE OR IN PART FROM DISCLOSURE AND DISSEMINATION TO ALL THIRD PARTIES. |  | 286 E. HELEN ROAD PALATINE, IL 60067-6976 PHONE: +1.847.359.2790 FAX: +1.847.359.2867 WEB: www.sunbriteleds.com | |
| 0.94" CIRCULAR, 13 GREEN LAMP POLYLED, BA15 BASE, SINGLE CONTACT AUTO BAYONET. | | RELIABILITY NOTE DUR MANY YEARS OF EXPERIENCE DATA ACCUMULATION INDICATE THAT SOLDER HEAT IS A MAJOR CAUSE OF EARLY AND FUTURE FAILURE. PLEASE PAY ATTENTION TO YOUR SOLDERING PROCESS. | | DRAWN: JC | CHECKED: |
| | | | | DATE: 11.30.06 | PAGE: 1 OF 1 |