

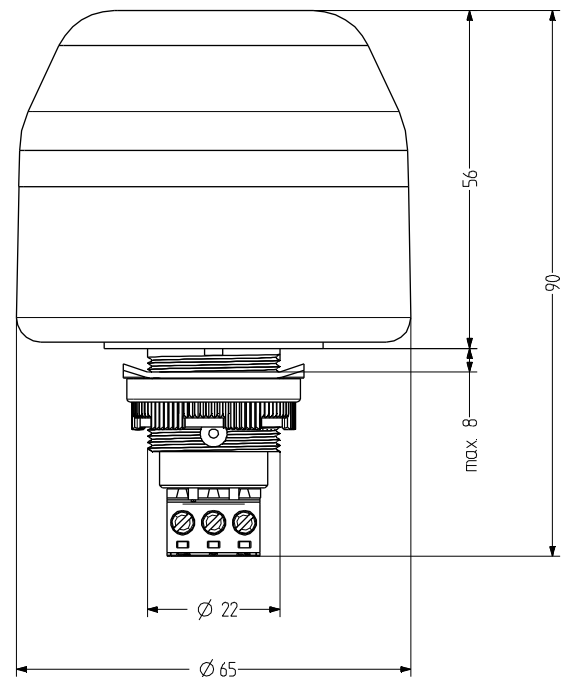
## IDL M22 panel mount LED multi colour beacon

- Ø 65 mm panel-mount LED multi-colour steady beacon
- RED or GREEN, can be switched externally
- Good signalling effect
- High degree of protection IP 65
- User-friendly connection technology
- Prewired model versions with IP 67 on request
- Modern LED technology and electronics
- Other colour combinations available on request
- For industrial and general applications
- Panel size Ø 22.5 mm/M22
- Adapter available for M30.5 mm panel size



### TECHNICAL DATA

Housing	Ø 65 mm, Polycarbonate black (RAL 9005) or grey (RAL 7035)
Lens	Polycarbonate, ribbed inside clear
Type of mounting	any
Panel size	22x1,25 mm (M22) and 30.5 mm (with adapter), mounting depth 34 mm
Connection technology	Screw/plug-in terminal 2,5 mm <sup>2</sup>
Leakage current	0,003 A (PLC-suitable)
Beacon type	LED steady beacon - 2 colours, in each case 1 colour visible across whole lens
Light source	12 LEDs
Strobe/flash frequency	1 Hz
Number of colours	2
Duty cycle	100 %
Service life	Light source: 100.000 h
Operating temperature	-25°C/+50°C
Degree of protection	IP65 & UL Type 4/4x/13
Weight	75 g



# IDL

## ORDER DATA

Lens colour	Nominal voltage	Voltage range (V)	Nominal current (A)	Housing colour	
				black	grey
clear	24 V AC/DC	+/- 10 %	0,071	802 626 405	802 226 405
	110-120 V AC	+/- 10 %	0,061	802 626 310	802 226 310
	230-240 V AC	+/- 10 %	0,061	802 626 313	802 226 313



ADM30

## ACCESSORIES

Type	Type of accessory	Weight	Order number
ADM30	Adapter for M30.5 for 30.5 mm holes	8 g	812 500 900