

6

5

4

3

2

1

D

D

C

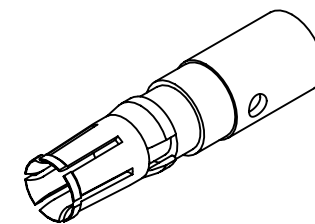
C

B

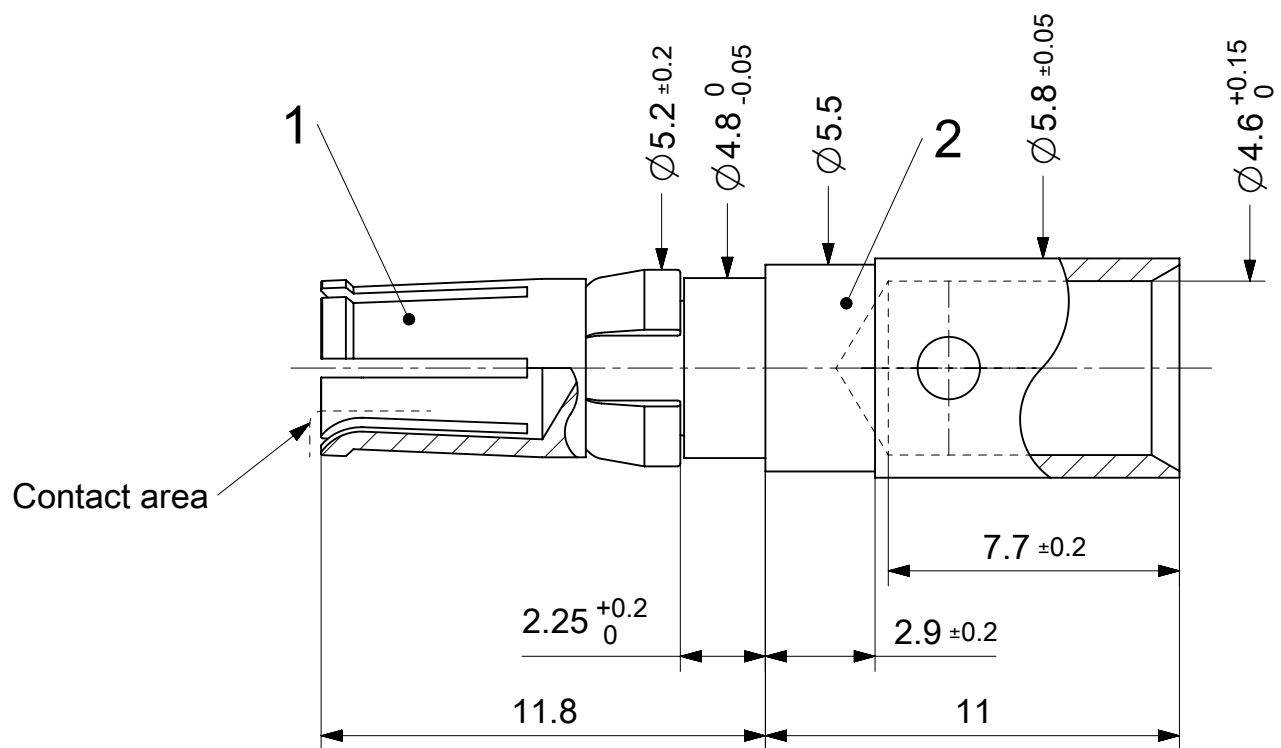
B

A

A



2:1



RoHS compliant  
by exemption

Crimping tools see document 2195600660

1727040153	FMP004S103	103
1731120384	FMP004S106	106
1731120037	FMP004S204	204
2186230003	FMP004S306	306 (Lead free)
Material Number	FCT Part Number	Material + Finish See extra sheet

UNLESS OTHERWISE SPECIFIED DIMENSIONS FOR REFERENCE ONLY

REPLACEMENT FOR DOCUMENT NUMBER: FMP004S

FUNCTIONAL SYMBOLS	THIS DRAWING CONTAINS INFORMATION THAT IS PROPRIETARY TO MOLEX ELECTRONIC TECHNOLOGIES, LLC AND SHOULD NOT BE USED WITHOUT WRITTEN PERMISSION		CURRENT REV DESC: A24297				
	DIMENSION UNITS	SCALE					
$\frac{F}{A} = 0$	mm	5:1					
$\frac{F}{E} = 0$	GENERAL TOLERANCES (UNLESS SPECIFIED)						
$\frac{F}{P} = 0$	ANGULAR TOL	± °	EC NO: 686737	FCT 40A HIGH POWER CONTACT FOR D-SUB PRODUCT CUSTOMER DRAWING			
DIVISIONAL SYMBOLS	4 PLACES	±	DRWN: SKANDB 2021/10/28				
	3 PLACES	±	CHK'D: MTEUBEL 2021/11/29				
	2 PLACES	±	APPR: MTEUBEL 2021/11/29				
	1 PLACE	±	INITIAL REVISION:	DOCUMENT NUMBER	DOC TYPE	DOC PART	REVISION
	0 PLACES	±	DRWN: VLOKESHA 2021/03/30	1727040153	PSD	000	B
			APPR: MTEUBEL 2021/05/11	MATERIAL NUMBER	CUSTOMER	SHEET NUMBER	
	DRAFT WHERE APPLICABLE MUST REMAIN WITHIN DIMENSIONS	FIRST ANGLE PROJECTION	DRAWING	SERIES	MATERIAL NUMBER	CUSTOMER	SHEET NUMBER
			A4-SIZE	172704	SEE TABLE	GENERAL MARKET	1 OF 1

DOCUMENT STATUS	P1	RELEASE DATE	2021/11/29	13:31:30
-----------------	----	--------------	------------	----------

6

5

4

3

2

1

FORMAT: master-ib-prod-A4  
REVISION: J  
DATE: 2020/01/14