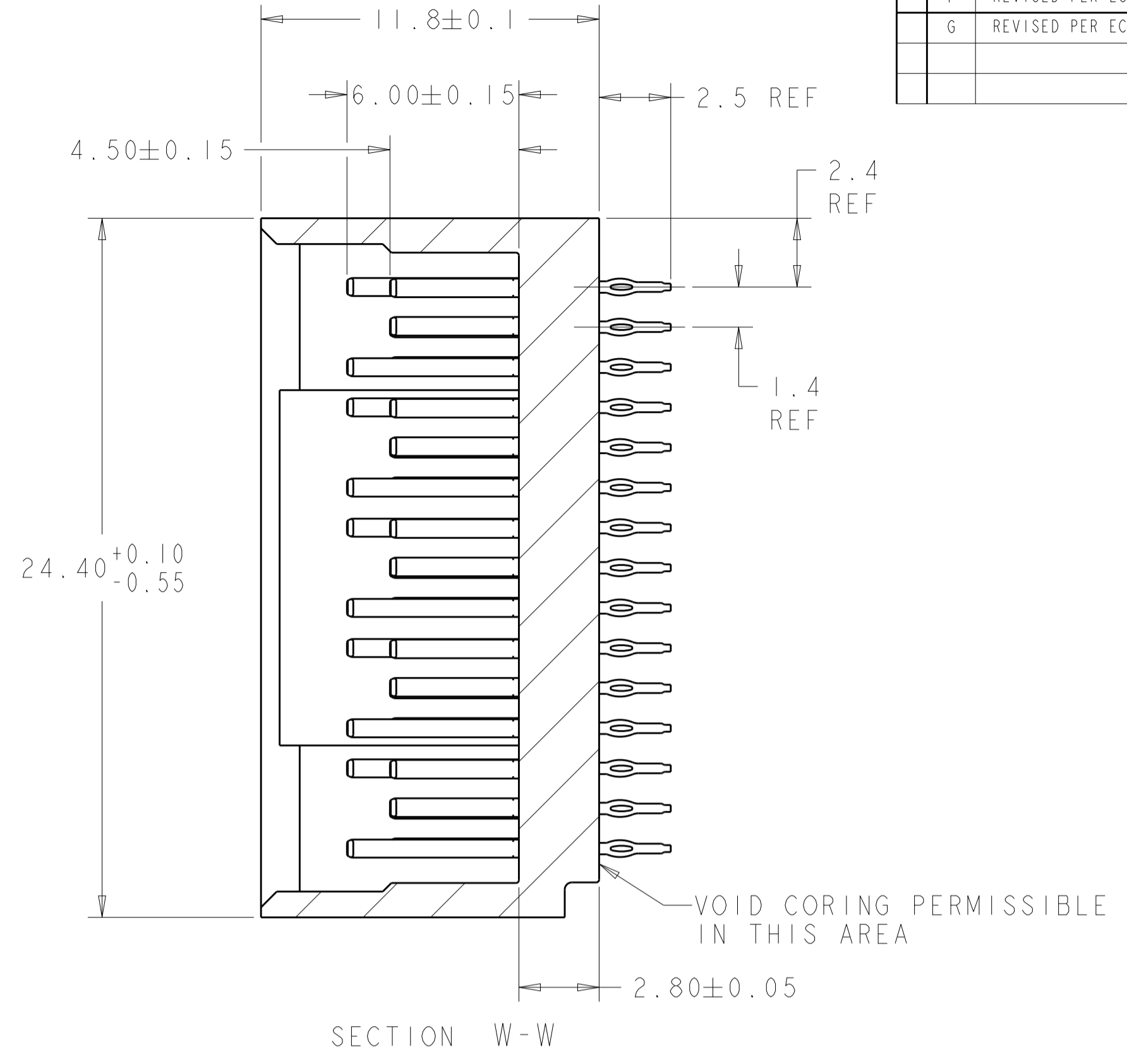
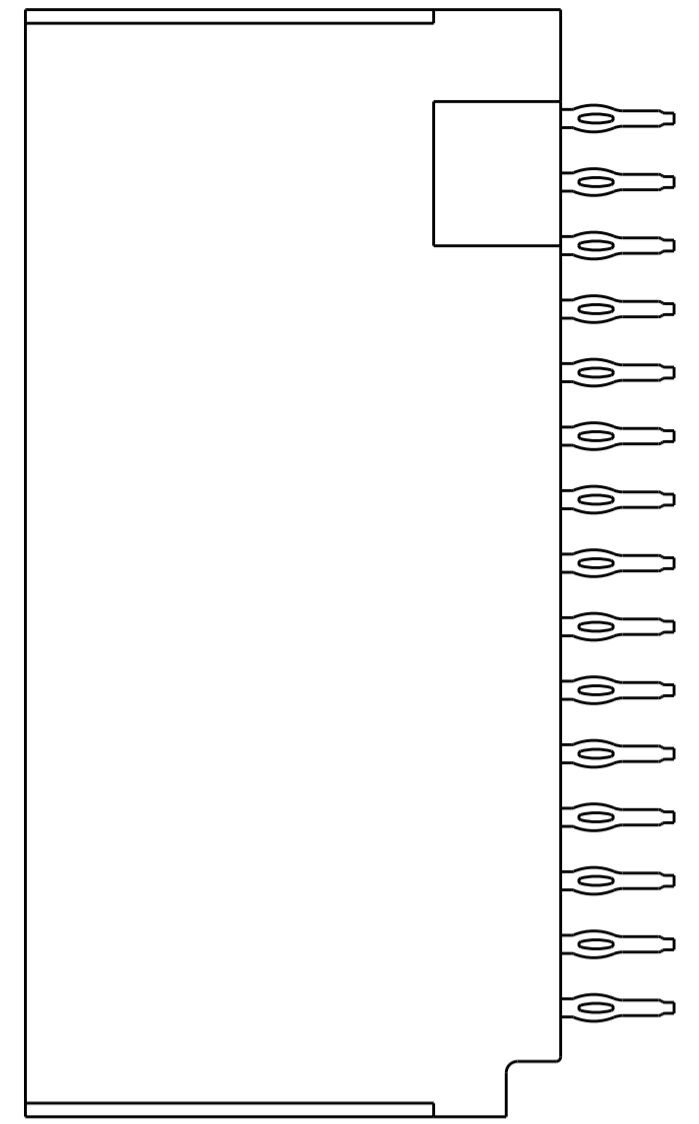
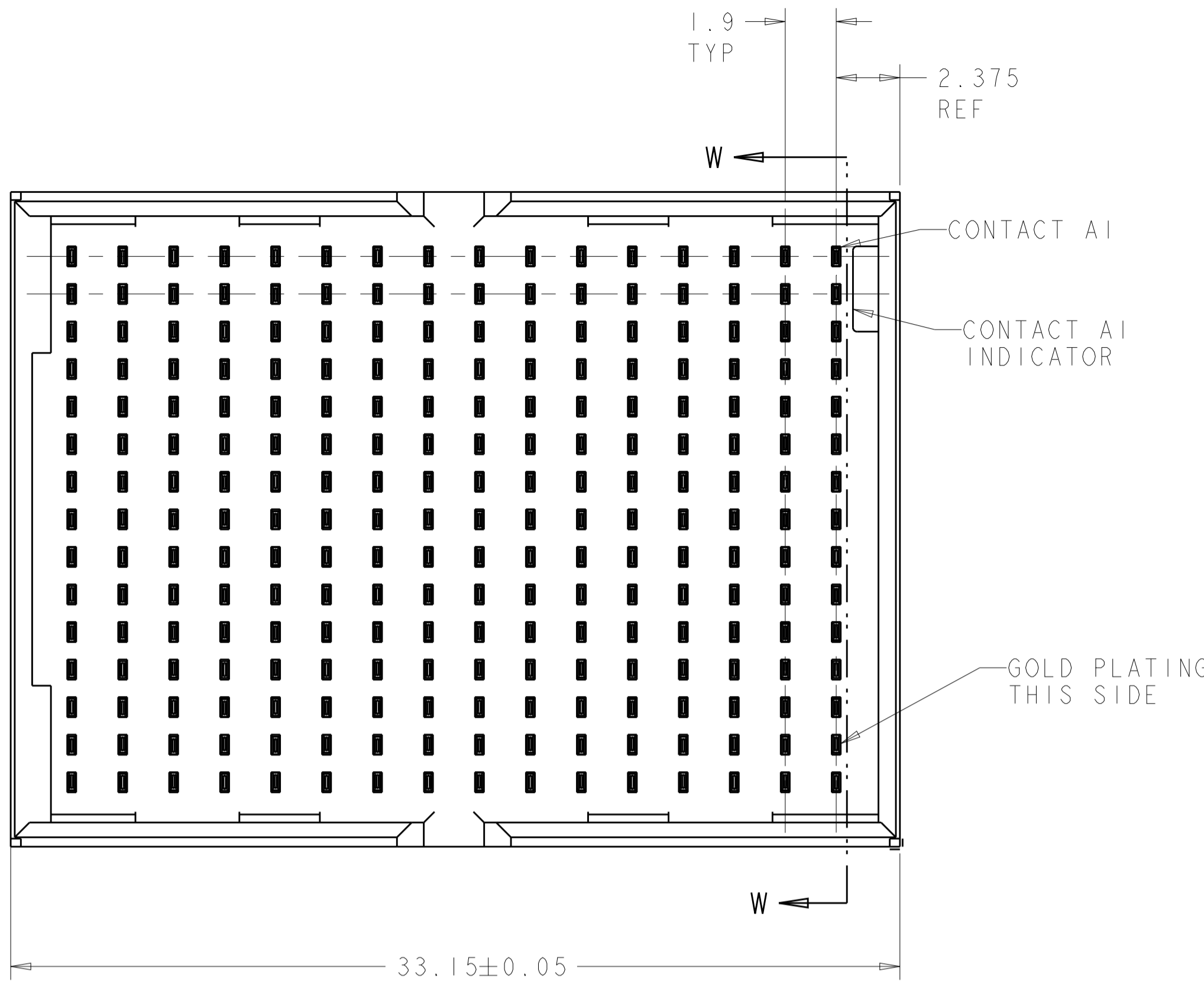
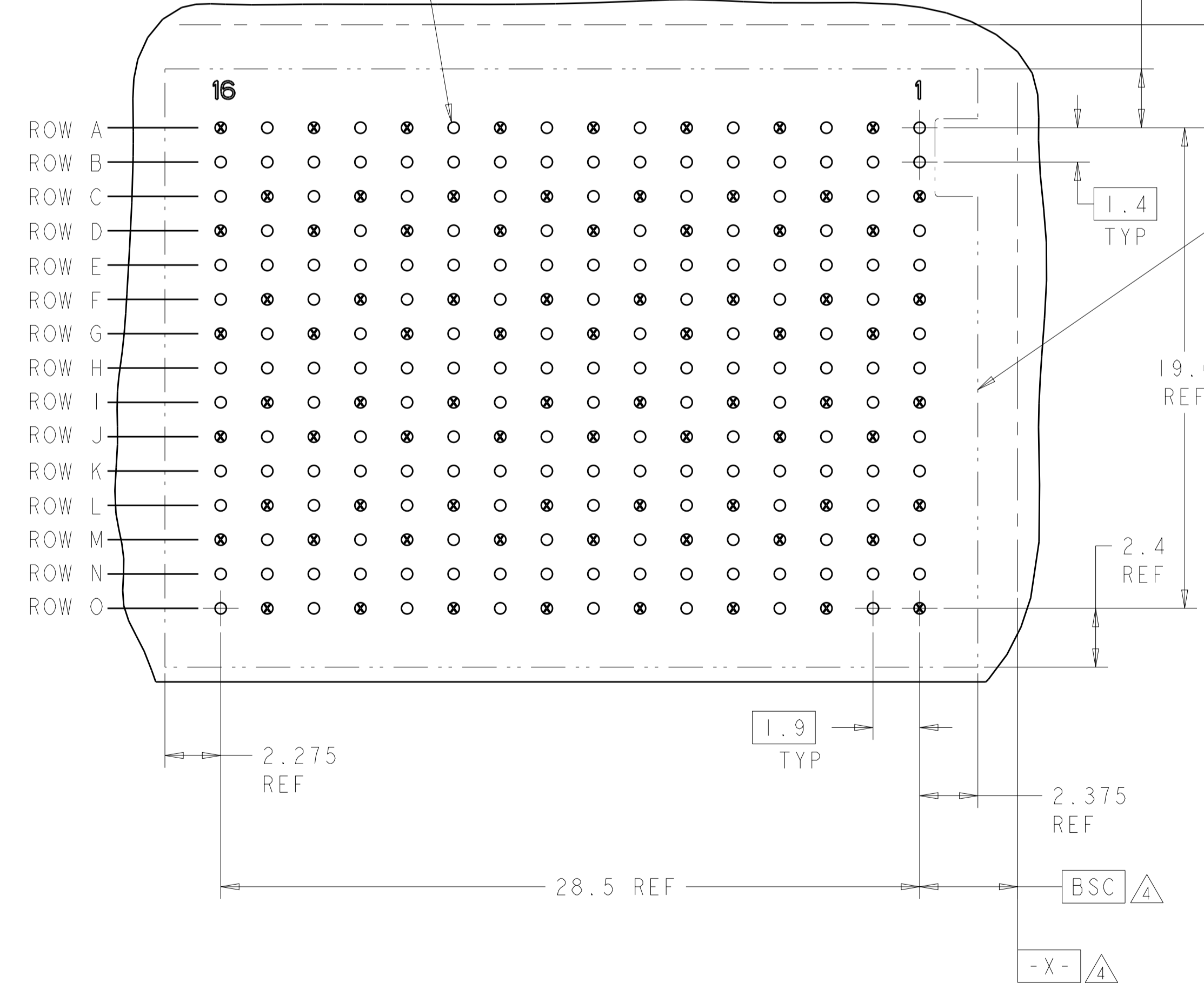


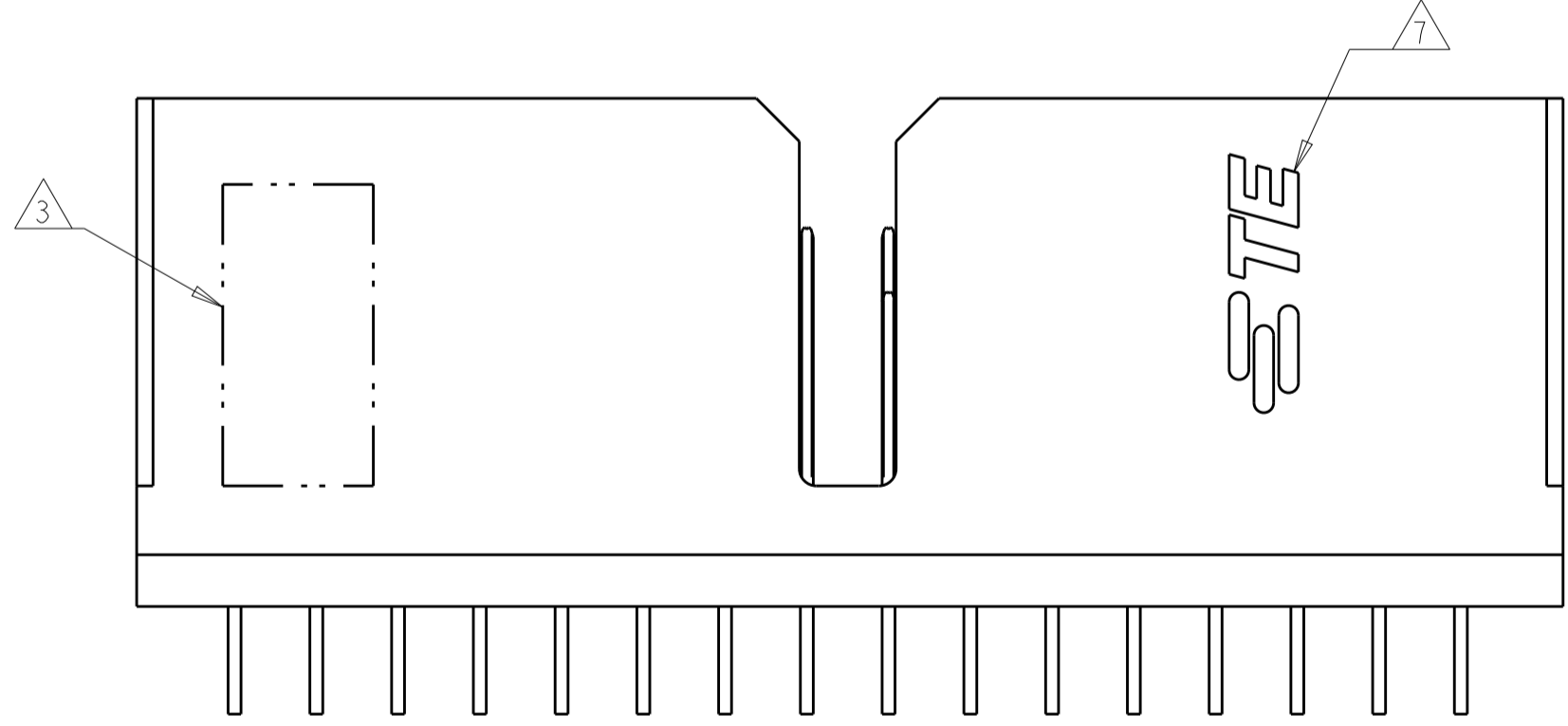
LOC	DIST	REVISIONS			
P	LTN	DESCRIPTION	DATE	DWN	APVD
F		REVISED PER ECO-13-010626	31JUL2013	KH	RP
G		REVISED PER ECO-19-009248	04JUL2019	AP	SY



$\Delta \oplus \ominus \varnothing 0.05 \text{ X Y}$   
FINISHED HOLE SIZE AND PLATED THRU HOLES



- $\Delta$  MATERIAL:  
CONTACT - PHOS BRONZE  
HOUSING - LCP, UL 94V-0, COLOR - BLACK
- $\Delta$  FINISH:  
CONTACT AREA FINISH CONFORMS TO THE REQUIREMENTS OF TE PRODUCT SPECIFICATION 108-2303; BASED ON TELCORDIA GR-1217-CORE FOR SYSTEM QUALITY LEVEL III, APPLICATIONS IN CONTROLLED ENVIRONMENTS (CENTRAL OFFICE).  
COMPLIANT PIN AREA- 0.5 $\mu$ m MIN MATTE TIN OVER 1.27 $\mu$ m MIN NICKEL.
- $\Delta$  CONNECTOR MARKED WITH PART NUMBER, DATE CODE AND STANDARD IN APPROXIMATE AREA SHOWN
- $\Delta$  DATUMS AND BASIC DIMENSIONS ESTABLISHED BY CUSTOMER.
- 5. CONTACT AREA LUBRICATED WITH BELLCORE APPROVED LUBRICANT. TECHNICAL REFERENCE GR-1217-CORE, ISSUE 1, NOVEMBER 1995.
- $\Delta$  REFERENCE APPLICATION SPEC 114-13202 FOR RECOMMENDED PLATED THRU HOLE DIAMETER AND PLATING THICKNESSES.
- $\Delta$  SHOWN LOGO OR OTHER TE OWNED LOGOS IN APPROXIMATE AREA.



$\circ$  = SIGNAL  
 $\otimes$  = GROUND  
RECOMMENDED PC BOARD LAYOUT BACKPLANE, COMPONENT SIDE SHOWN  
SCALE 6:1

1934332-1  
PART NUMBER

THIS DRAWING IS A CONTROLLED DOCUMENT.		DWN B.MCMMASTER 06JUN2007	NAME HEADER ASSEMBLY, DOUBLE WALL, 5 PAIR 16 COLUMN TinMan
DIMENSIONS:		CHK W.DAVIS 06JUN2007	RESTRICTED TO
mm	TOLERANCES UNLESS OTHERWISE SPECIFIED:	APVD W.DAVIS 06JUN2007	SIZE A100779C=1934332
$\varnothing$	0 PLC $\pm$	PRODUCT SPEC	SCALE 6:1
$\varnothing$	1 PLC $\pm$	APPLICATION SPEC	SHEET 1 OF 1
$\varnothing$	2 PLC $\pm$	WEIGHT	REV G
$\varnothing$	3 PLC $\pm$	ANGLES	
$\varnothing$	4 PLC $\pm$	FINISH	
MATERIAL		CUSTOMER DRAWING	