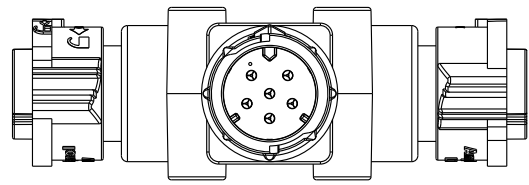
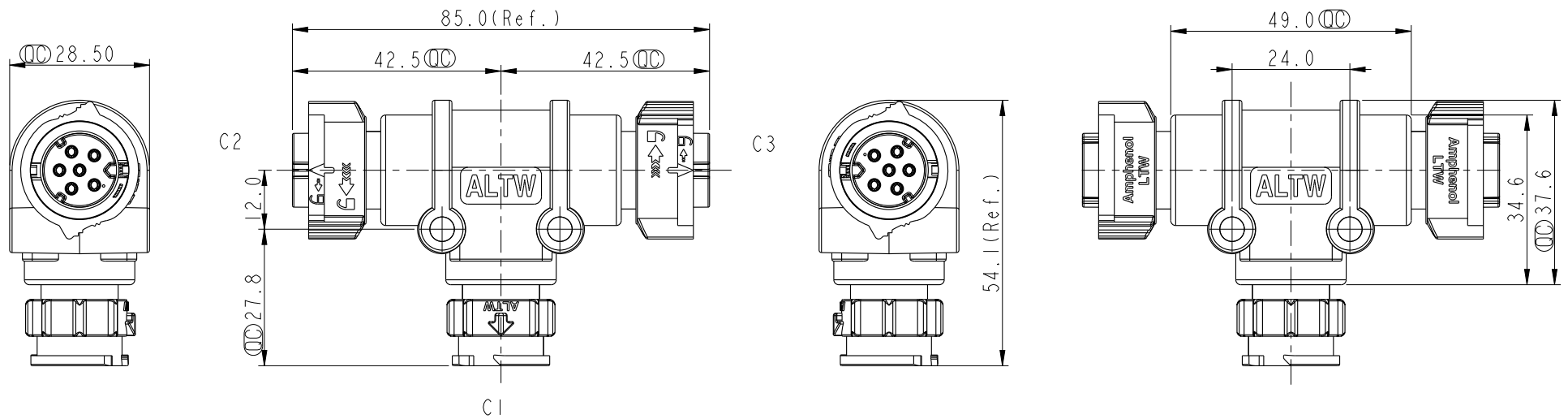



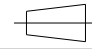
THIS DOCUMENT IS SUBJECT TO CHANGE WITHOUT NOTICE. IT IS CONFIDENTIAL AND A PROPERTY OF Amphenol LTW. DISCLOSURE TO THIRD PARTY HAS TO BE AUTHORIZED BY Amphenol LTW.

REV.	DESCRIPTION



ALTW
CONFIDENTIAL
2019-07-30
R&D DEPT.

Notes:
 *C1~C3
 IP: IP68(IM/24H)
 Connector: Thermoplastic
 Pin: Copper Alloy
 Nut: Thermoplastic

UNIT: mm  
 TOLERANCE
 ±0.5mm

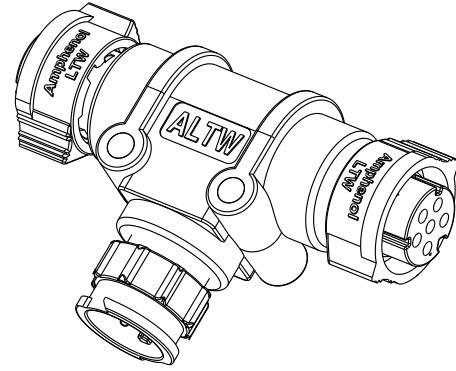
TITLE T Adaptor X-Lok, C Size			
SCALE 1:1	SIZE A4	SHEET 1 OF 2	
REV. 01	WC-REV. .0	☉: Inspection item	

Amphenol LTW
安費諾亮泰企業股份有限公司

ITEM NO	DRAWN BY Ouyang	DATE 2019-07-30
DWG NO AB-CB-XXXXXX-MFF-TQ001	CHECKED BY Jerry	DATE 2019-07-30
CUSTOMER ALTW	APPROVED BY Fred	DATE 2019-07-30

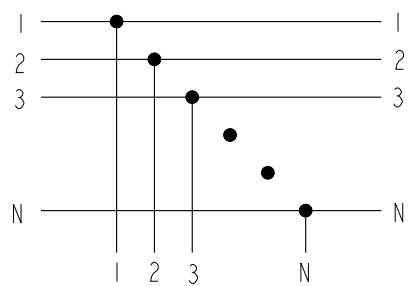
REV.	DESCRIPTION

AB-CB-XXXXXX-MMF-TQ001



Connector Type:

- 04: 4Pin
- 05: 5Pin
- N: N Pin



Connection Diagram

	Pin Assignments Front View					
	4PIN		5PIN		6PIN	
MALE						
Female						
Pin Out	Pin#	Color	Pin#	Color	Pin#	Color
	Pin1	Black(黑)	Pin1	Black(黑)	Pin1	Black(黑)
	Pin2	Brown(棕)	Pin2	Brown(棕)	Pin2	Brown(棕)
	Pin4	Orange(橙)	Pin3	Red(紅)	Pin3	Red(紅)
	Pin5	Yellow(黃)	Pin4	Orange(橙)	Pin4	Orange(橙)
				Pin5	Yellow(黃)	Pin5
					Pin6	Green(綠)

UNIT:mm		
TOLERANCE	±0.5mm	

TITLE T Adaptor X-Lok, C Size		
SCALE 1:1	SIZE A4	SHEET 2 OF 2
REV. A	WC-REV. .0	: Inspection item

Amphenol LTW
安費諾亮泰企業股份有限公司

ITEM NO	DRAWN BY Ouyang	DATE 2019-07-30
DWG NO AB-CB-XXXXXX-MFF-TQ001	CHECKED BY Jerry	DATE 2019-07-30
CUSTOMER ALTW	APPROVED BY Fred	DATE 2019-07-30

THIS DOCUMENT IS SUBJECT TO CHANGE WITHOUT NOTICE. IT IS CONFIDENTIAL AND A PROPERTY OF Amphenol LTW. DISCLOSURE TO THIRD PARTY HAS TO BE AUTHORIZED BY Amphenol LTW.