

6

5

4

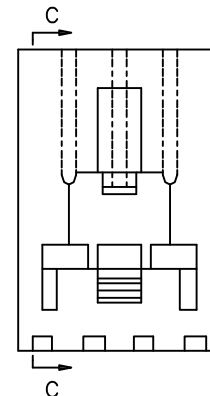
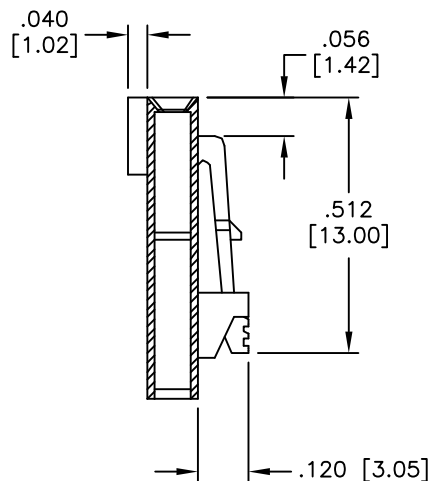
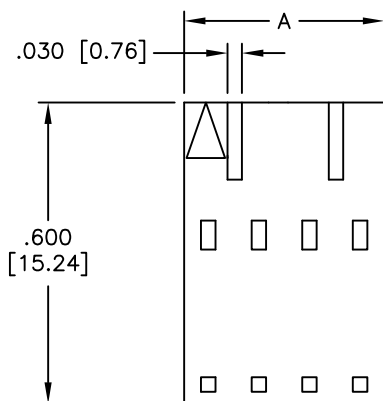
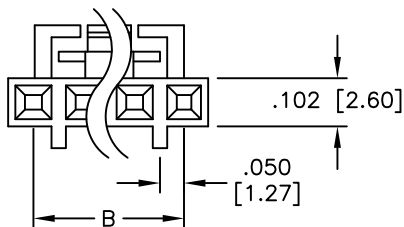
3

2

1

APPROVED: _____
 DATE: _____ TITLE: _____

Rev	AWO #	Description	Date	Appr
-		RELEASED	4/7/05	
A		FIXED PART NUMBER	04/24/06	BAS



SECTION C-C

Positions: 2 thru 18
 A = .100 [2.54] x No. of Positions
 B = .100 [2.54] x No. of Spaces

SPECIFICATIONS:

Material:
 Insulator: PBT, glass reinforced, rated UL 94V-0
 Insulator color: Black
 Electrical:
 Voltage rating: 250 VAC/DC
 Current rating: 3A AC/DC.
 Insulation resistance: 1,000 Mohms min @ 500 VDC
 Dielectric withstanding voltage: 500 VAC for 1 minute
 Temperature Rating:
 Operating temperature: -25°C to +85°C
 Environmental:
 Lead free, RoHS compliant



UNLESS OTHERWISE SPECIFIED ALL DIMENSIONS ARE INCHES [MM] TOLERANCES: EXCEPT AS NOTED		ADAM TECH 909 Rahway Avenue, Union, NJ 07083 Phone: 908-687-5000 Fax: 908-687-5710	
INCHES HOLES .X ± .10 Ø.X ± .10 .XX ± .020 Ø.XX ± .015 .XXX ± .015 Ø.XXX ± .010			
APPROVALS		TITLE	
DATE		.100 [2.54] LATCHING HOUSING	
DRAWN	SS	4/7/05	
CHECKED			
APPROVED			
SIZE	PART NO.	REV.	
X	CDH-XX	-	
REF:	SCALE: NTS	SHEET 1 OF 1	

6

5

4

3

2

1