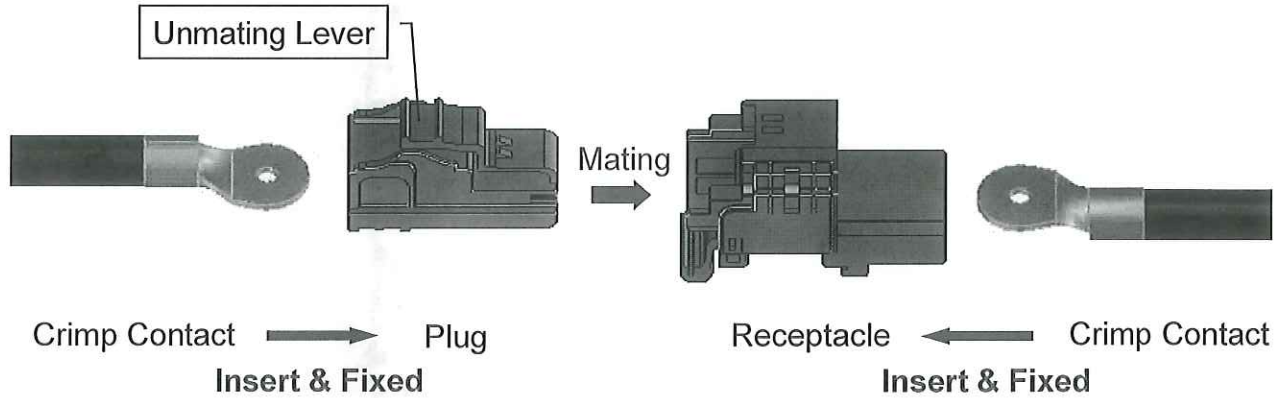


Quick & Secure One-Step Connection

- ◆ All the connection is completed just inserting the components.



NOTE: Retention force of the crimp contact is expected to be approx. 150 N.

*Image: DIN rail mount type

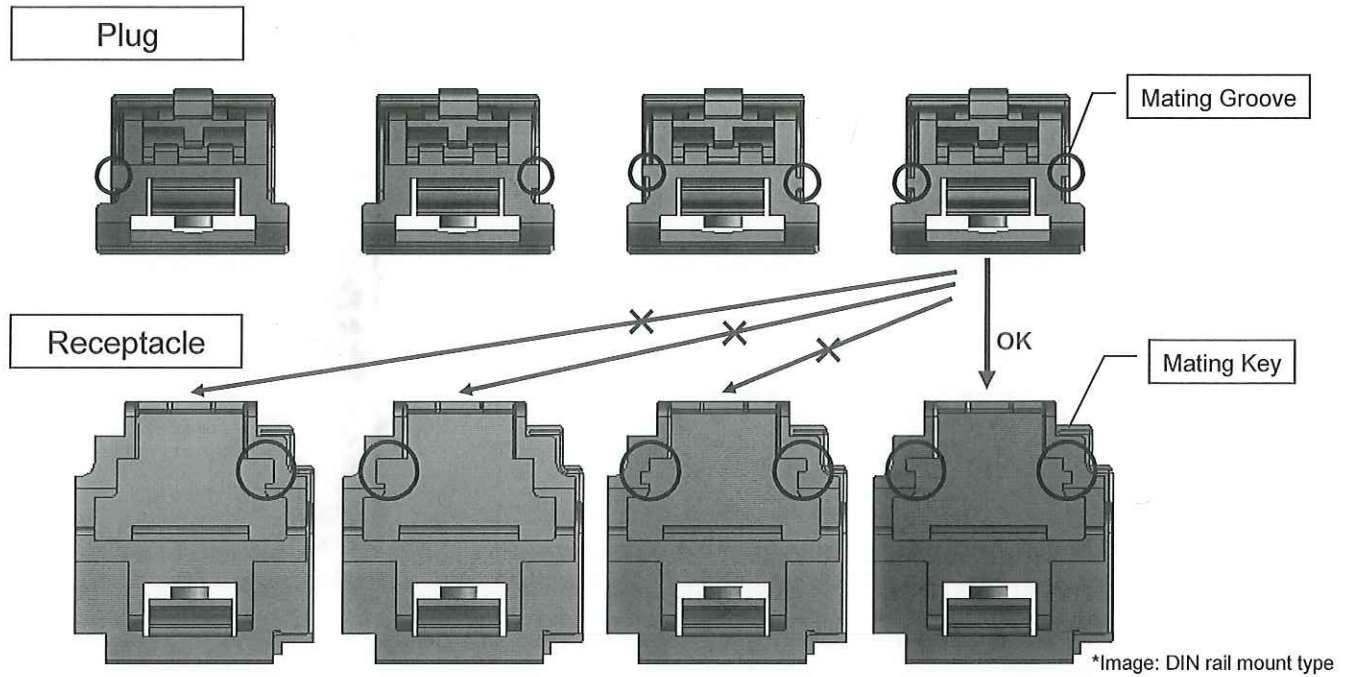
One-step assembly & mating

Specifications herein are subject to change without notice.
Contact Hirose for latest specifications, drawings, or availabilities.

Issued: Mar. 5, 2013

HRS HIROSE
ELECTRIC
CO.,LTD.

Mating Keys for Multiple Use



4 types of keyings are available to prevent mis-mating in multiple connectors.

Specifications herein are subject to change without notice.
Contact Hirose for latest specifications, drawings, or availabilities.

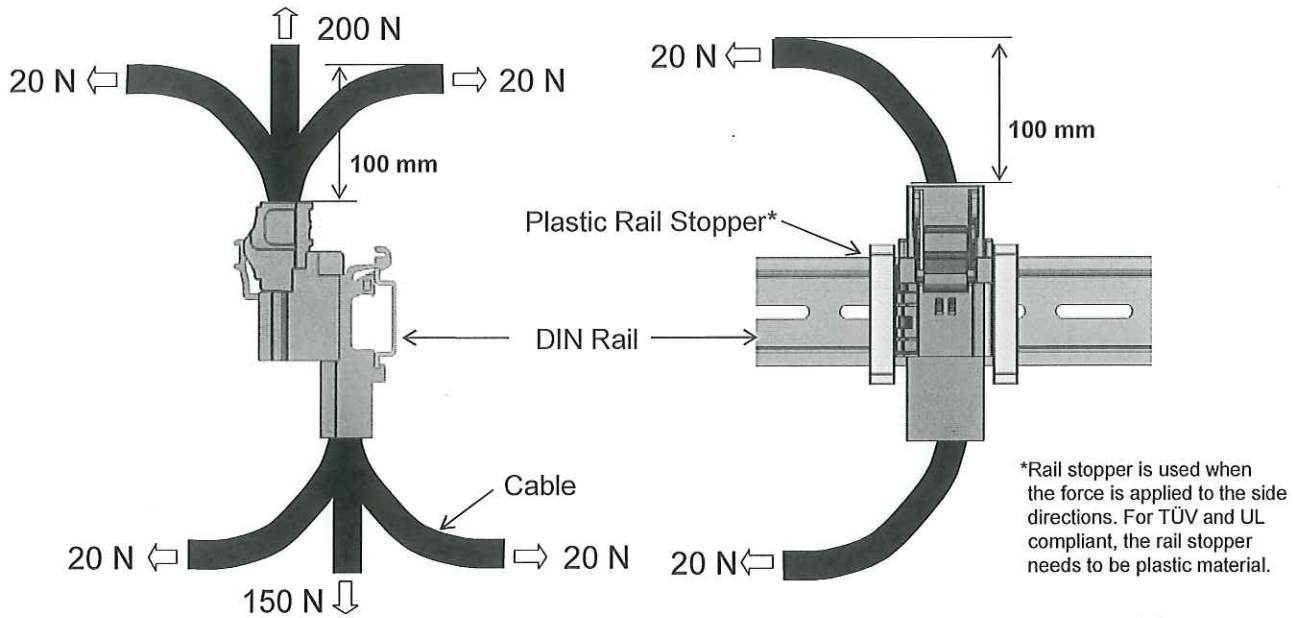
Issued: Mar. 5, 2013

HRS HIROSE
ELECTRIC
CO.,LTD.

Allowable Mechanical Stress to the Connector

- ◆ Stabilize the cable with cable tie and such, and keep the mechanical stress applied to the connector by cabling below the specified forces as shown to avoid connector breakage.

[Measurement Conditions]
 Cabling space is supposed 100 mm from connector edge.
 Cable used for the evaluation: Hitachi Cable, 600 V MLFC 38 mm²
 *Strength varies depending on the cable type.



*Rail stopper is used when the force is applied to the side directions. For TÜV and UL compliant, the rail stopper needs to be plastic material.

Specifications herein are subject to change without notice.
 Contact Hirose for latest specifications, drawings, or availabilities.

Issued: Mar. 5, 2013

HRS HIROSE
 ELECTRIC
 CO.,LTD.