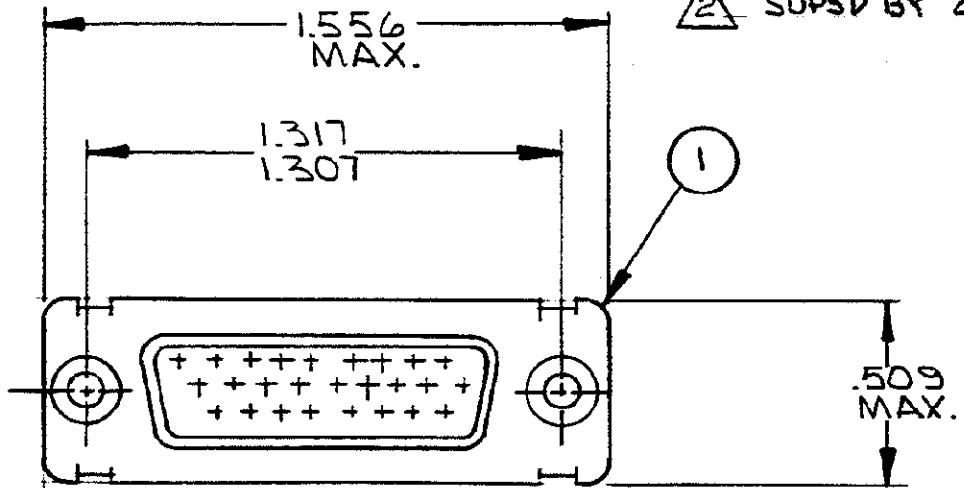


© 1971 BY AMP INCORPORATED. ALL RIGHTS RESERVED. AMP PRODUCTS COVERED BY PATENTS AND/OR PATENTS PENDING.

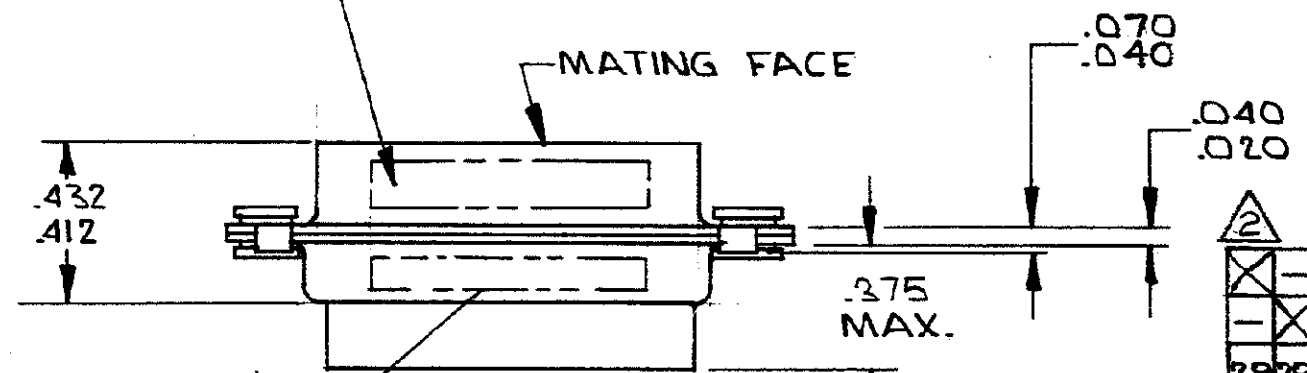
REVISIONS				
ZONE	LTR	DESCRIPTION	DATE	APPROVED
	A	ITEM 2 WAS 91054-1 . ECN G878	3/19/74	JGR
	B	REV. PER ECN D-105	7/11/74	J
	C	REV PER ECN DF-0021:DF-0160 & R2670	11-19-83	EAM
	D	ECO-08-023688	PY 11-08	BW

Unpublished copy not to be reproduced nor published without written permission of AMP Incorporated

- 1. APPROPRIATE MILITARY P/N (KIT) IS MARKED ON PACKAGE
- 2. SUPSD BY 204539-2 & 91067-1



MFG'S NAME, BRAND OR LOGO AND DATE CODE MARKED NEAR SIDE



MIL P/N M24308/4-308 F MARKED FAR SIDE

204539	-	-	MILITARY P/N M24308/4-319F. MARKED ON PACKAGE			
204539	-	-	MILITARY P/N M24308/4-308F. MARKED ON PACKAGE			
204539	-	B	204370-2	CONTACT, PIN, SIZE 22D	3	
204539	-	B	91067-1	INSERTION / EXTRACTION TOOL	2	
204539	-	C	204527-1	PLUG ASSY, SIZE #2	1	
204539	-	-	DWG. SIZE	NUMBER	NAME	ITEM NO.

204539	204539	204539	UNLESS OTHERWISE SPECIFIED DIMENSIONS ARE IN INCHES	CONTRACT NO.	AMP INCORPORATED HARRISBURG, PENNSYLVANIA
			TOLERANCES ON: DECIMALS ± # ANGLES ± #	DR. <i>R.P. Matthew 7-15/71</i>	
MATERIAL #			OTHER APPD	NAME KIT, "HDD" SERIES, PLUG, SIZE #2 WITH FLOATING BUSHINGS	
			DSGN APPD	SIZE B	CODE IDENT NO. 00779
1.			SCALE #	SHEET 1 OF 1	