

Tous droits strictement réservés. Reproduction ou communication o des liers interdite sous quelque forme que ce soit sans autorisation écrite du propriétaire. Propriété de c FCI. Droits de reproduction FCI.



All rights strictly reserved. Reproduction or issue to third parties in any form whatever is not permitted without written authority from the proprietor. Property of FCI. Copyright FCI.

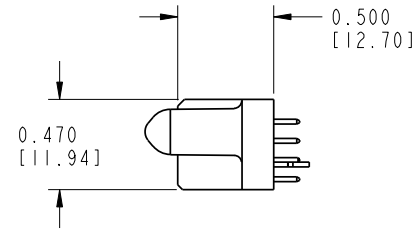
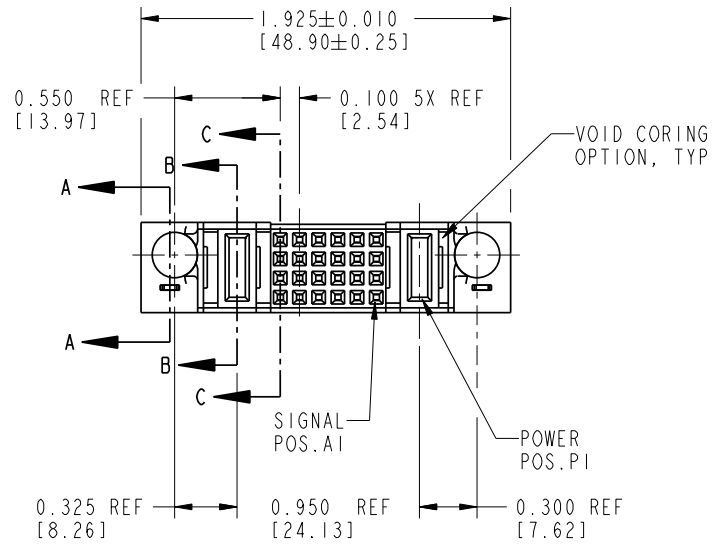
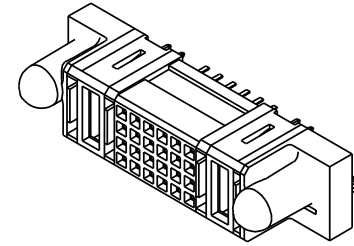
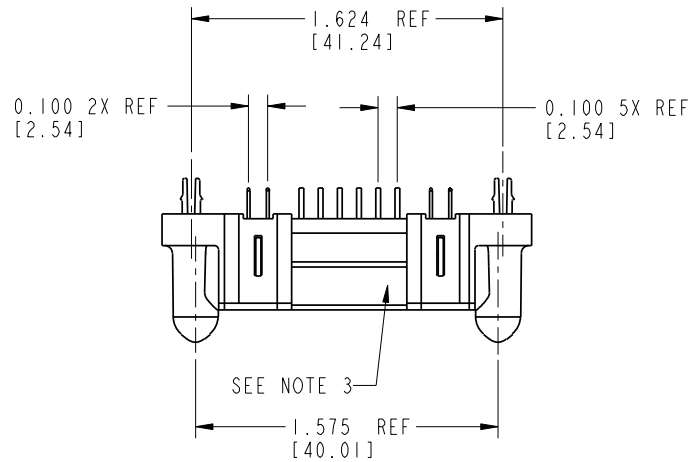
1 | 2

3 |

4

PRODUCT NUMBER

51659-001--  
NOTE: ②



mat'l code				NOTE 1		tolerances unless otherwise specified		CUSTOMER		FCI	
lir	ecn no.	dr	date	linear	.XX±.01/0.X±0.3	projection		COPY		www.fciconnect.com	
A	V91309	CHB	06-01-99	angles	.XXX±.005/0.XX±0.13	INCH/MM		title		IP + 24S + IP	
B	V00794	MSG	03-28-00	dr	.XXX±.002/.XXX±.051	scale		product family		PWRBLADE	
C	V01861	EKK	07-26-00	enrg	0°±2°	1:1		size		213	
D	DG05-0238	SJ	07/22/05	chr				dwg no		51659	
E	DG06-0272	JUL1A	07/04/06	appd				code		1 of 4	
sheet index		revision sheet		E	E	E	E				
1		2		3	4						

A

A

B

B

1 | 2

Pro/E

PDM: Rev: E

STAT: Released

Printed: Dec 20, 2010

code code 22556

4

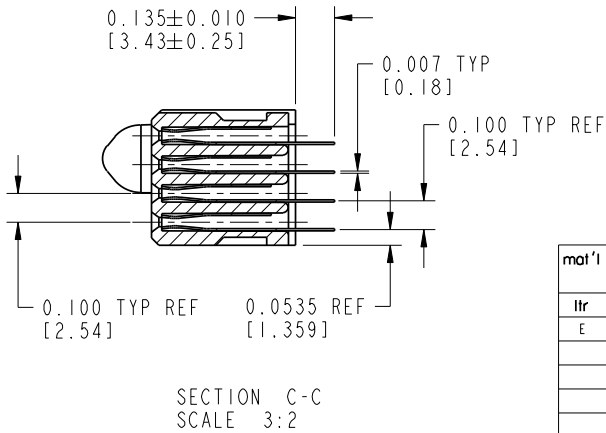
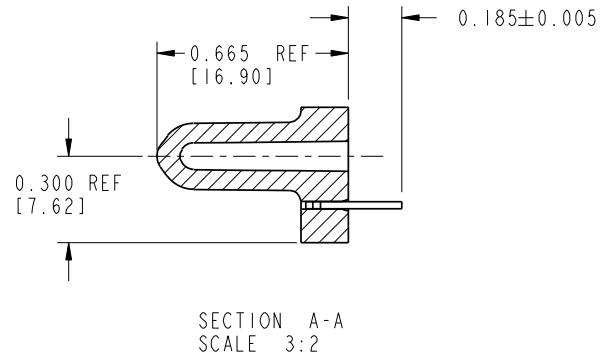
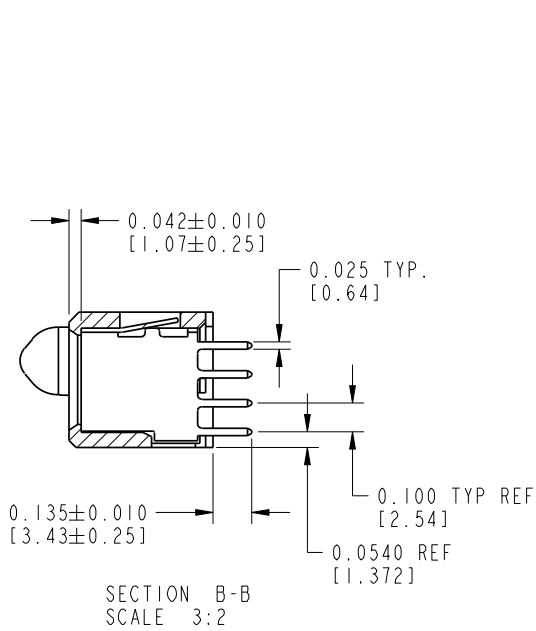
Tous droits strictement réservés. Reproduction ou communication a des tiers interdite sous quelque forme que ce soit sans autorisation écrite du propriétaire. Propriété de c FCI. Droits de reproduction FCI.



All rights strictly reserved. Reproduction or issue to third parties in any form whatever is not permitted without written authority from the proprietor. Property of FCI. Copyright FCI.

PRODUCT NUMBER

51659-001  
NOTE: (2)



mat'l code		tolerances unless otherwise specified		CUSTOMER		FCI	
lir	ecn no.	dr	date	COPY		www.fciconnect.com	
E				linear	projection	title IP + 24S + IP	
				angles		VERTICAL SOLDER RECEPTACLE	
				dr		product family	PWRBLADE
				enrg	size	dwg no	213
				chr	scale	A	sheet
				appd	3:2	51659	?
sheet index	revision sheet						

Pro/E

PDM: Rev: E

STAT: Released

Printed: Dec 20, 2010

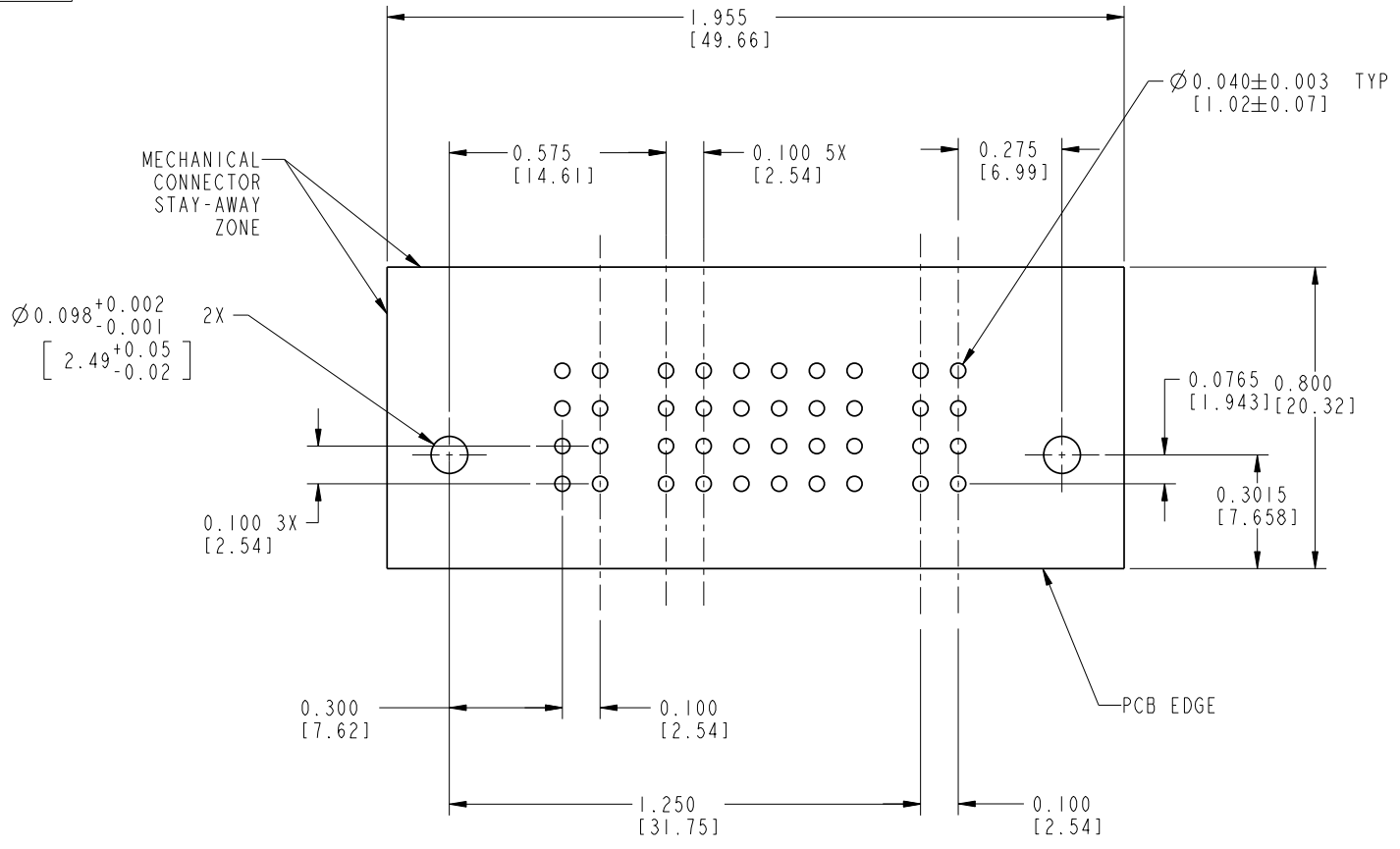
Tous droits strictement réservés. Reproduction ou communication a des tiers interdite sous quelque forme que ce soit sans autorisation écrite du propriétaire. Propriété de c FCI. Droits de reproduction FCI.



All rights strictly reserved. Reproduction or issue to third parties in any form whatever is not permitted without written authority from the proprietor. Property of FCI. Copyright FCI.

1 | 2 | 3 | 4

PRODUCT NUMBER  
51659-001--  
NOTE: ②



RECOMMENDED PCB LAYOUT

form no. 7530-001-103

1 | 2

Pro/E

PDM: Rev: E

STAT: Released

Printed: Dec 20, 2010

mat'l code		tolerances unless otherwise specified		CUSTOMER		FCI	
lir	ecn no.	dr	date	COPY		www.fciconnect.com	
E				linear	projection	title IP + 24S + IP	
				.XX±.01/0.X±0.3		VERTICAL SOLDER RECEPTACLE	
				.XXX±.005/0.XX±0.13		product family	PWRBLADE
				.XXX±.002/.XX±.051	INCH/MM	size	213
				angles	scale	dwg no	sheet
				0°±2°	2:1	A	3
				dr	51659		
				enrg			
				chr			
				appd			
sheet index	revision sheet						

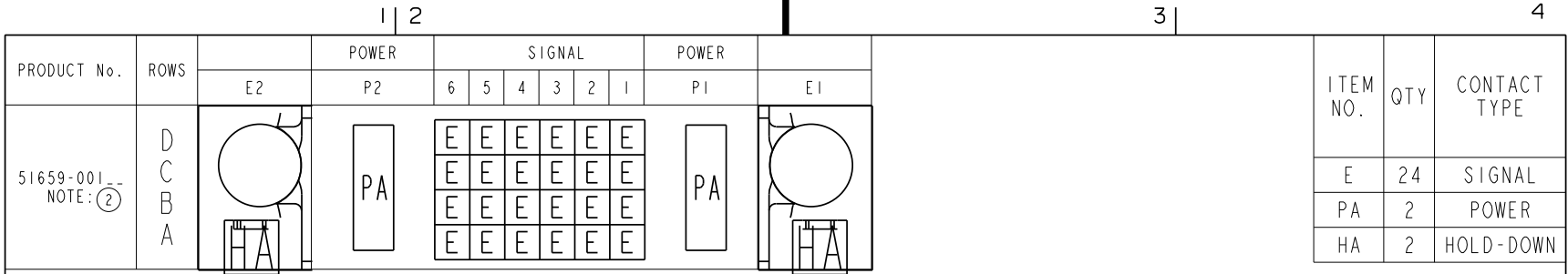
B

code code 22556

Tous droits strictement réservés. Reproduction ou communication o des liers interdite sous quelque forme que ce soit sans autorisation écrite du propriétaire. Propriété de c FCI. Droits de reproduction FCI.



All rights strictly reserved. Reproduction or issue to third parties in any form whatever is not permitted without written authority from the proprietor. Property of FCI. Copyright FCI.



ITEM NO.	QTY	CONTACT TYPE
E	24	SIGNAL
PA	2	POWER
HA	2	HOLD-DOWN

CONNECTOR NOTES:

- HOUSING MATERIAL: GLASS FILLED HIGH TEMP THERMOPLASTIC PER UL94 V-0.  
SIGNAL CONTACT MATERIAL: COPPER ALLOY  
POWER CONTACT MATERIAL: COPPER ALLOY
- 51659-001;51659-001LF;51659-001GLF PLATING SPEC. SEE PRINT:10064183
- MANUFACTURER NAME, P/N, AND LOT CODE TO APPEAR ON THIS SURFACE.

PCB NOTES:

- ALL DIMENSIONS ARE BASIC UNLESS OTHERWISE SPECIFIED
- ALL THROUGH HOLES ARE LOCATED WITH A TRUE POSITION OF 0.004"
- ALL DIAMETERS ARE FINISHED HOLE SIZES
- $\varnothing 0.0453/1.151$  DRILLED HOLES, PLATED WITH 0.0003/0.007 MIN. SnPb OVER 0.001/1.03 TO 0.003/0.08 Cu PLATING TO ACHIEVE A  $\varnothing 0.040 \pm 0.003/1.02 \pm 0.07$  HOLE.

mat'l code		tolerances unless otherwise specified		CUSTOMER		FCI	
lir	ecn no.	dr	date	COPY		www.fciconnect.com	
E				linear	.XX±.01/0.X±0.3	projection	title IP + 24S + IP
					.XXX±.005/0.XX±0.13		VERTICAL SOLDER RECEPTACLE
				angles	.XXX±.002/.XX±.051		
					0°±2°		product family PWRBLADE
				dr	C. BAROT 06-01-99		code 213
				enrg	J. BROWN 06-01-99	size A	sheet 4
				chr	J. BROWN 06-01-99	scale 2:1	
				appd	J. BROWN 06-01-99		
sheet index	revision sheet						